

INSTALLATION INSTRUCTIONS

SSB, SSL &
SSR SEATS

IMPORTANT: PROPER BACKING MATERIAL AND MOUNTING HARDWARE MUST BE USED TO MOUNT THIS SHOWER SEAT FOR SAFE USE AND AS REQUIRED BY A.D.A. GUIDELINES.

This seat should be installed as an assembled unit.

PLEASE READ THESE INSTALLATION INSTRUCTIONS THOROUGHLY PRIOR TO INSTALLING THIS SHOWER SEAT

IMPORTANT: THIS PRODUCT SHOULD ONLY BE INSTALLED BY QUALIFIED AND TRAINED PERSONNEL

FAILURE TO FOLLOW THESE INSTRUCTIONS COULD LEAD TO IMPROPER INSTALLATION OF THE SHOWER SEAT, STRUCTURAL AND/OR WATER DAMAGE TO THE WALL AND IN-WALL SUPPORT STRUCTURES, AND/OR SERIOUS BODILY INJURY IN USE. IN ADDITION, ALL WARRANTIES, EXPRESS OR IMPLIED, WILL BE NULL & VOID DUE TO IMPROPER INSTALLATION OF THIS PRODUCT. THE MANUFACTURER DOES NOT ASSUME ANY LIABILITY FOR DAMAGE RESULTING FROM SERVICES PERFORMED BY OTHERS, OR FAULTY INSTALLATION, MISUSE OR MISAPPLICATION OF GOODS.

THIS PRODUCT IS DESIGNED TO MEET OR EXCEED ALL LOAD REQUIREMENTS ESTABLISHED IN THE FEDERAL SPECIFICATION #WW-P-541/8b AT 250 POUNDS OF FORCE. THE PERFORMANCE OF THIS PRODUCT IS SIGNIFICANTLY IMPACTED BY THE STRENGTH OF THE WALL TO WHICH IT IS ATTACHED.

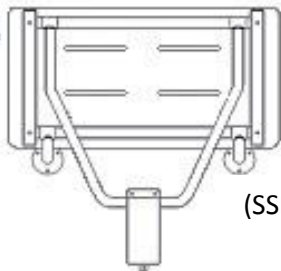
TO ASSURE PROPER AND SAFE INSTALLATION, THIS SHOWER SEAT MUST BE INSTALLED INTO A MINIMUM 2" THICK, SOLID WOOD, IN-WALL BACKING MATERIAL. MAKE CERTAIN IN-WALL BACKING COMPLIES WITH ALL LOCAL BUILDING CODE REQUIREMENTS.

1. Determine whether the seat has a hard-surface (Phenolic/HDPE) or Naugahyde cushion seat top.

PHENOLIC/HDPE

FRONT VIEW

ONE-PIECE SOLID
SEAT TOP
(SHOWN IN RAISED
POSITION)

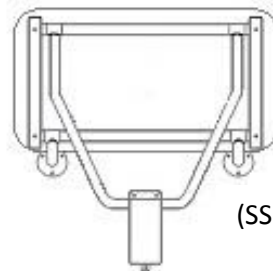


(SSB)

NAUGAHYDE CUSHION

FRONT VIEW

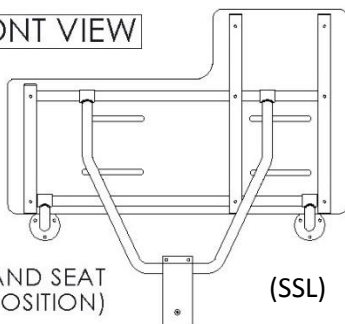
CUSHION SEAT TOP
(SHOWN IN
RAISED POSITION)



(SSB)

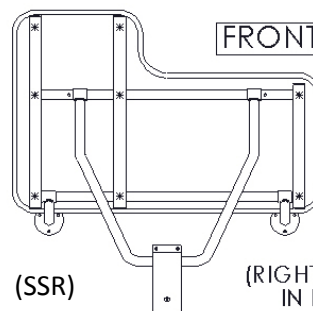
FRONT VIEW

(LEFT HAND SEAT
SHOWN IN RAISED POSITION)



(SSL)

FRONT VIEW



(SSR)

(RIGHT HAND SEAT SHOWN
IN RAISED POSITION)

2. Determine seat height from the floor and location relative to the inside back wall.

ADA regulations specify a finished seat height of 17" to 19" above the finished floor and 1½" of clearance between the seat edge and the side wall. Check local building codes for additional requirements.

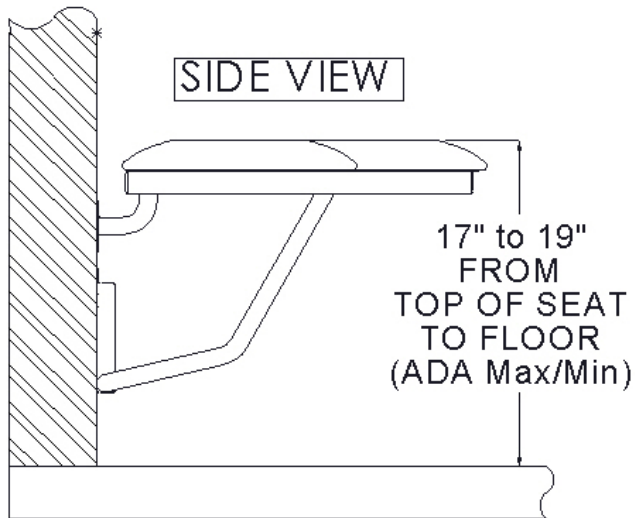


Diagram A

Place the seat against the wall where minimum 2" thick, solid wood in-wall backing material is located and ensure the appropriate finished seat height is at the desired height and is level. (See Diagram A)

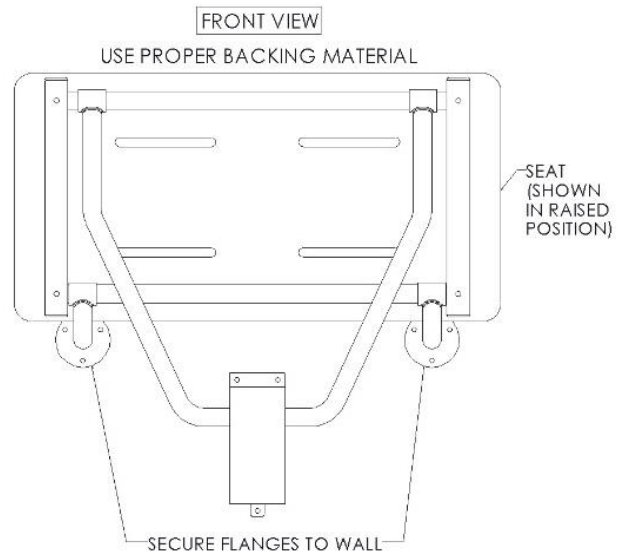
Verify that the seat edge is at the desired distance from the side wall and is level and plumb, and the sliding leg bracket fits flush against the wall and is clear from the floor.

Upon selecting the height & location of the seat, mark the three (3) holes on each of the 3" diameter mounting flanges (six [6] holes total) on the wall where the seat will be mounted. Use the Shower Seat Mounting Flange Template (supplied by manufacturer) as necessary.

Using a 1/8" Carbide tip drill bit (not provided), drill at all six (6) locations.

3. Mounting the seat to the wall.

Holding the seat assembly in an upright and raised position against the wall, tightly secure the two mounting flanges to the wall **AND INTO 2" THICK, SOLID WOOD IN-WALL BACKING MATERIAL**, using six (6) #12 x 2½" stainless steel screws (supplied by manufacturer).



4. Determining the Location of the mounting holes for the Sliding Leg Bracket:

- a. Place the Sliding Leg Bracket around the Leg Support tube and affix the Sliding Leg Bracket against the wall on the established centerline of the seat. Rotate the seat top from down (horizontal) to up (vertical) positions to ensure the Sliding Leg Bracket is positioned properly. Mark the two top holes and the bottom hole in the Sliding Leg Bracket. (See Diagram 5A)
- b. Using a 3/32" Carbide tip drill bit (not provided), drill the two top mounting holes and the bottom tab mounting hole for the Sliding Leg Bracket.
- c. Secure the Sliding Leg Bracket to the wall **AND INTO 2" THICK, SOLID WOOD IN-WALL BACKING MATERIAL**, using (3) #10 x 2½" stainless steel screws (supplied by manufacturer).

Hardware provided:

(3) #10 X 2-1/2" Phillips Pan Head sheet metal screws, (6) #12 X 2-1/2" Phillips Pan Head sheet metal screws

Tools required:

Tape measure, masking tape, power drill, 1/8" and 3/32" Carbide tip drill bit, marking pen/pencil, level, #2 phillips driver (for #10 screws) #3 phillips driver (for #12 screws)

THIS COMPLETES THE INSTALLATION OF THE SSB, SSL or SSR SHOWER SEAT.

17" to 19" Finished Mounting Height for Naugahyde Seat Top

17" to 19" Finished Mounting Height for Phenolic / HDPE Seat Top

$\frac{1}{2}$ "

$\frac{5}{8}$ "

$\frac{1}{5}$ "

3" Dia

1" Dia. Hole

Ø2.317

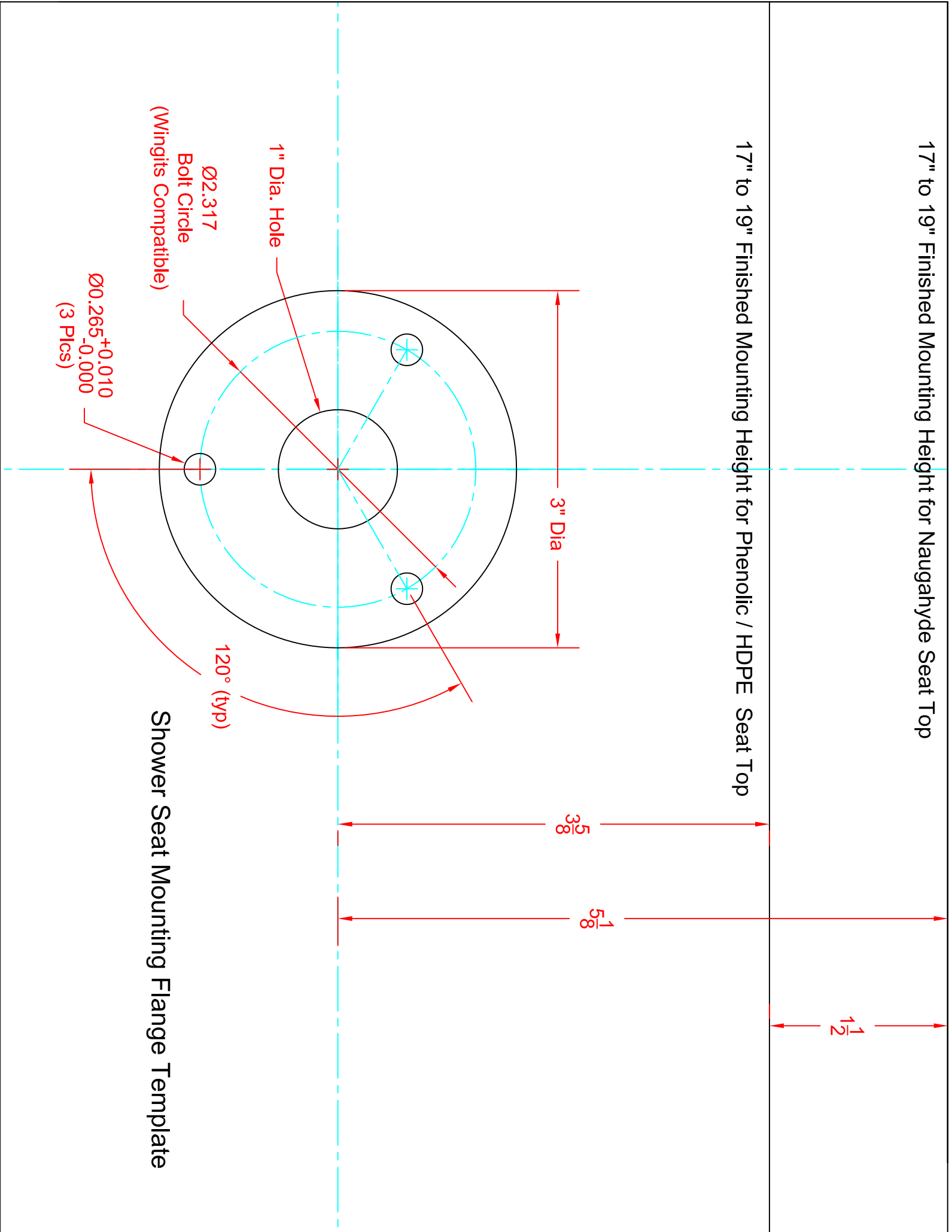
Bolt Circle

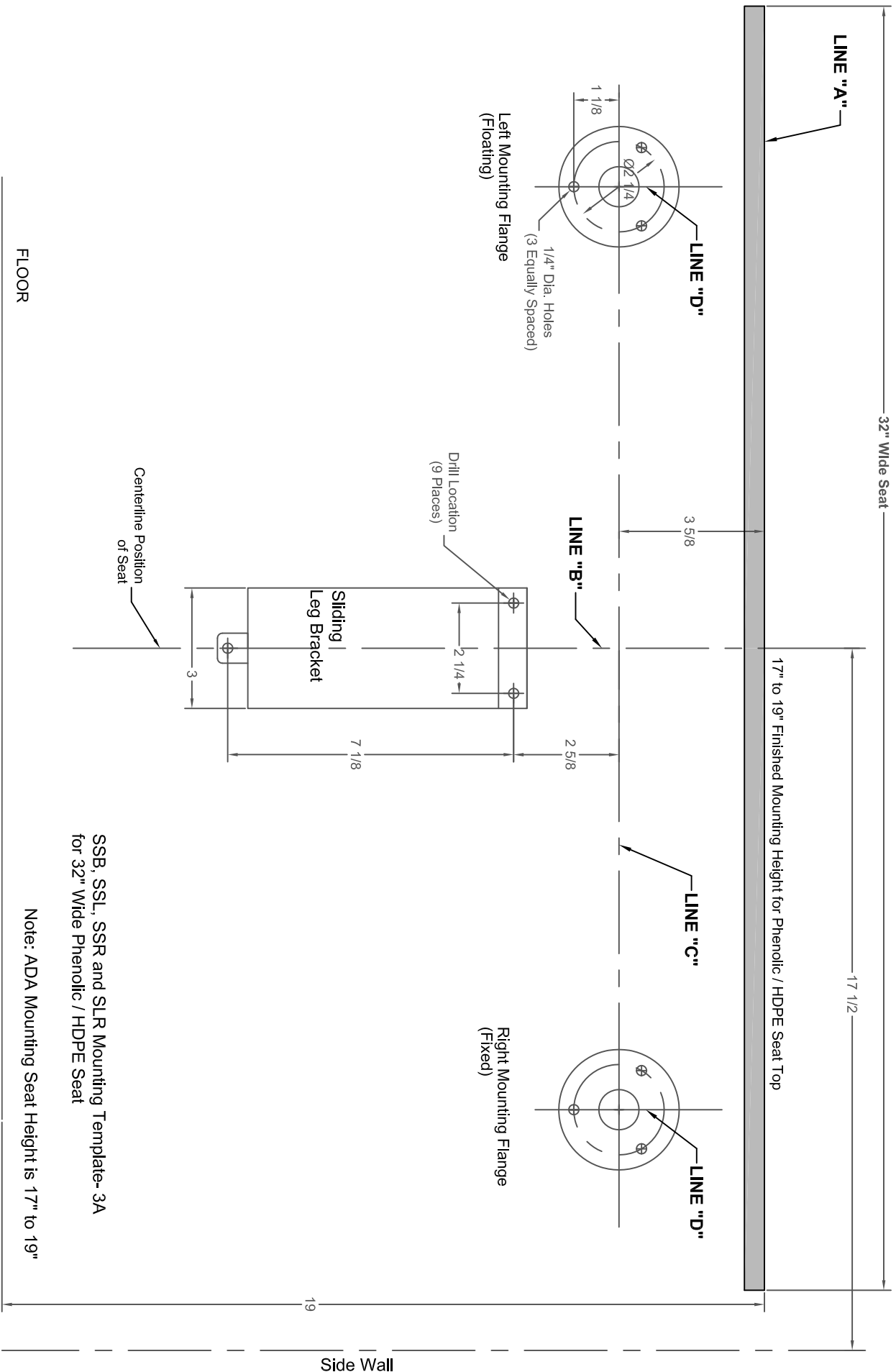
(Wingnuts Compatible)

Ø0.265^{+0.010}
_{-0.000}
(3 Plcs)

120° (typ)

Shower Seat Mounting Flange Template





SSB, SSL, SSR and SLR Mounting Template-3A
for 32" Wide Phenolic / HDPE Seat

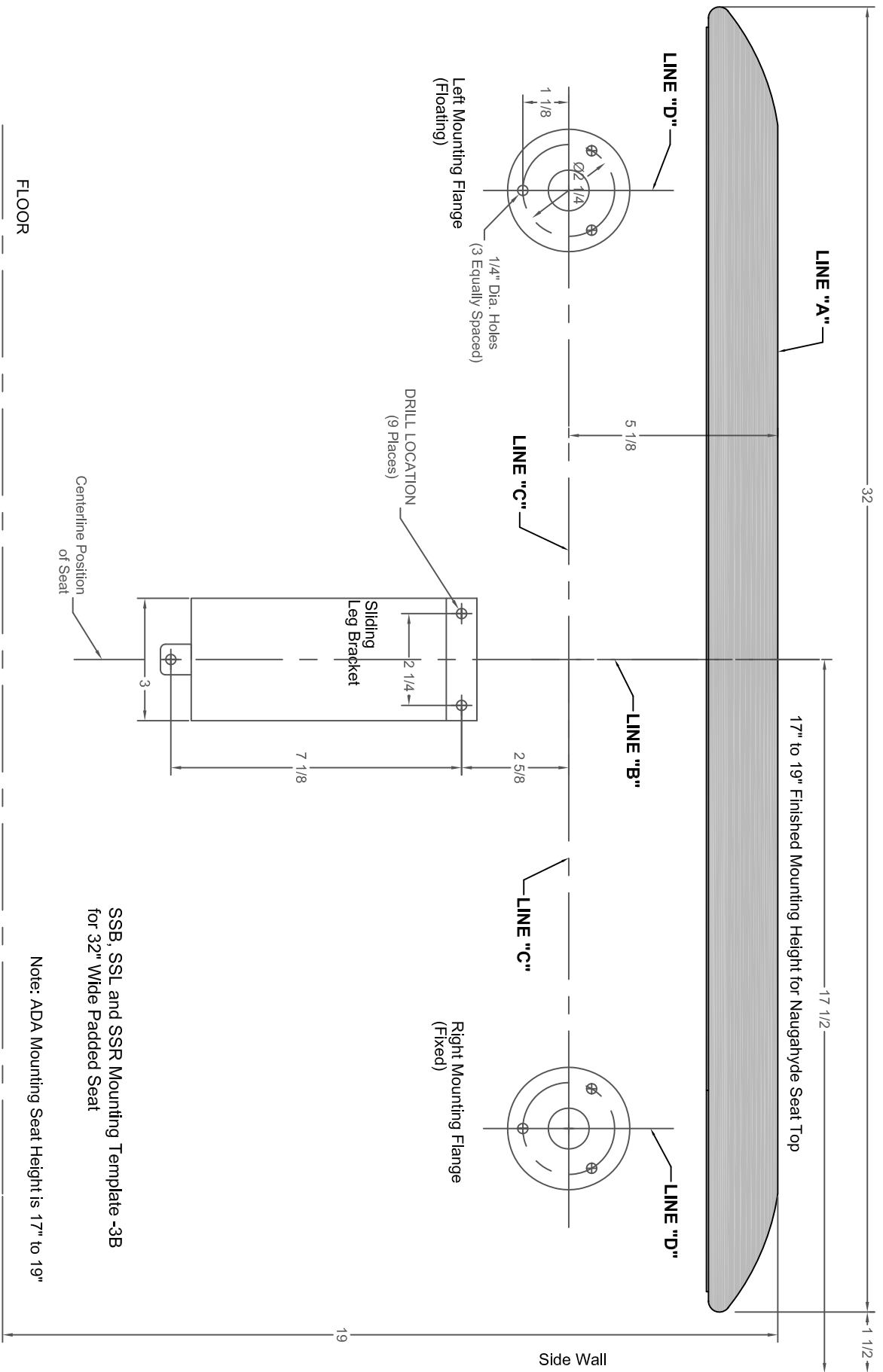
Note: ADA Mounting Seat Height is 17" to 19"

DIAGRAM #3A

Example Only:

Sample Seat Size = 32" Wide Hard Surface (Phenolic/HDPE) Seat Top

Installation Instructions
04/2018

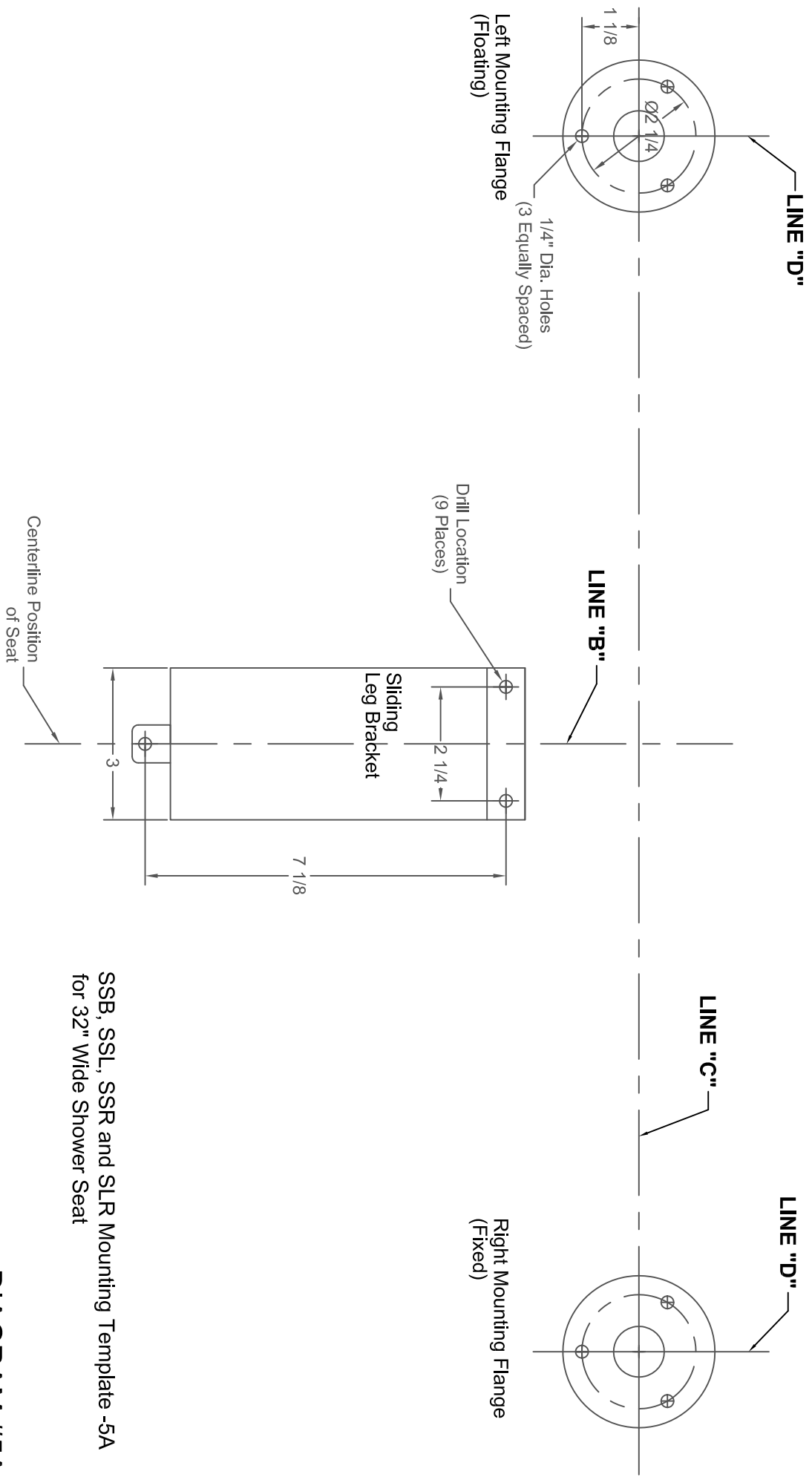


SSB, SSL and SSR Mounting Template -3B
for 32" Wide Padded Seat

DIAGRAM #3B

Example Only:
Sample Seat Size = 32" Wide Naugahyde Cushion Seat Top

Installation Instructions
04/2018



SSB, SSL, SSR and SLR Mounting Template -5A
for 32" Wide Shower Seat

DIAGRAM #5A