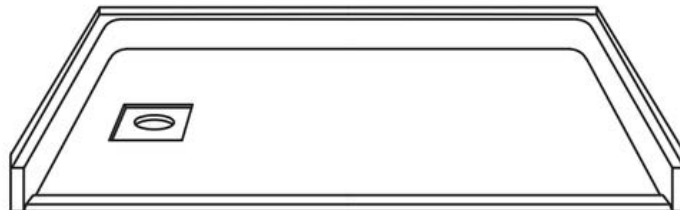
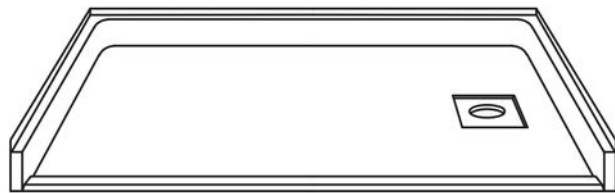




INSTALLATION INSTRUCTIONS

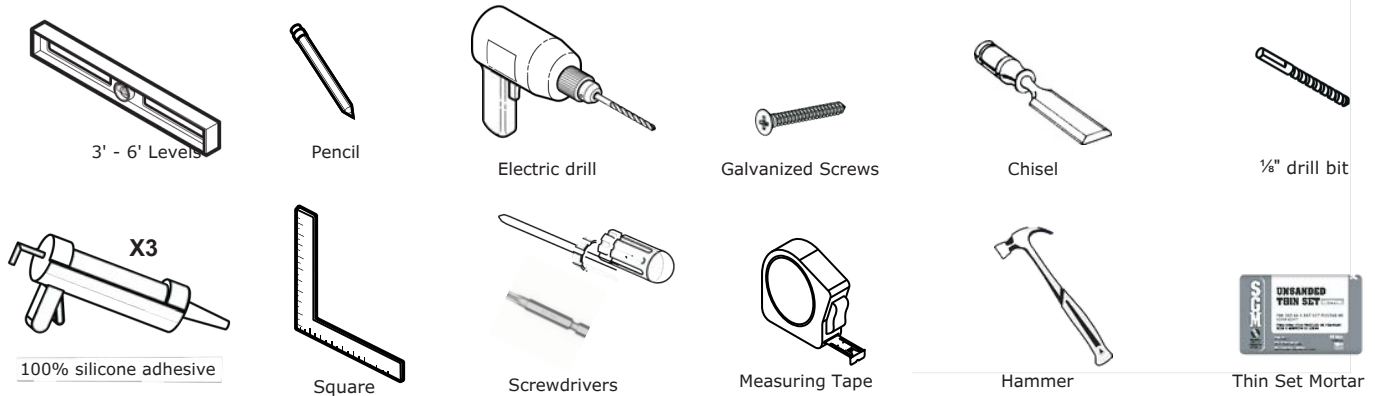
Inspire Shower Pan Installation

End Drain: APX6032BFPL, APX6032BFPR, APX6036BFPL, APX6036BFPR
Center Drain: APX6036BFPC



Customer Support: 1.877.947.7769
Email: apsupport@accessibilitypro.com

TOOLS REQUIRED



The shower pan is the first to go in and the last to take out. Prior to installation, it is the installers responsibility to check the shower pan thoroughly for defects. In the unlikely event that the product has a defect, it must not be installed. The manufacturer will not be held responsible for cost of removal or replacement of a shower pan or any other costs incurred as a result of the shower pan having a defect if the defect is identifiable prior to installation. **INSTALLATION OF THE SHOWER PAN WILL BE TREATED AS ACCEPTANCE OF QUALITY.**

It is the installer's responsibility to ensure proper installation, a trouble-free water evacuation, and a total water tightness. **CHECK THAT SHOWER PAN DRAINS PROPERLY. IF IN DOUBT, CONTACT YOUR SUPPLIER.**

The sub floor structure must be strong enough to support the weight of the shower pan in use.

Read all instructions carefully before proceeding.

SAVE THIS GUIDE FOR FUTURE REFERENCE.

IMPORTANT Record the serial number

Serial number :

Note: Serial number located on the medallion affixed to the threshold.

**PARTS
AND COMPONENTS**

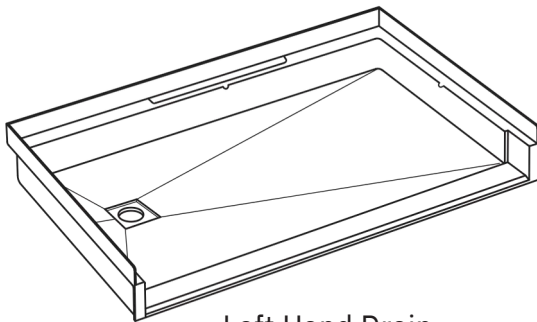


FINAL VISUAL INSPECTION

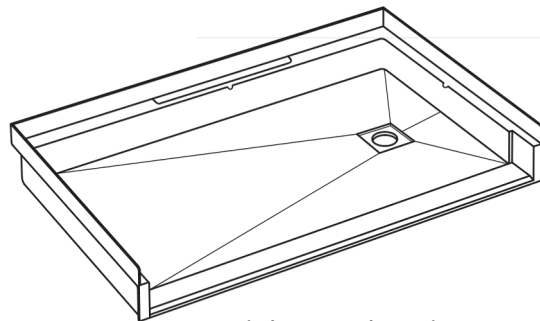
NOTE: NOT DOING SO COULD VOID YOUR WARRANTY. PRIOR TO COMPLETING THE INSTALLATION, PERFORM A VISUAL INSPECTION. IF DEFECTS ARE VISIBLE, STOP THE INSTALLATION AND COMMUNICATE WITH OUR CUSTOMER SERVICE: 877-947-7769.



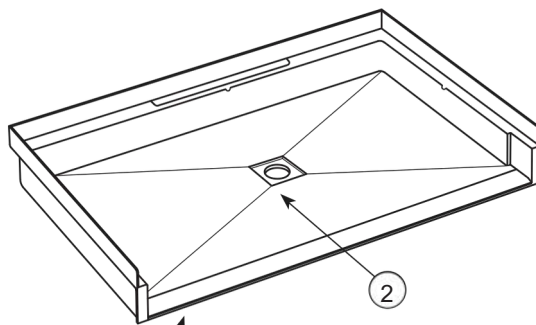
**1 Person Installation
Drain Included**



Left Hand Drain



Right Hand Drain



Center Drain

1

2

Part	Quantity
1 Pan	1
2 Drain	1

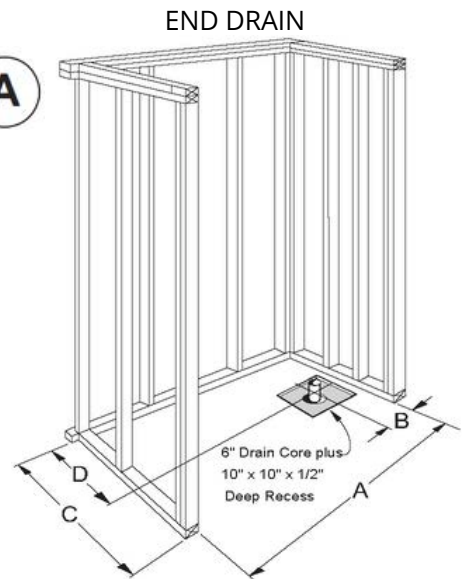
Due to the nature of the product, on site adjustments may be required for installation.
Accessibility Professionals Inc. assumes no responsibility for prep work.

1

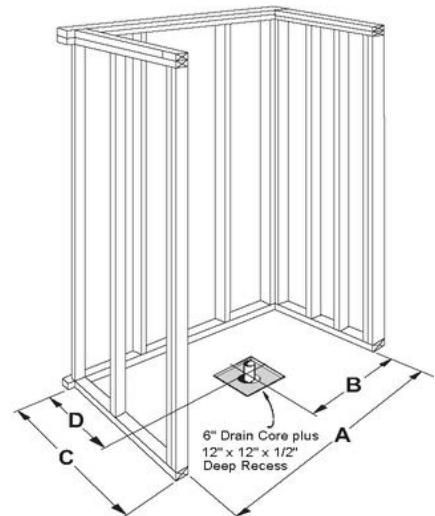
A. Build a structure based on the dimensions shown in the chart below
IF THE STRUCTURE IS ALREADY BUILT, CHECK THAT IT RESPECTS THE DIMENSIONS BELOW.

MODEL	DRAIN	A	B	C	D
APX6032BFPL	LEFT	60 ¼"	8 9/16"	32"	15"
APX6032BFPR	RIGHT	60 ¼"	8 9/16"	32"	15"
APX6036BFPL	LEFT	60 ¼"	8 9/16"	36"	17"
APX6036BFPR	RIGHT	60 ¼"	8 9/16"	36"	17"
APX6036BFPC	CENTER	60 ¼"	30 1/8"	36"	17"

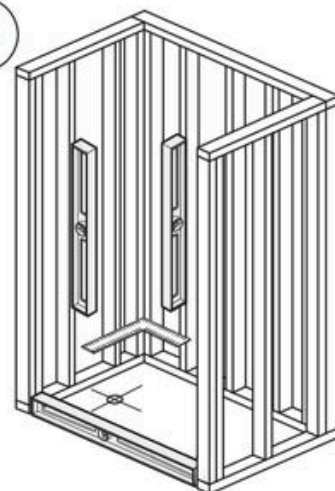
A



CENTER DRAIN

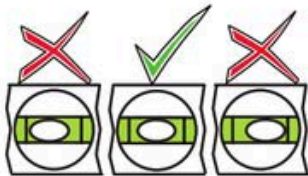


B



A. Plan stud layout to provide space for control valve and water outlets.

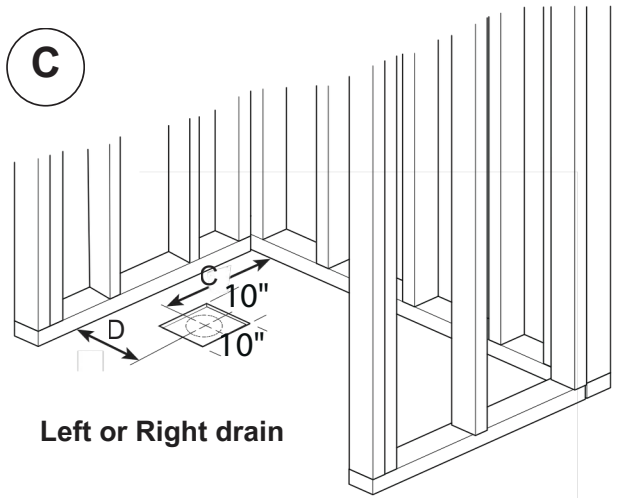
B. Verify the wall studs are square, plumb and the flooring is perfectly level.



! Leveling the floor is critical for a properly aligned installation. Auto-Leveling, rapid thin-set mortar can be used to level the floor. Be careful not to block the drain hole position.

1

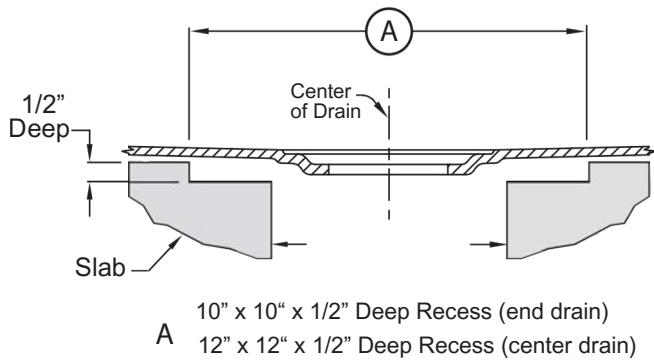
C



Left or Right drain



Cut-Away Drain Core Detail-Concrete Slab



C. Cut out drain opening in floor. For wood floors cut out a 10" x 10" opening around the drain through the floor. **NOTE:** For center drain units, this opening must be 12" x 12" through the floor.

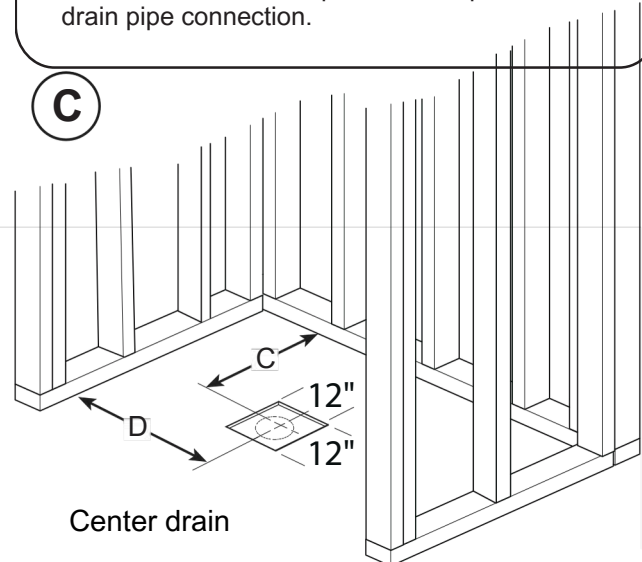
When installing on a concrete slab, the drain core through the slab must be at least 6 inches diameter with a minimum 10" x 10" x 1/2" deep recess for end drain units -or- 12" x 12" x 1/2" deep recess for center drain units into the surface of the slab.

See images at the top, bottom and to the side for details of these openings.

Locate drain opening by following measurements C and D on the images and the chart on step 1.a. (shown on page 5).

We recommend that a plumber completes the drain pipe connection.

C



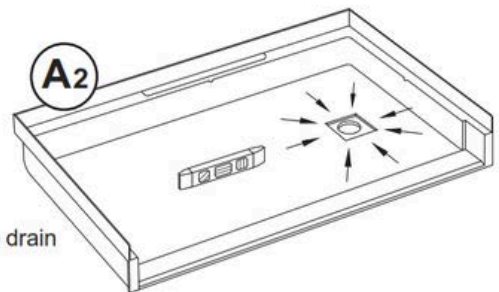
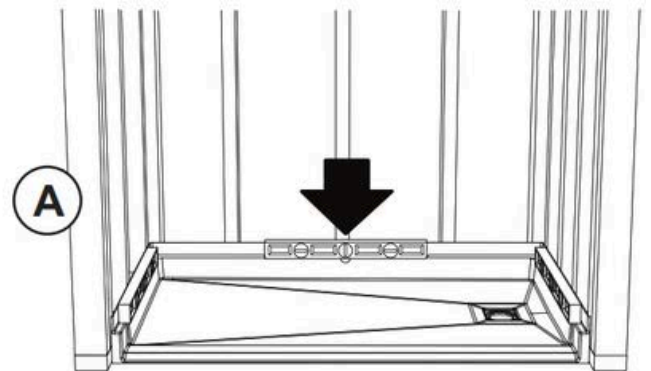
Center drain



Clean the alcove floor of all debris. Not doing so might affect the draft to drain.

2

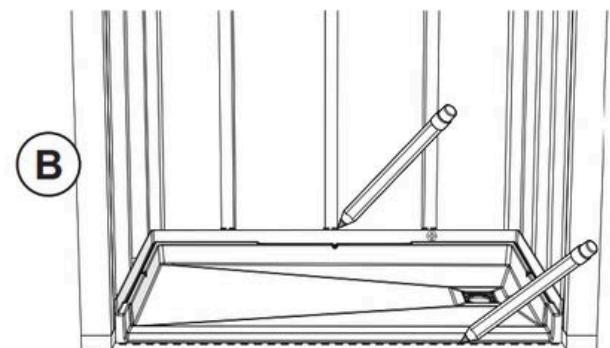
A. Dry fit the pan using a 3' level along all sides as shown. Check and adjust level side to side and front to back. Use 12" plumbers level to check the fall or slope to the drain from all sides as shown in A2.



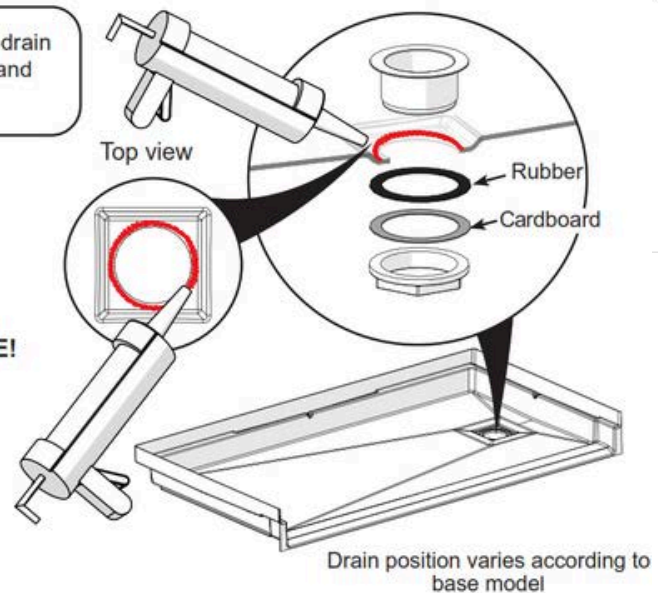
Check Slope to drain

Pan can be shimmed up to 1/8". If it is more than 1/8" out of level, leveling cement is required. Rapid Cure latex modified thin-set tile mortar is recommended.

B. Mark the position of the pan on floor and on the studs. Remove the pan from the enclosure.



C. Apply a 1/8" width silicone bead around the edge of the drain hole in the pan (surface between the top part of the drain and the pan). Assemble as shown.



HAND TIGHTEN ONLY! REMOVE EXCESS SILICONE!

D. Use 3 tubes of 100% silicone adhesive in a squared pattern as shown D1.

If using Rapid Cure Thin Set, one bag is required. Apply in pattern as shown in D2.

The 100% Silicone or Thin Set should be applied in a height that ensures contact with the pan as it sets in place which means it should be 3/4" height or greater to make proper contact.



Inspect bottom of pan removing layer of dust that would prevent robust adhesion of silicone or thinset adhesive.

E. Put back the pan in the previously marked position.



NOTE: Barrierfree showers are designed for maximum accessibility with a 2% slope to the drain allowing no margin for installation error.

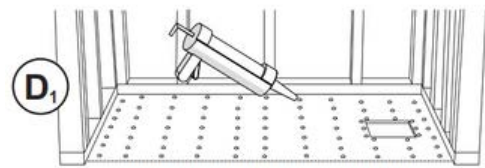
Check that floor of shower is sloped towards drain. Use a 12" level and check for fall or slope from all sides as shown in E. Do not proceed until slope is confirmed or warranty will be voided.

F. If needed use wood shims between the studs and the fastening flange to maintain centered position of pan and avoid distortion of the flange. With a 1/8" drill bit, drill holes in the base flange then secure the pan to all the wall studs with #8 x 1 3/4" flat head screws (not included).

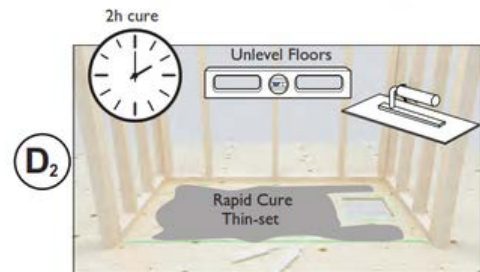
Pre-Drill the flange and not the studs.

HAND TIGHTEN ONLY!

THE CENTER OF EACH HOLE IN THE FLANGE MUST BE AT LEAST 41MM (1 5/8") FROM THE DECK OF THE PAN! FILL IN THE HOLES WITH SILICONE BEFORE INSTALLING SCREWS. CUT OFF THE EXCESS OF THE SHIMS.



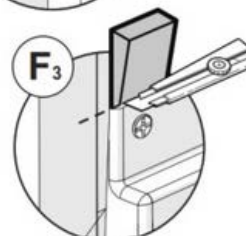
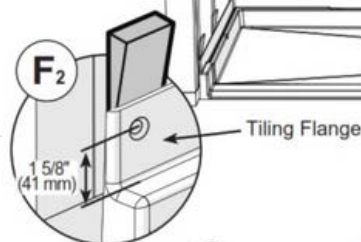
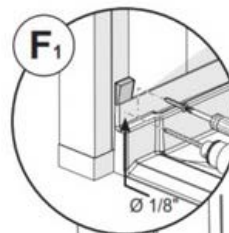
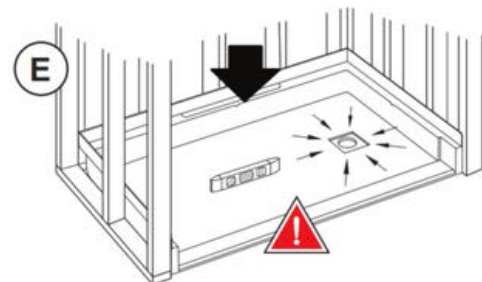
PATTERN USING 100% SILICONE



PATTERN USING THIN SET

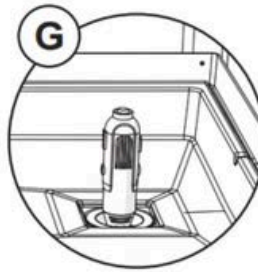


Each bead of silicone or troweled thin set must be 3/4" height or greater to make proper contact shower pan floor.

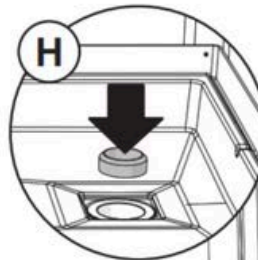


It is essential to properly center the pan to ensure proper installation of the side walls.

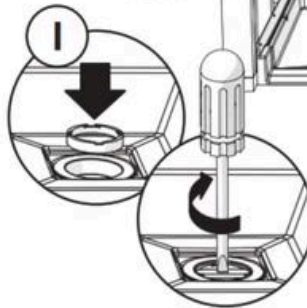
G. Cut the drain pipe even with the top of the rubber gasket using an inside cutting tool.



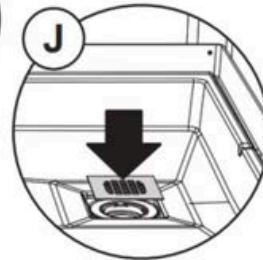
H. Using plumbers grease, lubricate the inside of the rubber gasket and slide over the drain pipe with bevel edge facing up. Push down until it sets itself.



I. Apply weight or down pressure to the drain area to ensure your fall to the drain. Screw compression ring until tight which will seal and hold fast the floor pitch to the drain.



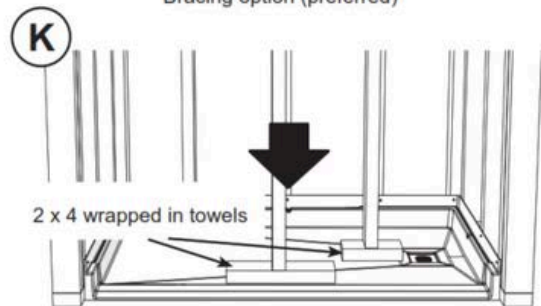
J. Snap the grid plate into place.



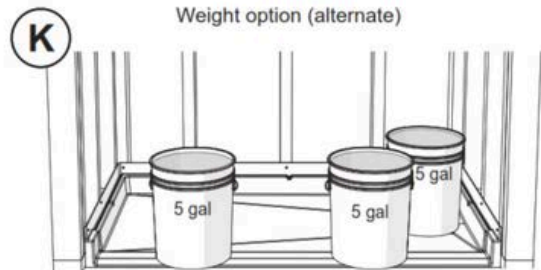
Bracing option (preferred)

K. To secure the pan while the silicone cures there are two possible methods: Bracing (preferred): Brace the unit as close to the drain as shown. A properly braced threshold will result in flush contact to the subfloor along the entire threshold. Leave braces in place for 4 hours. Remove the braces and check draft and slope to the drain one last time. This will be the **LAST CHECK**.

Weighted option (alternate): When bracing is not possible, an alternate method is to weight down the pan with 5 gallon buckets filled with water. After 4 hours remove the buckets and check the draft and slope to the drain.



Weight option (alternate)



3

After shower pan is secured, the shower walls above the unit must be installed by others. Planning what materials will be used, and for shower control and shower head location and installation of these items is not the responsibility to the shower pan manufacturer. All fittings and wall materials must be evaluated by the installer regarding the suitability for use of any materials or fittings, and how they will be installed.

The walls must be installed so the finished wall materials extend to cover the mounting flanges on the shower pan, with a small 1/8" gap between the finished surface of the shower pan and the bottom of the shower walls. Apply a silicone based bathroom caulk to fill the gap between the shower and the walls.



The installer of the supply plumbing is responsible for all plumbing.
The manufacturer of the shower pan is not responsible for leaking plumbing connections.

The installer of the shower walls is responsible for any leaks.
The manufacturer of the shower pan is not responsible for leaking of the wall enclosure.

Maintenance tips

Follow these general use and maintenance tips, as well as any that come with the products and you will be rewarded with years of great service.

- Clean regularly with a non-abrasive cleaning spray or cream based cleansing agent.
- Never use tile or grout cleaner as they are not adequate for these products and could damage the unit.
- Never use abrasive cleansers, scrapers, metal brushes or anything that could scratch or dull the surface of your unit.
- In order to avoid damaging the finish of the unit when renovating, remove plaster residues from surfaces with a plastic or wooden spatula wrapped in a moist cloth.
- Wipe down your shower door after every use with a squeegee or soft cloth. This reduces the buildup from soap, bath additives, natural body oils and mineral deposits in the water, making cleaning easy and helping to maintain the units natural luster.





Freedom Inspire Accessible Shower Pan Installation

USEFUL LINKS TO Installation & Warranty

LINK to Inspire Shower Installation video: <https://youtu.be/IXlYrixNNol>

LINK to Collapsible Water Retainer Installation video: <https://youtu.be/1LNQjWteJcw>

LIMITED WARRANTY

For warranty inquiries call: 1-877-947-7769

For Warranty details and terms visit

<https://www.freedomshowers.com/terms-conditions>



WWW.FREEDOMSHOWERS.COM

T. 1-877-947-7769