



INSTALLATION INSTRUCTIONS

APFSTSB-270155 Portable Bathubt Seat



Customer Support: 1.877.947.7769

Email: apsupport@accessibilitypro.com

Portable Bathtub Seat Installation Instructions

This seat should be installed as an assembled unit.

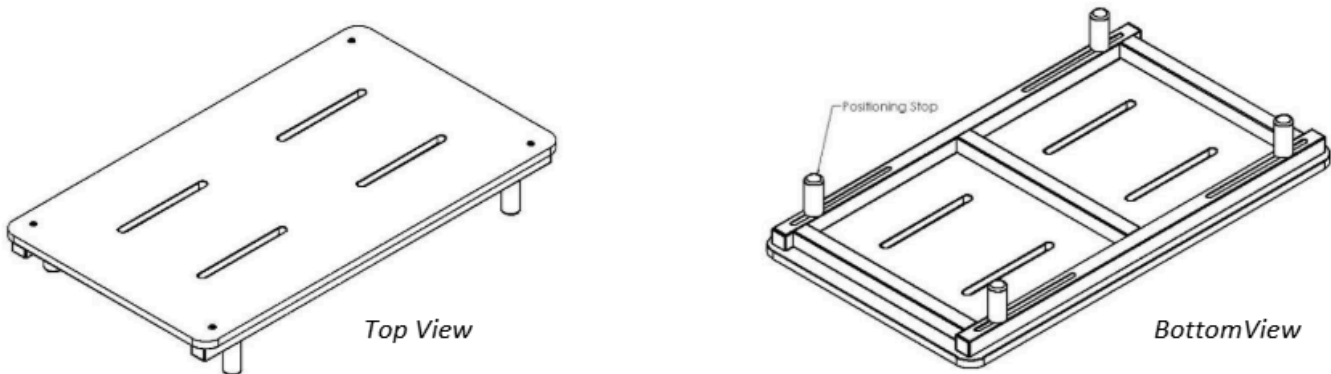
PLEASE READ THESE INSTALLATION INSTRUCTIONS THOROUGHLY PRIOR TO INSTALLING THE SEAT TO IDENTIFY THE TOOLS RECOMMENDED FOR INSTALLATION, AS WELL AS THE MOUNTING HARDWARE REQUIRED TO COMPLETE THE INSTALLATION.

FAILURE TO FOLLOW THESE INSTRUCTIONS COULD LEAD TO IMPROPER INSTALLATION OF THE TUB SEAT, STRUCTURAL AND/OR WATER DAMAGE TO THE WALL AND IN-WALL SUPPORT STRUCTURES, AND/OR SERIOUS BODILY INJURY IN USE. IN ADDITION, ALL WARRANTIES, EXPRESS OR IMPLIED, WILL BE NULL & VOID DUE TO IMPROPER INSTALLATION OF THIS PRODUCT. THE MANUFACTURER DOES NOT ASSUME ANY LIABILITY FOR DAMAGE RESULTING FROM SERVICES PERFORMED BY OTHERS, OR FAULTY INSTALLATION, MISUSE OR MISAPPLICATION OF GOODS.

MAXIMUM WEIGHT CAPACITY FOR THIS PRODUCT SHALL NOT EXCEED 250 LBS. WHEN PROPERLY INSTALLED.

1. **Remove the Portable Tub Seat and four (4) Positioning Stops (packed separately) from the shipping carton.**

Attach all four (4) Positioning Stops to bottom of seat by screwing them onto the exposed studs in a clock-wise direction. Leave Positioning Stops loose enough to slide freely along the length of the slot in the frame.



STSB-270155-One Piece Phenolic Series

2. Locating and mounting the tub seat in the desired position.

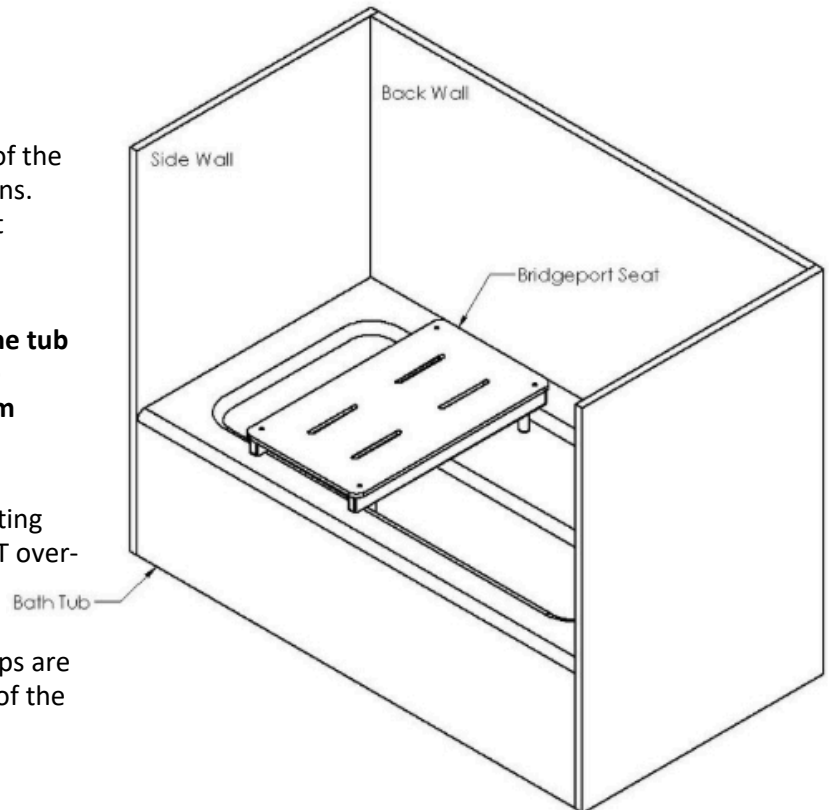
Place the seat in its desired position in the tub enclosure.

The Positioning Stops will slide along the bottom of the seat frame to accommodate various tub dimensions. Position the seat so that the Positioning Stops rest securely inside the tub dam.

This seat MUST be evenly spaced on the top of the tub dam and a minimum 2" surface contact MUST be maintained on both sides of the seat (see diagram below).

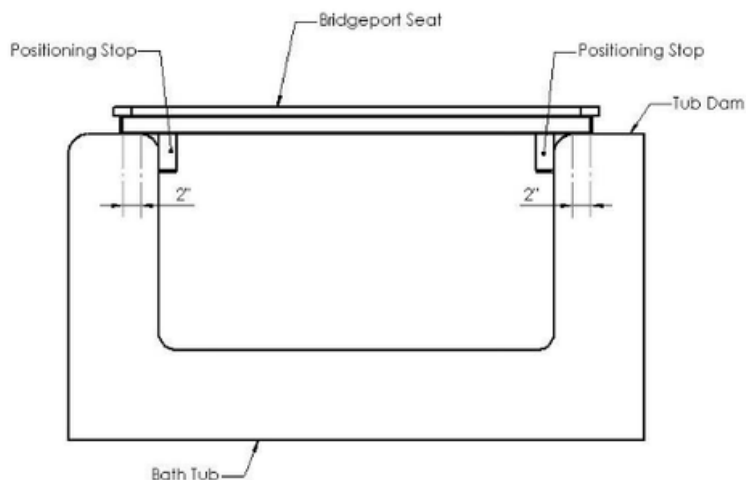
Hand tighten all four (4) Positioning Stops by rotating each one clock-wise until firmly tightened. Do NOT over-tighten.

Always ensure each of the four (4) Positioning Stops are securely tightened and fit snug against the inside of the tub when this seat is in use.



WARNING:

Serious damage to existing structures and/or physical harm could occur if this product is not used properly. Do NOT stand on the seat at any time.



To remove this seat, carefully lift it from its set position on the tub and store in a clean, dry location for future use.

Once secured to the tub, make certain the seat does not shift from its set position in any direction before use.

THIS COMPLETES THE INSTALLATION OF THE TUB SEAT.