



**FREEDOM**  
BY ACCESSIBILITY  
PROFESSIONALS

## **INSTALLATION INSTRUCTIONS**

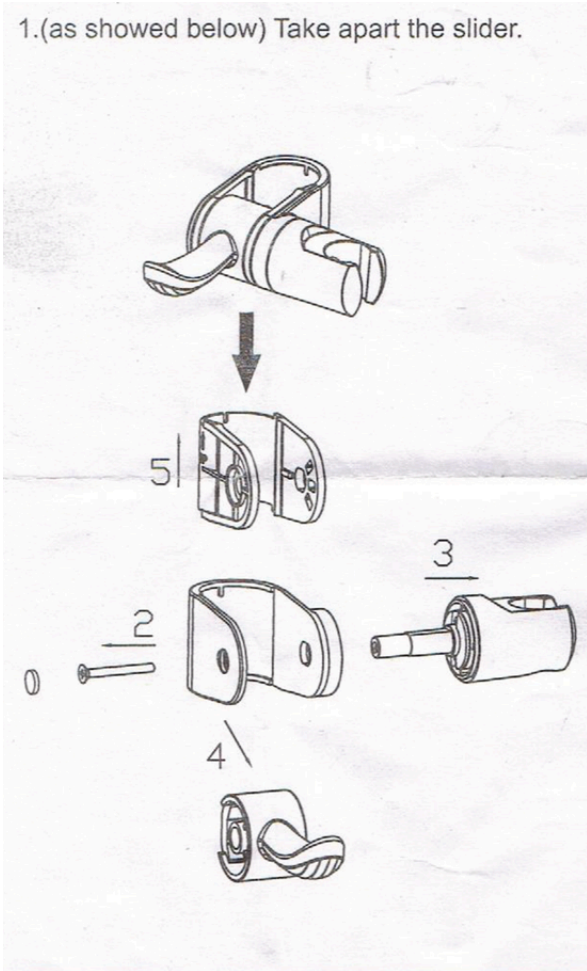
### APH Handheld Shower Kit and Mixing Valve Installation



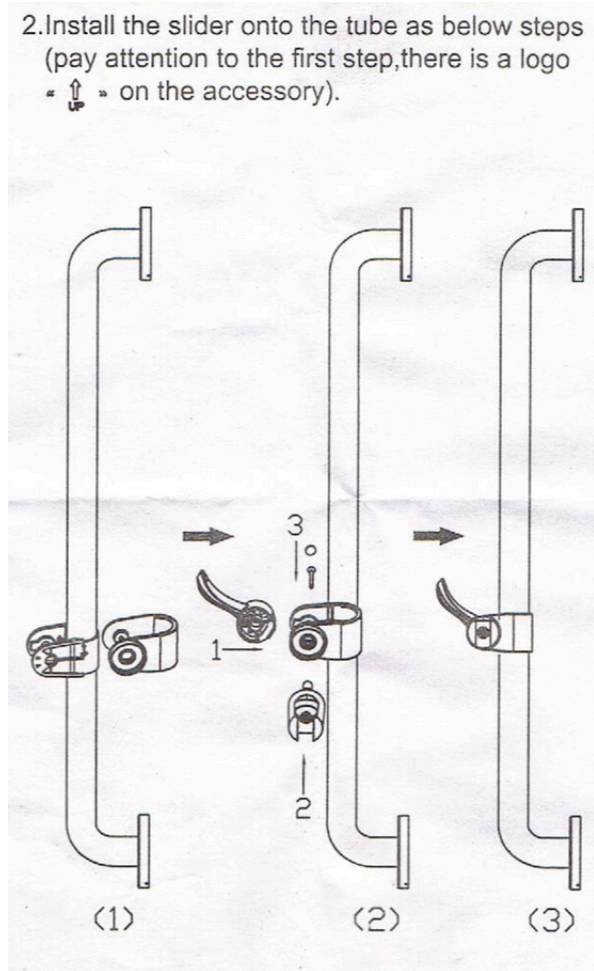
**Customer Support:** 1.877.947.7769  
**Email:** [apsupport@accessibilitypro.com](mailto:apsupport@accessibilitypro.com)

## Handheld Shower with Glide Bar Installation Instructions

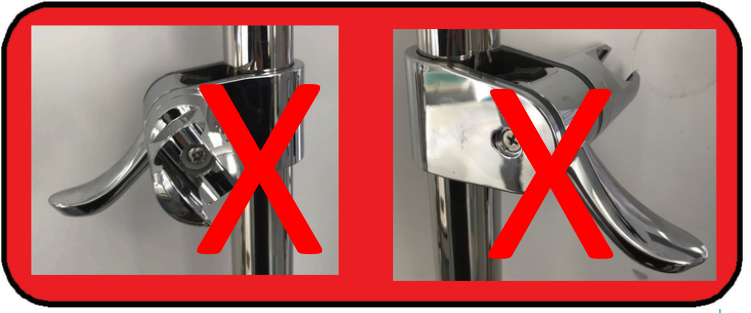
1.(as showed below) Take apart the slider.



2.Install the slider onto the tube as below steps (pay attention to the first step,there is a logo "↑" on the accessory).



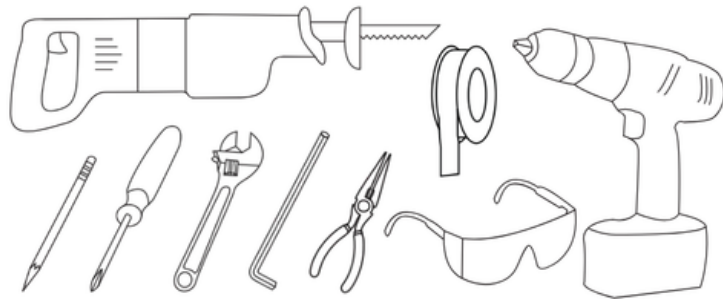
**Important Note: During assembly and operation flip handle up to ensure smooth use. Flipping down may cause Friction.**



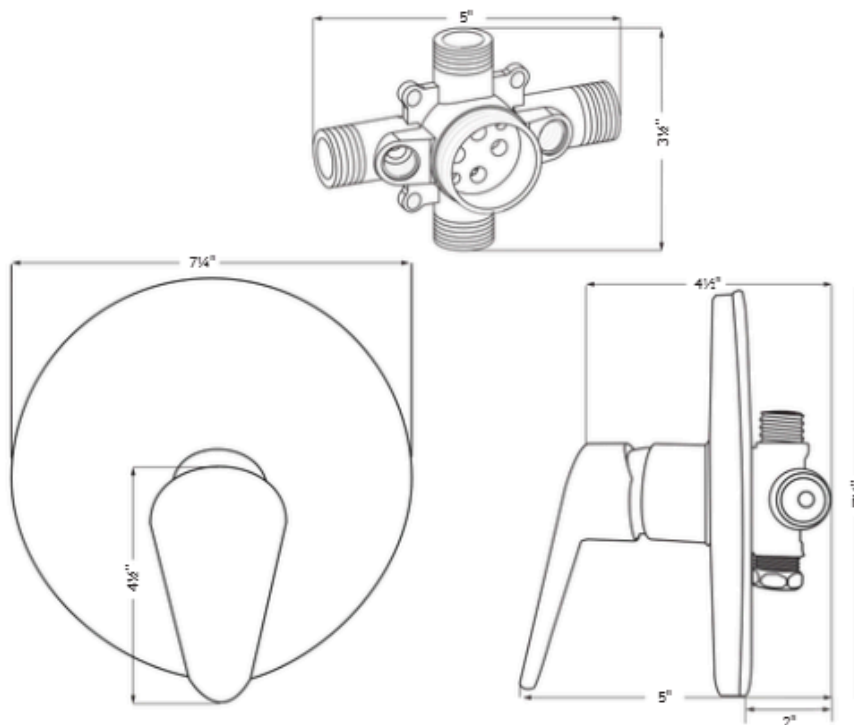
## APH-MixPressure Balance Mixing Valve 1/2" Rough-In Valve Owner's Manual

### Tools Required (not included)

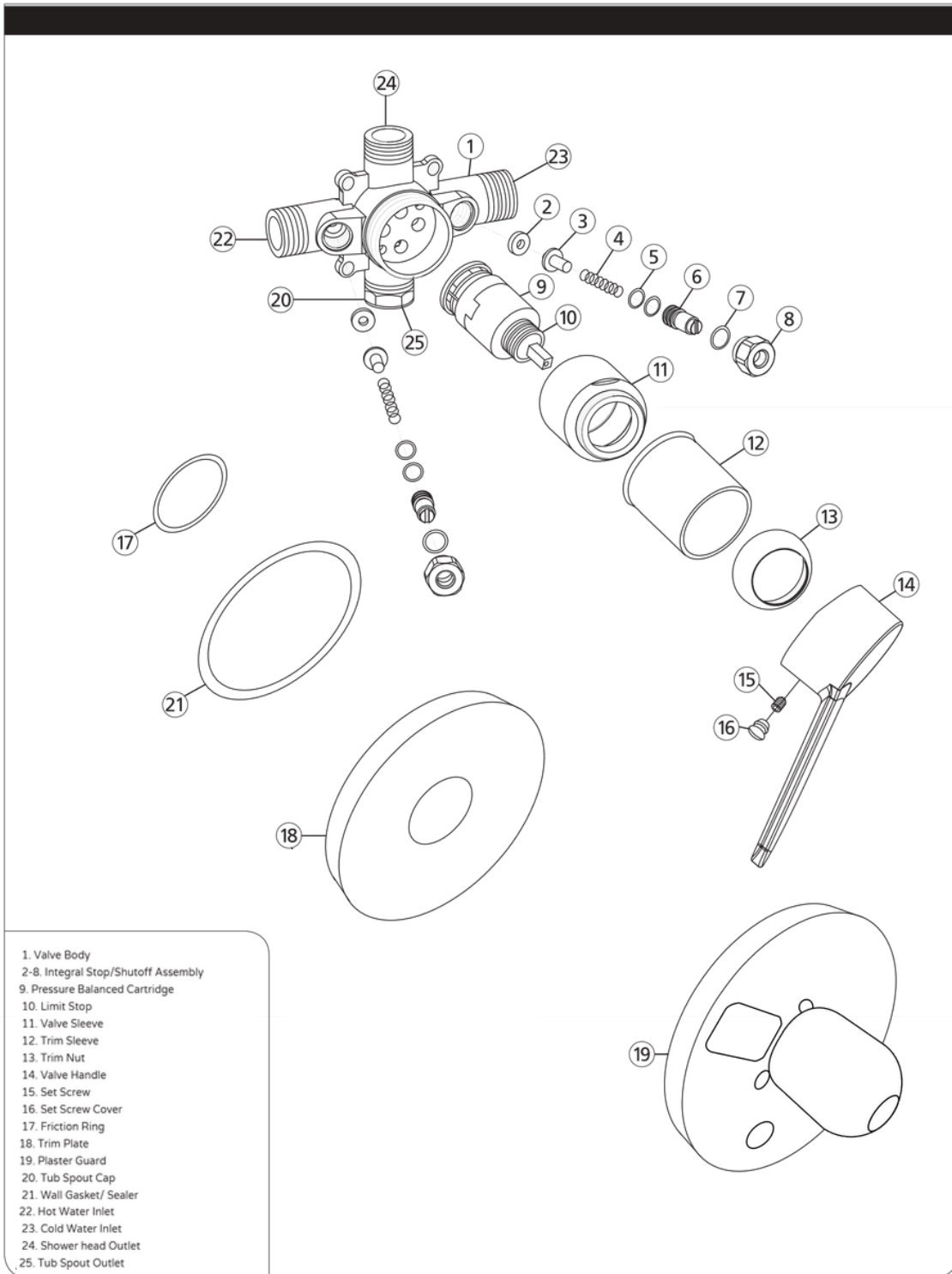
- Soft pencil or felt pen to mark tile/wall
- 4mm Allen wrench
- Safety glasses
- Phillips screwdriver
- Reciprocating saw/metal cutting blade
- Channel locks or adjustable wrench
- Drill (preferably cordless)
- Plumber's tape



### Product Dimensions



## PARTS LEGEND



- 1. Valve Body
- 2-8. Integral Stop/Shutoff Assembly
- 9. Pressure Balanced Cartridge
- 10. Limit Stop
- 11. Valve Sleeve
- 12. Trim Sleeve
- 13. Trim Nut
- 14. Valve Handle
- 15. Set Screw
- 16. Set Screw Cover
- 17. Friction Ring
- 18. Trim Plate
- 19. Plaster Guard
- 20. Tub Spout Cap
- 21. Wall Gasket/ Sealer
- 22. Hot Water Inlet
- 23. Cold Water Inlet
- 24. Shower head Outlet
- 25. Tub Spout Outlet

## Installation

### Valve Installation/Replacing Existing Valve

1. TURN OFF WATER SUPPLY TO SHOWER. Typically there is a gate valve where the water main enters the house. Turning the water valve off at hot water tank does not turn off cold water supply line.
2. Make certain water is completely turned off to both hot & cold supply lines of shower. Turn shower valve on, both hot and cold, to VERIFY WATER SUPPLY IS OFF. Open a sink faucet in bathroom in which you are installing valve to relieve any pressure and help adequately drain shower supply lines.
3. Remove handle(s) and trim cover(s) of your existing shower valve, exposing valve body in wall.
4. Locate hot and cold supply lines entering valve. Using a reciprocating saw with sharp metal saw blade and cut existing valve out. You should also cut riser within wall supplying existing shower head. Carefully twist and remove valve.
5. Install valve, making sure “up” outlet is facing up and use screws (not included) to mount to wall. IMPORTANT! Plaster guard (19) must be flush with finished wall for proper positioning. Connect water supplies to valve (hot water to left side and cold water to right side). Use thread seal compound or plumber's tape on all threaded connections to prevent leaks. Some soldering of joints and fittings may be necessary for copper pipes.
6. Connect riser pipe and tub spout outlet plumbing. If you have a shower only model, you will need to cap valve's tub outlet with supplied cap (20). Likewise if you have a tub only model, you will need to cap valve's shower outlet. Do not attach showerhead until after flushing the shower's riser pipe.
7. Remove plaster guard (19). Place trim plate (18) over valve assembly. Trim will be secured in place simply by friction. OPTIONAL: Add caulking around the trim and finished wall. Install handle (14) and tighten set screw (15). Add trim sealer (21) around the trim.

## Installation

### Setting Maximum Water Temperature Preset

NOTE— This valve includes a factory maximum water temperature preset known as a limit stop.

WARNING: Failure to adjust the limit stop properly may result in serious scalding. This shower may not protect the user from scalding where there is a failure of other temperature controlling devices elsewhere in the system.

1. Loosen set screw (15) with an allen wrench and remove valve handle (14).
2. Remove cartridge trim nut (13) and trim sleeve (12) by hand.
3. For a lower temperature, pull red limit stop out with needle-nose pliers, turn it counter-clockwise and push it back onto cartridge.
4. For a higher temperature, pull red limit stop out with needle-nose pliers, turn it clockwise and push it back onto cartridge.
5. Reinstall cartridge trim sleeve (12), trim nut (13), and valve handle (14). Tighten set screw (15) with an allen wrench.

## Care and Maintenance

Always blot dry any water from the surface of your mixing valve. To protect your mixing valve from hard water stains and mineral deposits, use an auto spray wax periodically and wipe down your valve after each use. Allowing water to evaporate on the surface can lead to a buildup of mineral deposits. Cleaning with a damp, non-abrasive sponge and drying with a clean soft cloth should help keep your mixing valve looking beautiful.

### R E M E M B E R

**Never use any abrasives or harsh cleaners!**  
**Clean with mild soap and water ONLY!**  
**To keep your valve in pristine condition,**  
**DRY AFTER EACH USE!**