



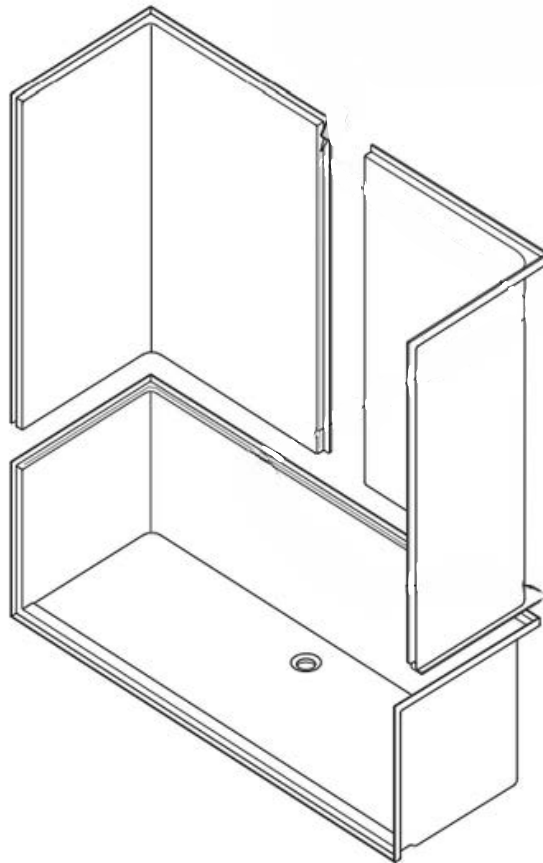
FREEDOM

BY ACCESSIBILITY
PROFESSIONALS

INSTALLATION INSTRUCTIONS

3 Piece ADA Roll In Shower Installation Instructions

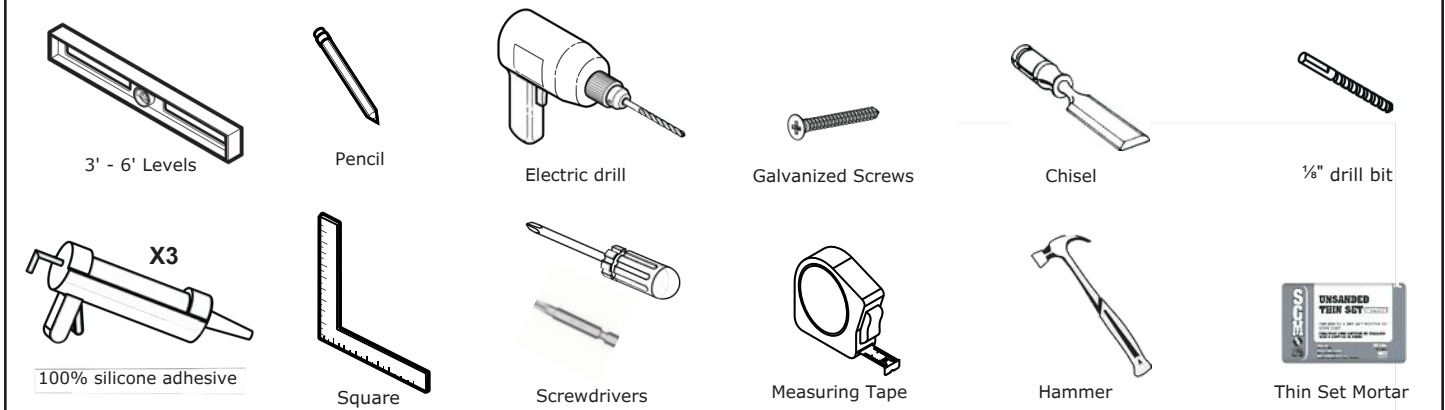
APF6436BF3P



Customer Support: 1.877.947.7769

Email: apsupport@accessibilitypro.com

Suggested Tools



Key points to remember during installation

1. The subfloor must be 100% flat, level and free from obstructions of any kind.
2. When installed, the drain of the shower and the piping must be centered on the core or box out prepared in the subfloor.
Check to make sure that the core is drilled deep enough (at least 2") for the drain fitting that you are using, and that nothing will prevent it from allowing the floor of the unit to rest on the subfloor as designed. Please note that the drain pocket of this shower will protrude below the subfloor as shown in Figure 3 of this guide.
3. In buildings with a poured-in-place floor, make sure there is no lip at the edge of the drain box out area.
4. If installing the drain fitting prior to installation of the shower, precautions must be taken to keep the shower from resting on the drain fitting. Failure to do this may cause warping or cracking of the shower floor.
5. When plumbing, there should be no fittings installed on the drain pipe within 2 1/2" of the top of the subfloor. This will interfere with the drain fitting and cause the floor of the unit not to rest on the subfloor as designed.
6. To meet full compliance with ADA, should a seat be added, the front edge of the seat must be within 3" [76mm] from the edge of the finished shower pocket. This must be considered when framing the pocket for the unit.
7. Install optional collapsible threshold at final time stage, after the unit has been installed and any debris have been cleaned.

Please consult all local and state building codes and read the entire installation instructions prior to beginning the installation of this unit to ensure that the installation is performed correctly. Freedom Showers 3/4" Barrier-Free Showers are to be stored in a dry area prior to installation to prevent moisture from attacking the reinforcement material which could cause warping of the unit. Additionally, the units cannot be stored in a manner where the bottom of the unit and the drain are forced upward. (see page 2).

WARNING: FAILURE TO FOLLOW THESE INSTALLATION INSTRUCTIONS COULD VOID THIS PRODUCTS WARRANTY.

The 3/4" barrier-free threshold is a very sensitive unit to properly install. It is very important that the procedures are followed exactly during the installation process to create the ideal barrier free access area. Failure to follow these handling and installation instructions may cause improper drainage, thus voiding the unit's warranty.

Due to the nature of the product, on site adjustments may be required for installation.
Accessibility Professionals Inc. assumes no responsibility for prep work.



**Very Important For Showers
With 3/4" Thresholds**

Showers must be stored and installed with care. During storage this unit should sit as it is received. It should be stored with a 2" x 4" block of some other type of material at each of the (4) points numbered in the TOP VIEW in Figure 1.

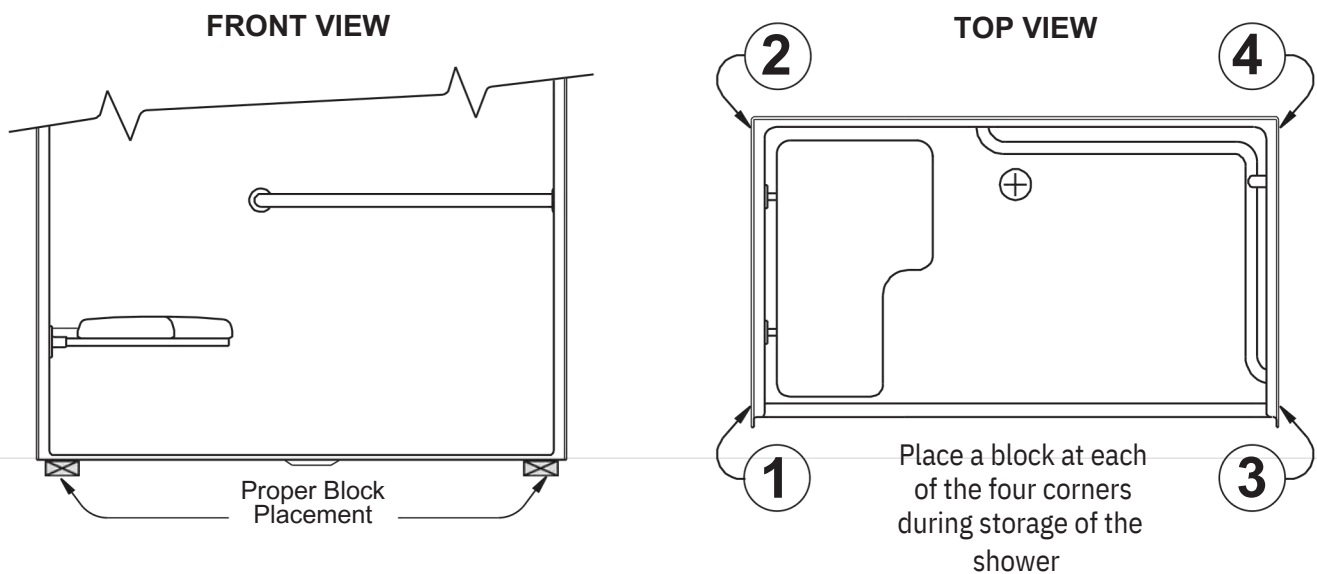
These units do not have wooden bottoms to reinforce the floors as conventional showers have. By placing the unit on some type of blocking, the molded drain will not touch the floor. This will allow the draft of the floor to be maintained without the weight of the shower pushing the drain area upward. The blocks should only be placed at the outside corner edges of the unit and should never be placed under the middle of the threshold.

This procedure should only be used during storage and not during installation of the shower into the alcove.

These blocks should only be removed at the time the shower is placed on the front face for the drain fitting to be installed, immediately before installation into the alcove.

See Figure 1.

Figure 1



Unit Preparation

Remove all factory shipping packaging and braces. Remove any wood blocking under the unit used for shipping purposes.

To dis-assemble the unit:

Next, remove all hardware (nuts & bolts). Do not discard, they will be needed for reassembly. Set all pieces of the unit in a safe location.

Hardware will be located around the perimeter of the unit where the wall section meets the base section and up the vertical flange where the wall sections meet.

Note to installer: To simplify the installation process the unit may be dry fitted into the pocket prior to applying silicone caulking and securing the unit.

Framing the pocket Figure 2

Frame a square and plumb pocket based on the dimensions indicated in Figure 2.

The floor of the pocket must be prepared perfectly flat and level to obtain proper drainage.

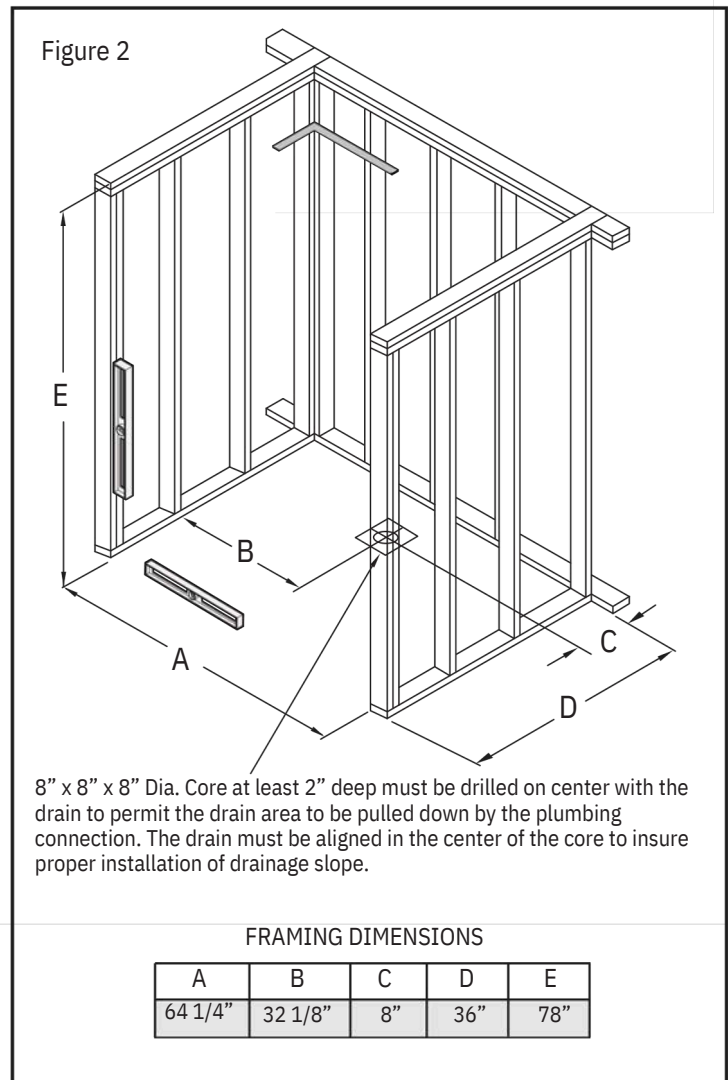
If there are any obstructions, you will need to chisel or cut the concrete out to create a surface that allows for proper slope to the drain.

Depending upon the core opening in the concrete slab, the installer may find it necessary to core a larger and/or deeper opening permitting adequate clearance for the drain.

An 8" core at least 2" deep may be desirable.

If the core cut is larger than 8" x 8" or 8" diameter, we recommend back filling the core cut, sloping the fill to the drain.

This will assure that the area of the floor around the drain receives proper support.



Shower Assembly: Figure 3

If there is access to the back of the framing pocket, the unit can be assembled inside the framing pocket. The sections can be secured together by using the nuts and bolts that the unit was shipped with.

NOTE: If there is no access to the back of the unit when in the framing pocket, it must be secured together outside the framing pocket using nuts and bolts and installed as a one-piece unit.

Apply a bead of silicone caulking to the base where the **left wall section** rests on the base. The silicone caulking will need to be applied along in front of the bolt holes or the pins for a water-tight seal (Figure 3).

A generous amount of silicone caulking will need to be applied to the **top front edge** of the base and up the nailing flange (Figure 3A).

This is to prevent water from weeping into the drywall and behind the unit. Set left wall section onto the base and attach it with the hardware to the base.

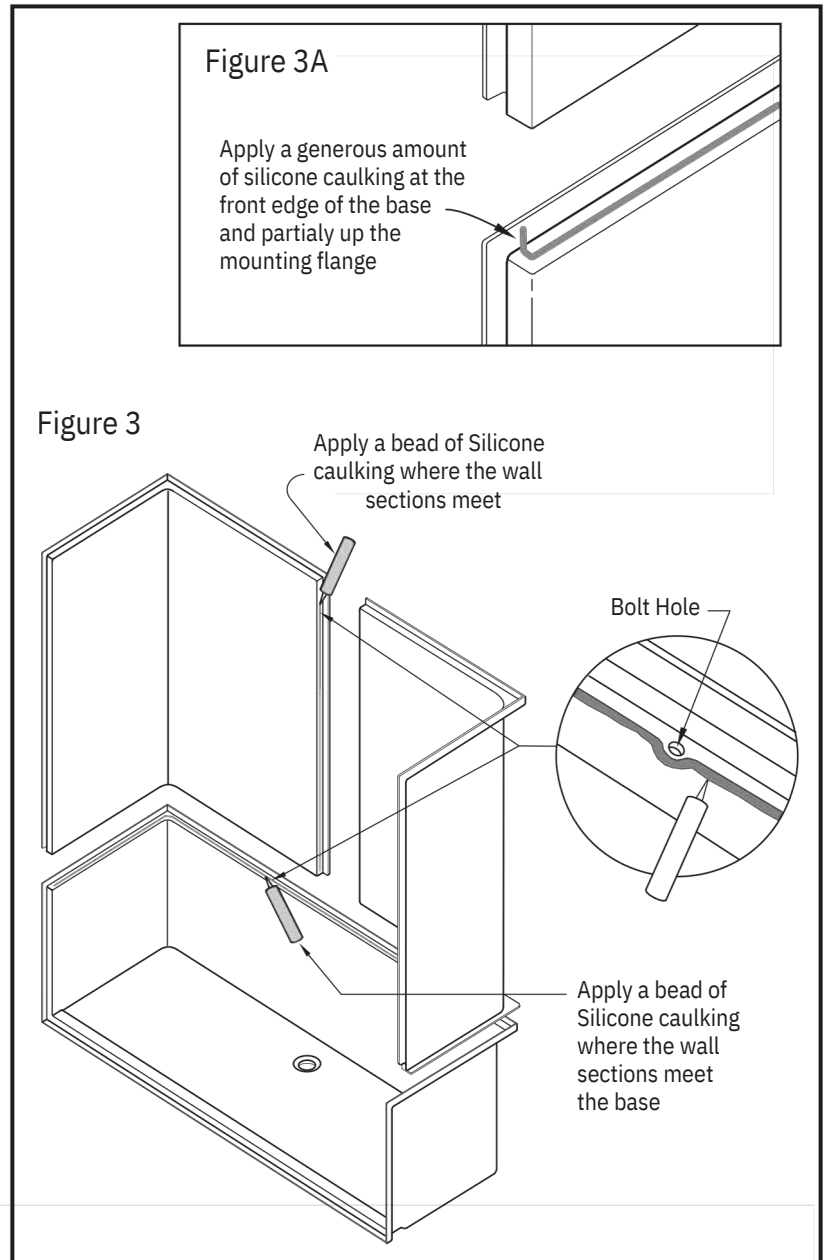
Apply a bead a silicone caulking to the base where the **right wall section** rests on the base and up the vertical seam where the wall sections meet.

The silicone caulking will need to be applied in front of the bolt holes for a water tight seal (Figure 3).

A generous amount of silicone caulking will need to be applied to the **top front edge** of the base and up the nailing flange (Figure 3A). This is to prevent water from weeping into the drywall and behind the unit.

Set left wall section onto the base and attach it with the hardware to the base and left wall section.

****EXCESS SILICONE CAULKING SHOULD BE CLEANED OFF BEFORE IT CURES.**



Setting The Unit: Figures 4 and 5

Install the drain and make sure that it is sealed properly and not leaking.

Test fit the unit into the framed pocket.

Check that the drain is not resting on anything that can force the unit floor upwards. Level and plumb the unit.

Attach the front two vertically flanges with one fastener on each. Using a pencil, create 'line-up marks' on the flanges with the studding or wall board. This will act as a visual reference to plumb and level when resetting the unit into the bedding compound.

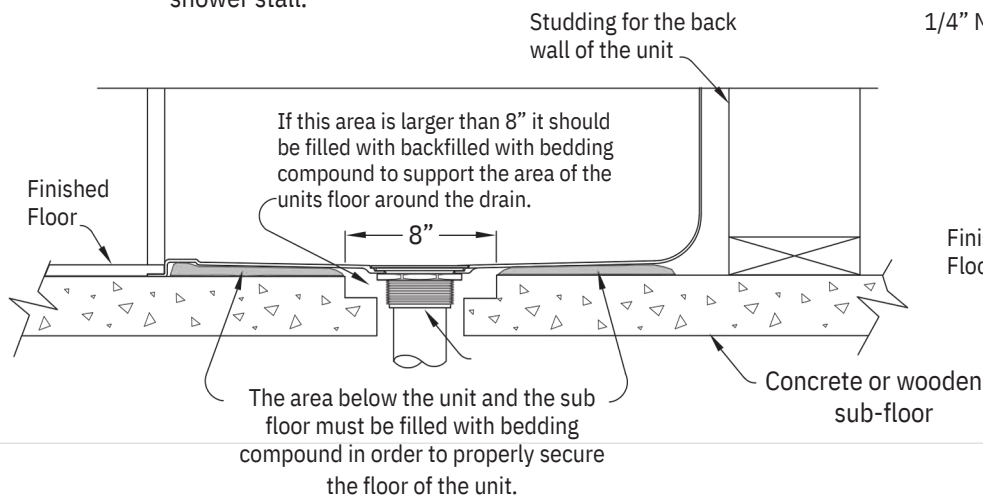
Remove the unit and prepare a bedding compound for the unit to be set into.

Note: The threshold must be flat and level wall to wall for proper drainage.

3 keys to a perfect installation:

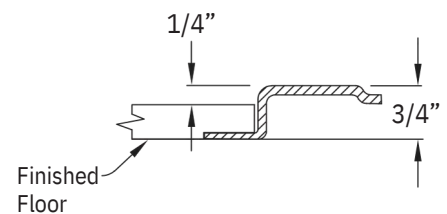
1. Left and Right walls are vertically plumb at the nailing flange.
2. Back wall is level at the horizontal nailing flange.
3. Front floor threshold is level wall to wall.

Figure 4 Below is a cross-section view of the sub-floor bedding compound and the 3/4" threshold shower stall.



3/4" Threshold Detail For ADA

1/4" Maximum: Vertical, rounded or beveled



**** FOAM SHOULD NEVER BE USED AS BEDDING MATERIAL ****

Freedom Showers recommends using thin-set mortar for optimal results.

Setting The Unit: Figures 4 and 5

Mix the bedding compound to a manageable consistency.

If the bedding material is too thick, it may not spread out properly and can cause the unit floor to be forced up. If the bedding material is too thin, it may seep out from under the unit. This can cause improper support of the unit floor.

After mixing the bedding material to a consistency of “cool-whip”, place it onto the floor in mounds, keeping in mind the area around the drain will be thinner due to the slope of the shower floor.

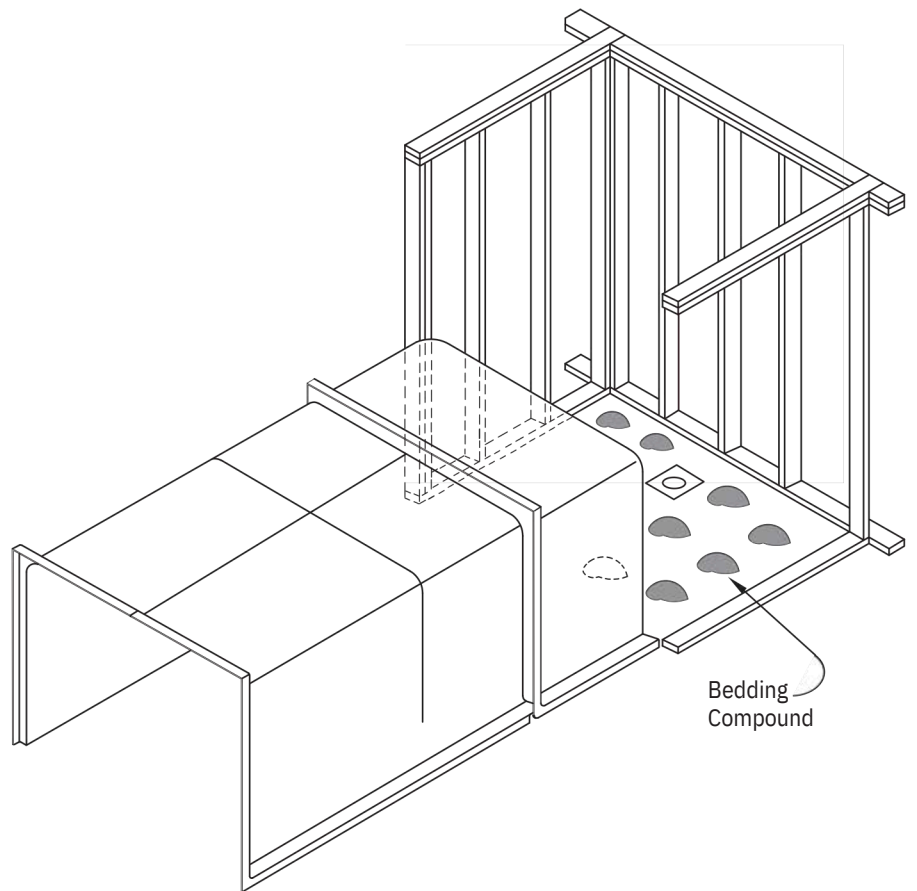
Placing the bedding material in mounds reduces waste and overapplication which may cause the unit to drain improperly or not at all. Lay unit face down in front of the framing pocket.

Stand the unit up and seat in into the framing pocket. Align the flanges of the unit with the pencil marks.

When the unit is set onto the mounds, they will spread out easier than trying to completely cover the entire floor.

Small void areas of 2”-3” are not a problem as the shower floor has sufficient strength to bridge them.

Figure 5



Set the unit in the bedding compound. Align the flanges of the unit with the pencil marks. Check that the unit is plumb and level.

Attach each vertical flange with a fastener so that the unit won't shift. Check the floor of the shower for high spots that could restrict the water drainage. High spots in the bedding compound under the floor may be worked out by applying pressure to the area. If this does not work, remove the unit from the pocket and correct the problem before proceeding.

The threshold of the unit must be flat and level wall to wall for proper drainage.

Securing The Unit: Figure 6

When the unit is plumb and level, including the floor flange (See Floor flange note below), there must be positive slope to the drain. If there is not there is a problem. Remove the unit from the pocket and correct the problem before proceeding. Finish securing the flanges with galvanized nails or screws.

Note: Recheck the floor with a level checking for slope to the drain (min 1/8" over 1 foot) while also looking for any high spots.

Securing The Unit: Figure 6

Floor Flange Note: This unit has an integral floor-mounting flange and must be installed properly to achieve adequate drainage. This flange must be level and attached to the floor before the bedding material cures. If the floor is not flat or level the floor mounting flange MUST be shimmed. Pay close attention that the shims stay in place and that the floor mounting flange is level before securing. A screw should be inserted in the middle of the flange, and screws should be placed every 12" to each side, or as necessary to make sure that there are no bows or bumps in this flange.

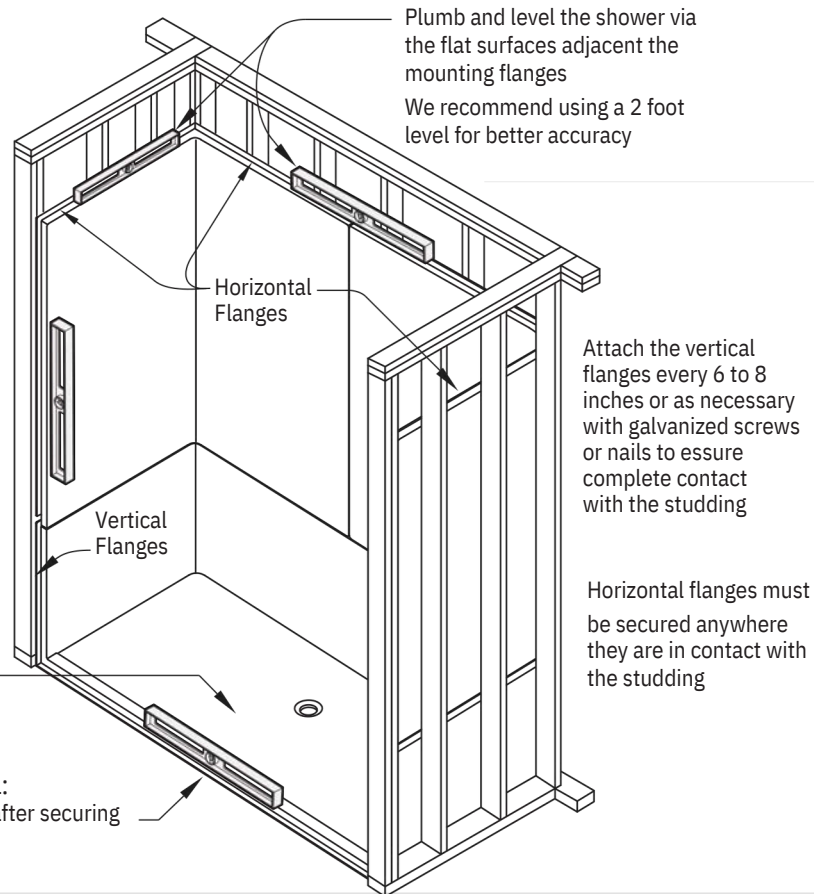
To attach the mounting flange to a cement floor, predrill and counter sink the fiberglass flange to accommodate concrete anchor screws. Tapcon cement screws or anchor screws with expansion adaptors may be used to secure the flange to the floor (Use of any mechanical nailing gun is not a recommended, can cause damage to the fiberglass flange and may result in a void of warranty). After securing the floor flange re-check that proper slope has been achieved in the shower floor. Assure that there are no dips, humps, or other restrictions in the shower floor which will prevent proper water drainage.

WARNING! Avoid standing in the unit until the bedding compound has cured.

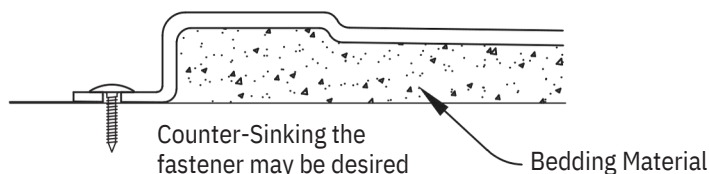
Figure 6

After securing the floor flange, re-check that proper slope has been achieved in the shower floor. Assure there are no dips, humps or other restrictions in the shower floor which would prevent proper water drainage.

The floor flange must be level:
Check and re-check before and after securing



Close up detail of floor mounting flange





Freedom 3 Piece ADA Roll In Shower Installation

Finishing Notes:

A smooth transition between the shower unit and the floor is a requirement for ADA compliance. A floor-leveling agent can be used to smooth the transition between the shower unit and the floor. We recommend Feather Finish for all vinyl applications or grout for tile installations.

Final Notes:

You can finish off your new unit with a variety of materials which are accepted by local building codes. Some ideas are tile, drywall caulking, drywall mud, plaster, wood or plastic trim.

Clean your new shower with a liquid detergent and warm water.

Do not use any abrasive cleaners such as scouring powder or liquid abrasive cleaners.

WHEN A BEDDING MATERIAL IS USED UNDER A UNIT; CEMENT SLURRY, THIN SET MORTAR MIX, OR A COMPARABLE FLOOR FILLING COMPOUND THAT IS NOT WATER SOLUBLE ARE PROPER BEDDING COMPOUNDS. WATER SOLUBLE MATERIALS, FOAM AND OTHER EXPANDING MATERIALS ARE NEVER TO BE USED AS A BEDDING COMPOUND.

IF YOU HAVE ANY QUESTIONS REGARDING INSTALLATION OF YOUR FREEDOM SHOWERS BATHING PRODUCT, PLEASE CALL OUR CUSTOMER SERVICE DEPARTMENT AT 1 (877) 947-7769 OR BY E-MAIL AT: apsupport@accessibilitypro.com

JOB SITE INSTALLATION OF OWNER SUPPLIED ACCESSORIES

All Freedom Showers units purchased with supplied grab bars and/or seat are custom reinforced at the factory to accommodate the mounting of said bars and seat.

Any grab bars or seat installed on a Freedom Showers unit at the job site must have proper backing plates at all mounting areas and should comply with ANSI A117.1, Uniform Federal Accessibility Standards (UFAS) and ASTM F446 specifications for grab bars and seat in the bathing area.

Job-site installation of third party supplied grab bars and seat is entirely at the risk and full responsibility of the owner. Any damage to Freedom Showers units or the property during or after grab bar and seat installation, or any injuries due to improper installation remain the sole responsibility of said owner and cannot be attributed to Freedom Showers Inc.



**ACCESSIBILITY
PROFESSIONALS**

WWW.FREEDOMSHOWERS.COM

T. 1-877-947-7769

FS-6436 3-PC Shower-C-05-01-25