

# Freedom ADA Transfer Shower Pan 38" x 38"

MODEL: APF3838BFPANRRF



Made in USA



30-Year Warranty

## EXTERIOR DIMENSIONS:

38 1/2" x 37 3/8" x 4 1/2"

## INSIDE DIMENSIONS:

36" W x 36" D

## FEATURES:

- Inside dimensions: 36" x 36"
- ADA shower pan with Return Receiver Flange
- 3/4" barrier free threshold
- Pre-leveled and reinforced shower base for easy installation
- Fiberglass construction
- Durable, easy-to-clean applied acrylic
- Textured Floor

## ACCESSORY PACKAGES AVAILABLE:

ADA Accessory Package includes:

- Reversible, L-shaped folding shower seat
- Grab bars (Inside corner and straight)
- Soap dish, stainless

Water Retention Package includes:

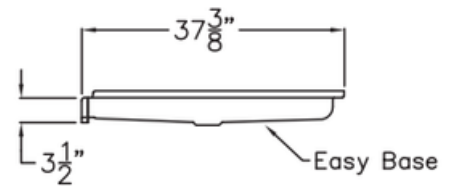
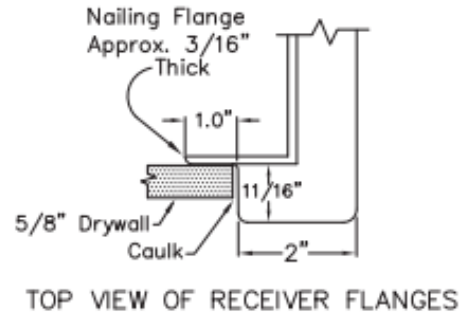
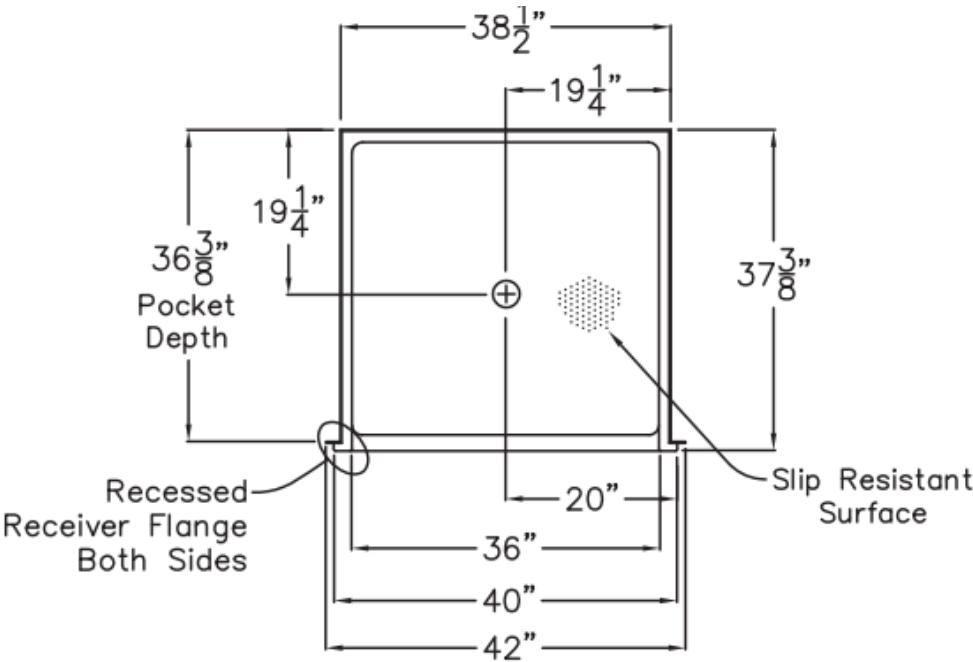
- Collapsible water retainer with end caps
- Weighted shower curtain
- Curtain rod

## INDIVIDUAL ACCESSORIES AVAILABLE:

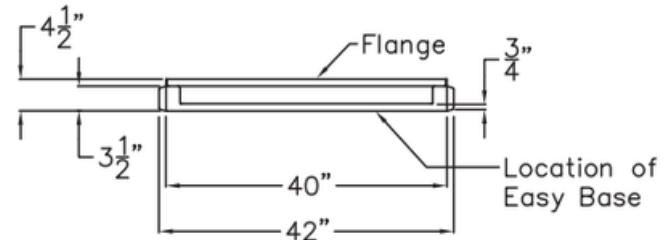
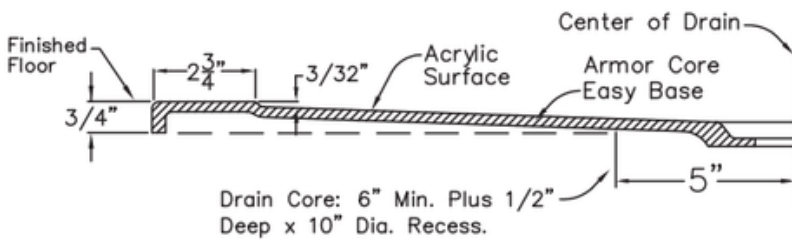
- Reversible, L-shaped folding shower seat
- Grab bars (Inside corner and straight)
- Soap dish, stainless
- Adjustable handheld shower kit with bar
- ADA pressure-balanced shower valve
- Collapsible water retainer with end cap
- Weighted shower curtain and rod
- Drain and chrome strainer

# Freedom ADA Transfer Shower Pan 38" x 38"

MODEL: APF3838BFPANRRF



## Detail of .75" Threshold



### NOTES:

Dimensional Tolerance  $\pm 1/2"$ .  
Accessibility Professionals Inc.  
assumes no responsibility for prep work

### CODE COMPLIANCE:

- IPC International Plumbing Code
- UPC Uniform Plumbing Code
- ADA Accessibility Guidelines for Buildings and Facilities
- ANSI A117.1 Accessible and Usable Buildings and Facilities
- ANSI Z124.2 Standards for Plastic Showers
- CSA Canadian Standards Association

### FRAME-IN DIMENSIONS:

A	38 3/4"
B	19 3/8"
C	36 3/8"
D	19 1/4"

