

Freedom Easy Step Shower 60" x 31" Left or Right drain

MODEL: APF6030SH5P LR



Left Drain Option Shown



Made in USA



30-Year Warranty

EXTERIOR DIMENSIONS:

60" L x 31" W x 79.5" H

FEATURES:

- 5-piece for remodeling
- 4" Easy Step threshold
- Pre-leveled and reinforced shower base for easy installation
- Left or right drain for bathtub replacement
- Molded soap ledge
- Fiberglass construction
- Durable and easy-to-clean applied acrylic with 8" tile pattern
- Fully reinforced walls that offers strength and ease of installation for accessories

ACCESSORY PACKAGE AVAILABLE:

Residential Safety package includes:

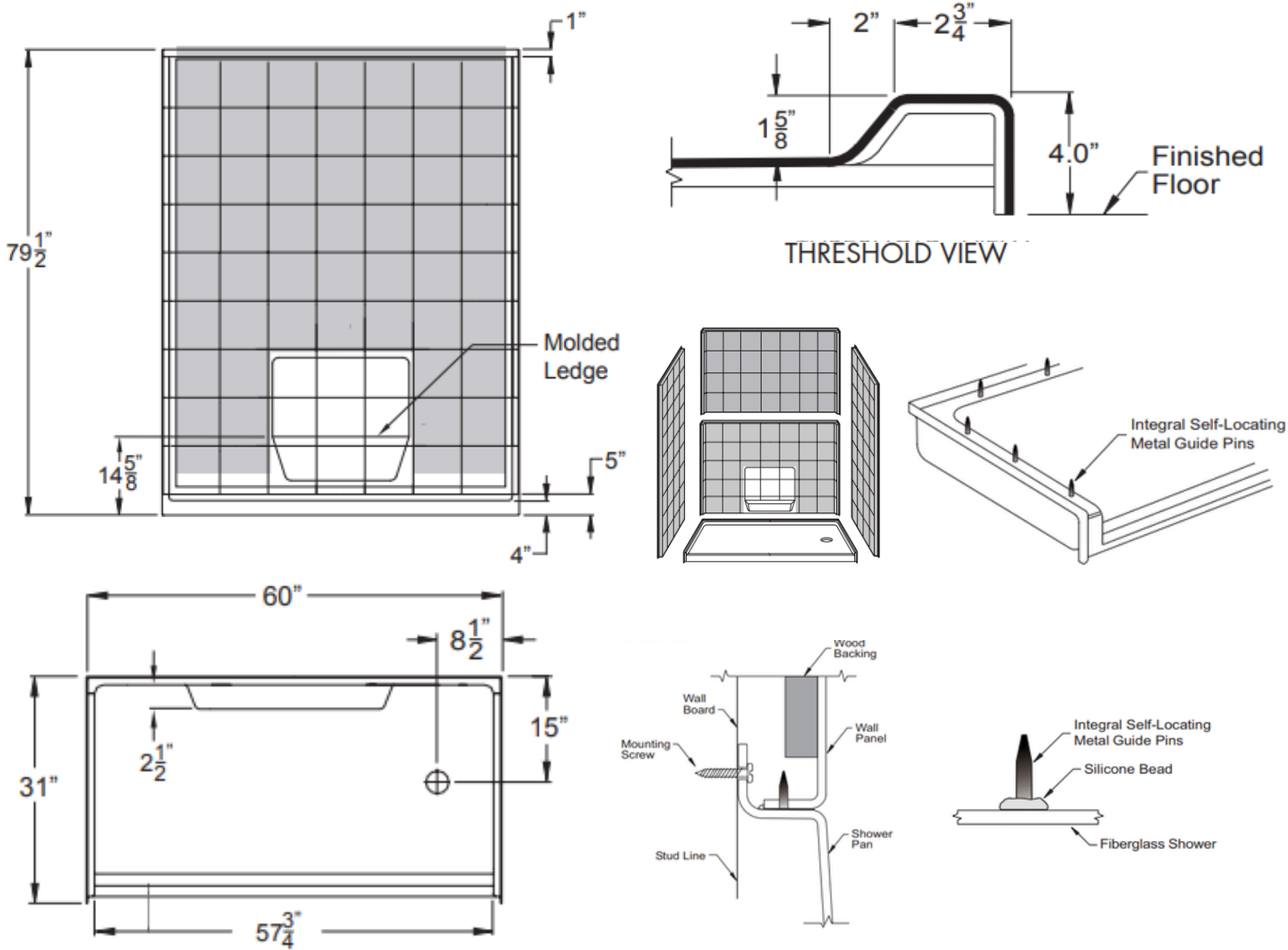
- Fold-up shower bench (various styles)
- Grab bars (various styles)

INDIVIDUAL ACCESSORIES AVAILABLE:

- Fold-up shower bench (various styles)
- Grab bars (various styles and sizes)
- Adjustable handheld shower kit with bar
- ADA pressure-balanced shower valve
- Weighted shower curtain and rod
- Drain and chrome strainer

Freedom Easy Step Shower 60" x 31" Left or Right drain

MODEL: APF6030SH5P LR



NOTES:

Dimensional Tolerance $\pm 1/2"$.
Accessibility Professionals Inc.
assumes no responsibility for prep work

CODE COMPLIANCE:

- ANSI Z124.2 Standards for Plastic Showers
- CSA Canadian Standards Association

FRAME-IN DIMENSIONS:

A	60 1/4"
B	8 5/8"
C	31"
D	15"

