

Designer Residential Safety Package, Matte Black Linear grab bars and 18" x 15 3/4" Folding Seat – Choose slats

MODEL: APHRSPKG18MB

FOLDING SHOWER SEAT DIMENSIONS:

18" x 15 3/4"

MOUNTING HEIGHT:

At your desired height for residential use

WEIGHT CAPACITY: 500LBS

FEATURES:

- 1" thick, durable, recyclable, HDPE slats
- Slats available in 8 different wood grain looks
- Wall supported with 8 screw ports
- Matte black stainless steel frame and barrel
- Folds flat against the wall, only 2 7/8" thick
- 500 lb. weight capacity when properly installed

LINEAR MATTE BLACK GRAB BARS:

This package comes with three grab bars:

- 2 x 24" Matte Black Linear grab bars
- 1 x 36" Matte Black Linear grab bars
- 1 1/4" diameter

WEIGHT CAPACITY: 500LBS

FEATURES:

- 18 gauge 304 stainless steel
- Easy flange access, with concealed flange covers
- Use 2" wood screws to mount flanges to wood blocking



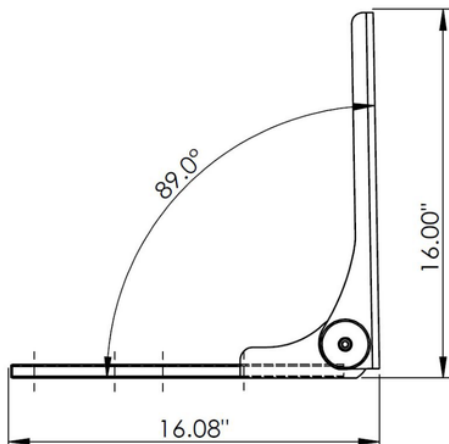
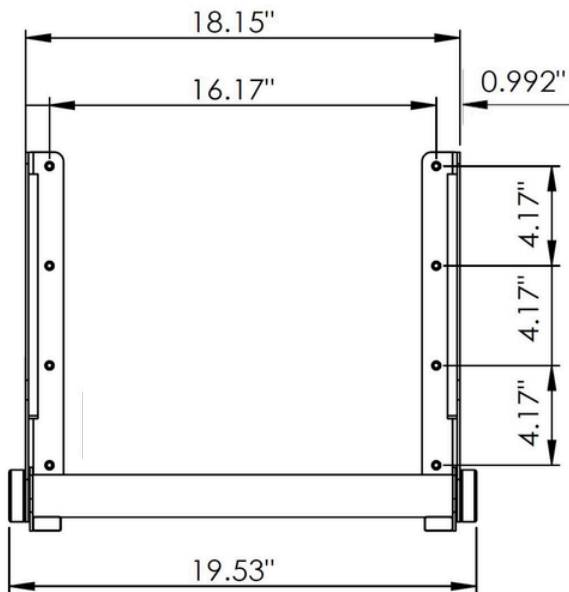
Built in USA



1 Year Seat Warranty

18" x 15 3/4" Folding Shower Seat, Matte Black frame, HDPE slats

MODEL: APHRSPKG18MB



SEAT ARCHITECTURAL SPECIFICATIONS:

MATERIALS:

- Frame: 12 gauge, type 304 stainless steel
- Slats are durable, recyclable HDPE

INSTALLATION:

- The two upper slats are removable to access the 8 wall mounting screw ports. (2 1/2" stainless screws included)
- 18" wide seat mounts on 16" center to match wall stud centers.
- Consult with a qualified contractor to ensure you have sufficient in wall backing to support the seat.

OPERATION:

- Stainless steel barrel of the seat frame allows the bottom to fold up flat against the wall, 2 7/8" protrusion, when not in use.

SEAT TOP CHOICES:

Birchwood



Coastal Gray



Driftwood Gray



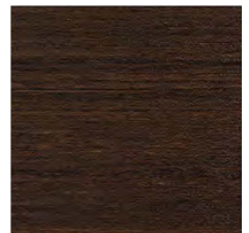
Antique Mahogany



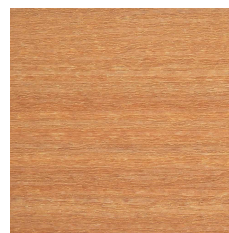
Walnut



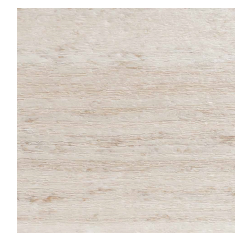
Brazilian Walnut



Teak

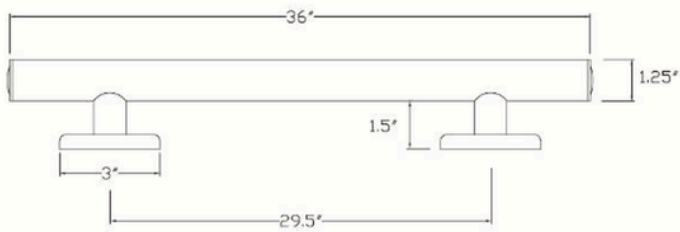


Seashell

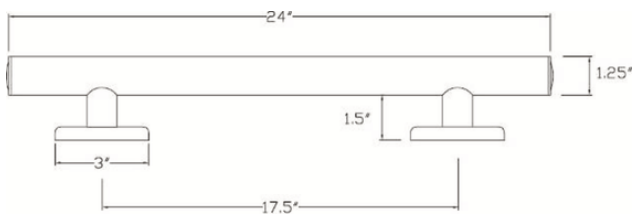
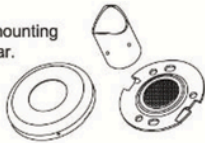


Matte Black Linear grab bars

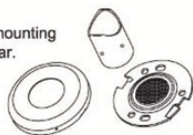
MODEL: APHRSPKG18MB



Easy to mount flange!
3 Set Screws on post allow pre-mounting
to the wall before attaching the bar.



Easy to mount flange!
3 Set Screws on post allow pre-mounting
to the wall before attaching the bar.



SEAT ARCHITECTURAL SPECIFICATIONS:

MATERIALS:

- 18-gauge 304 stainless steel
- Matte black finish

INSTALLATION:

- Easy flange access, with concealed flange covers
- Use 2" wood screws to mount flanges to wood blocking