

# Acrylic Barrier Free Shower Pan 60" x 32" Center Drain

MODEL: APA6032BFPAN

**EXTERIOR DIMENSIONS:** 60" X 32" X 3"

**INTERIOR DIMENSIONS:** 55 1/2" X 29"



## FEATURES:

- 3/4" barrier free threshold (requires mudset)
- Acrylic Shower Pan
- Includes polished drain assembly
- Center drain location
- Textured slip resistant floor

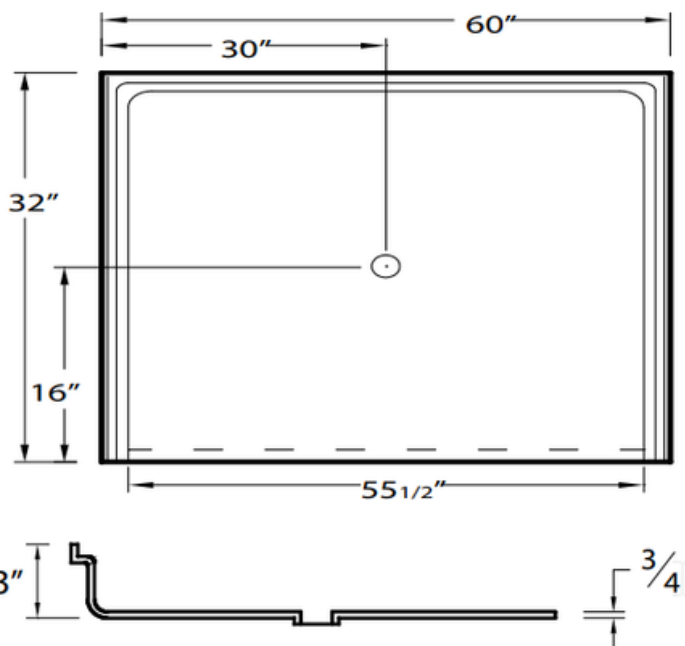
## ACCESSORY PACKAGE AVAILABLE:

Residential Safety Package includes:

- Grab bars x 3
- Wall-mounted, folding shower seat

## INDIVIDUAL ACCESSORIES AVAILABLE:

- Collapsible water retainer with end caps
- Color upgrade to biscuit



## CODE COMPLIANCE:

- ANSI Z124.2 Standards for Plastic Showers
- cULus safety standards

## NOTES:

Dimensional Tolerance  $\pm 3/8"$ .  
Drawing not to scale  
Accessibility Professionals Inc.  
assumes no responsibility for prep work



Made in USA