

Acrylic Barrier Free Shower Pan 48" x 48" Center Drain

MODEL: APA4848BFPAN

EXTERIOR DIMENSIONS: 48" X 48" X 3"

INTERIOR DIMENSIONS: 45" X 45"



FEATURES:

- 3/4" barrier free threshold (requires mudset)
- Acrylic Shower Pan
- Includes polished drain assembly
- Center drain location
- Textured slip resistant floor

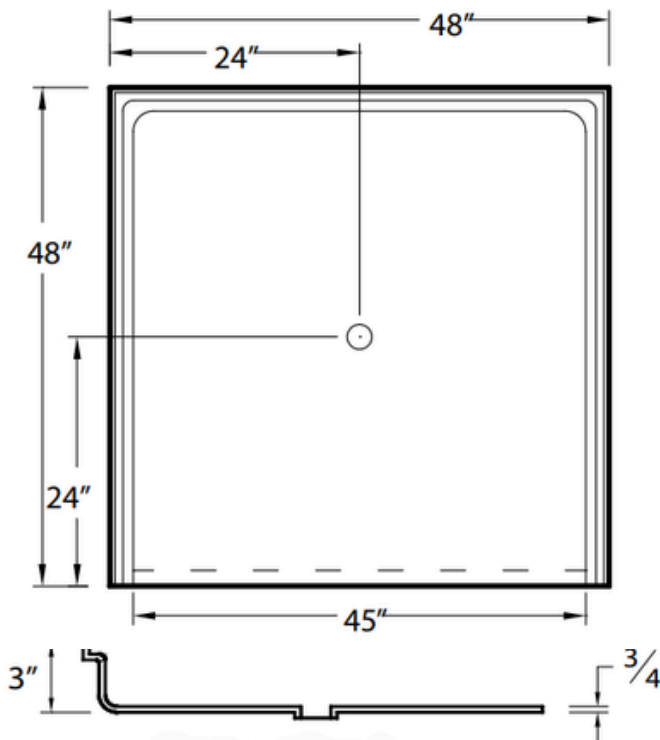
ACCESSORY PACKAGE AVAILABLE:

Residential Safety Package includes:

- Grab bars x 3
- Wall-mounted, folding shower seat

INDIVIDUAL ACCESSORIES AVAILABLE:

- Collapsible water retainer with end caps
- Color upgrade to biscuit



CODE COMPLIANCE:

- ANSI Z124.2 Standards for Plastic Showers
- cULus safety standards

NOTES:

Dimensional Tolerance $\pm 3/8"$.
Drawing not to scale
Accessibility Professionals Inc.
assumes no responsibility for prep work



Made in USA