

# 18" x 16" Profile Shower Bench, Grab bar hung with backrest

MODEL: APFSSGBH-180160PT (TEAK)  
APFSSGBH-180160PB (BLACK)



**DIMENSIONS:**

**18" x 16"**

**MOUNTING HEIGHT:**

At your desired height for residential use

**WEIGHT CAPACITY:**

**250lbs**

**FEATURES:**

- Durable phenolic slatted top and backrest
- Available in Teak or Black (specify when ordering)
- Satin Stainless Frame
- 18" grab bar is included to hang the seat from
- Folding seat for a slim profile when not in use, or for easy storage
- 250 lb. weight capacity when properly installed



Built in USA



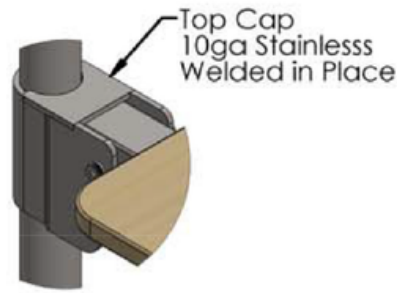
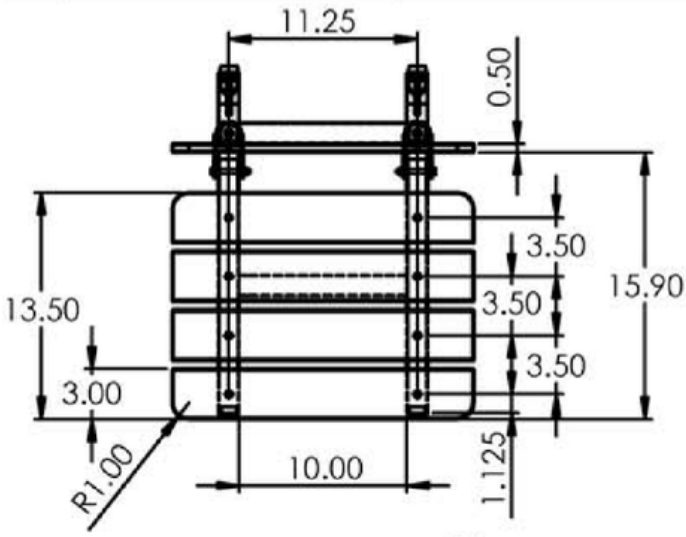
1 Year Seat Warranty

**CODE COMPLIANCE:**

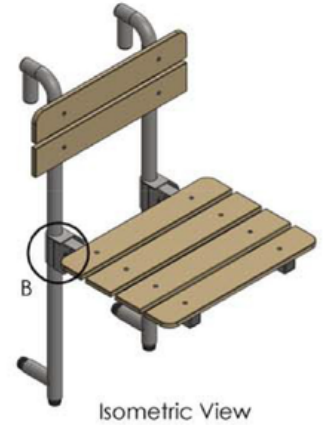
- ADA 610.4 Structural Strength
- ADA 309.4 Operation

# 18" x 16" Profile Shower Bench, Grab bar hung with backrest

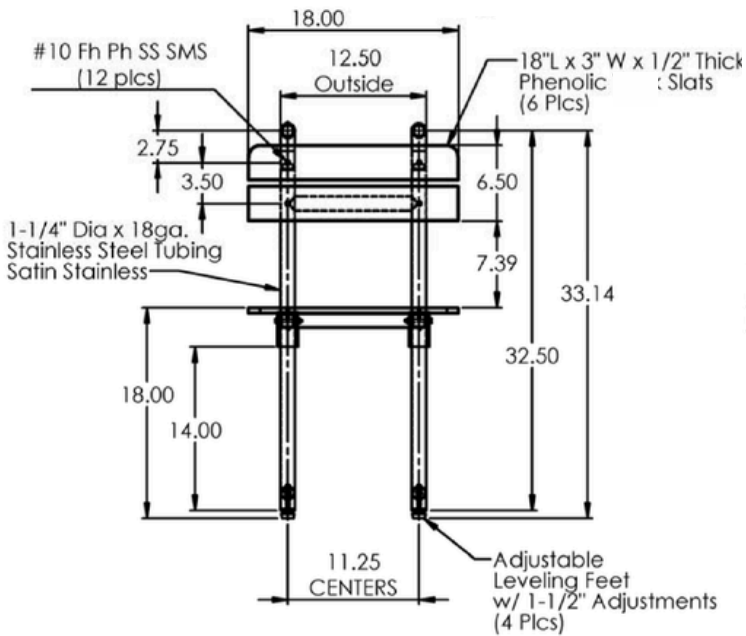
MODEL: APFSSGBH-180160PT (TEAK)  
APFSSGBH-180160PB (BLACK)



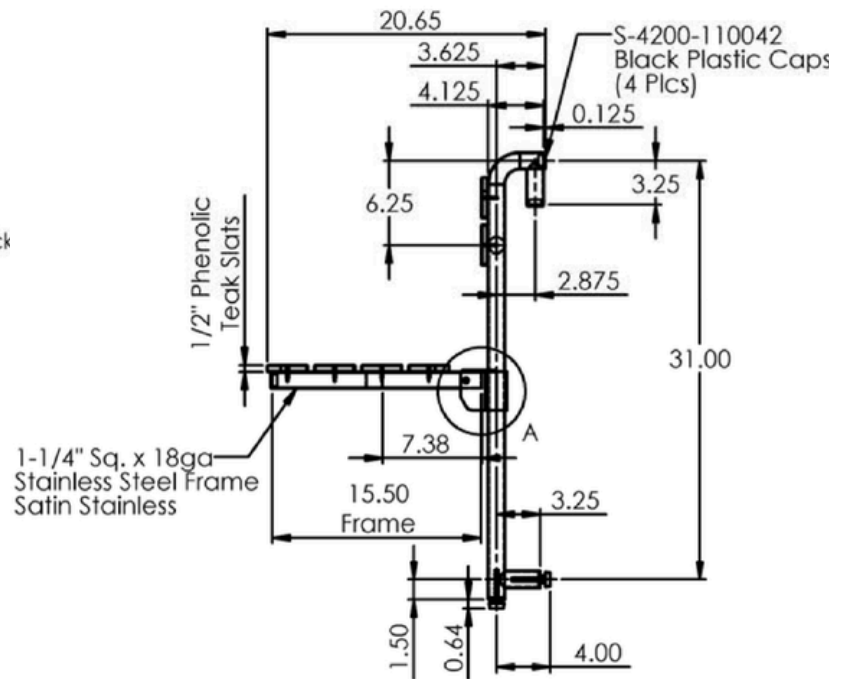
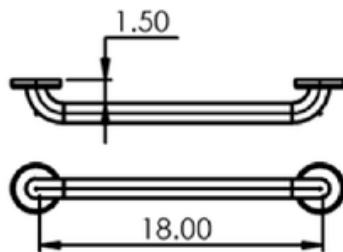
DETAIL B  
SCALE 1 : 3



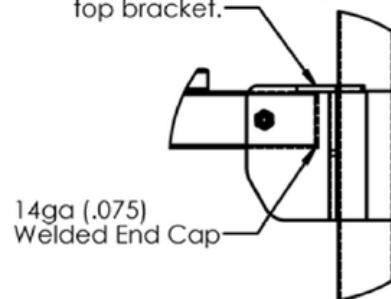
Isometric View



Note: GSS-180-QCR  
Included w/ Every Seat



Weld Top Cap  
in Place.  
Weld all around  
inside bottom edge  
and seam weld along  
top bracket.



DETAIL A  
SCALE 1 : 3