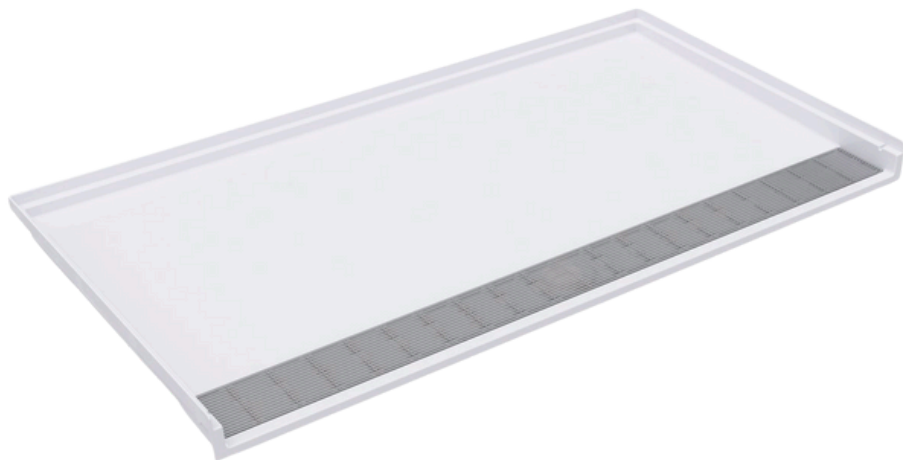


Freedom ADA Shower Pan 61 7/8" x 33" with Linear Drain

MODEL: APF6234LDPANSS



Made in USA



30-Year Warranty

EXTERIOR DIMENSIONS:

61 7/8" x 33"

INTERIOR DIMENSIONS:

60" x 32"

FEATURES:

- Compression-molded solid surface with glass reinforcement technology.
- 3/4" low threshold entry.
- Patented wall-to-wall trench system with attractive 304 Stainless Grate
- Solid surface finish will not mold or mildew, no grout to clean.
- Engineered for strength with molded in structure supports.
- Slip-resistant, textured bottom surface
- Includes standard 2" shower drain

ACCESSORY PACKAGES AVAILABLE:

ADA Package includes:

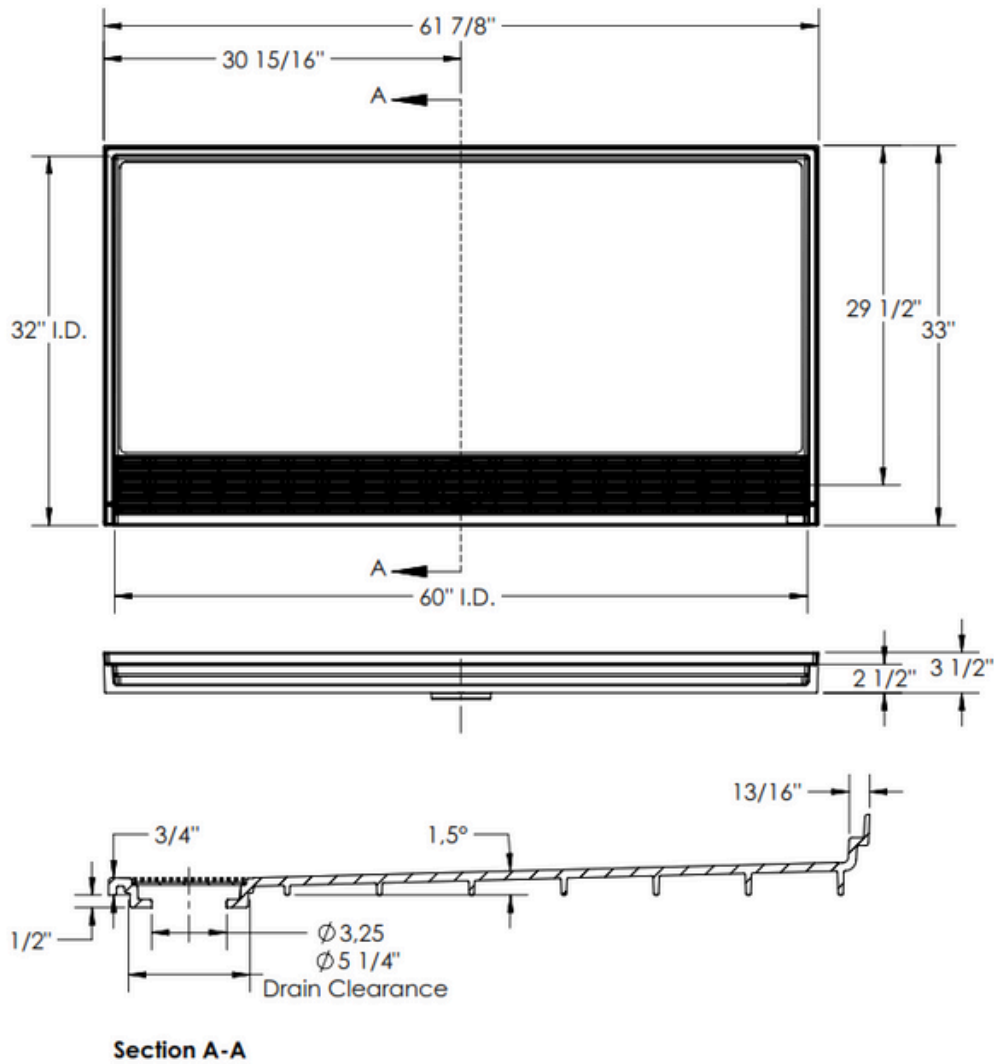
- L-shaped reversible folding shower seat
- Grab bars (2 x 24", 1 x 36")
- Soap dish

ACCESSORIES AVAILABLE:

- L-shaped reversible folding shower seat with legs
- Adjustable handheld shower kit with bar
- ADA pressure-balanced shower valve
- Weighted shower curtain and rod

Freedom ADA Shower Pan 61 7/8" x 33" with Linear Drain

MODEL: APF6234LDPANSS



NOTES:

Dimensional Tolerance $\pm 1/2"$.
Accessibility Professionals Inc. assumes no responsibility for prep work

CODE COMPLIANCE:

- ADA FHA/ANSI B HUD UM773a
- IAPMO B45.5
- UPC Uniform Plumbing Code
- ANSI Z124.2 Standards for Plastic Showers
- IPC International Plumbing Code
- ANSI A117.1 Accessible and Usable Buildings and Facilities
- ANSI Z124.2 Standards for Plastic Showers
- CSA Canadian Standards Association

FRAME-IN DIMENSIONS:

A	62 1/4"
B	31 1/8"
C	33"
D	29 1/2"

