

Freedom Accessible Shower, Inspire Series, Center Drain 60" x 36"

MODEL: APX6036BFKT C



Center Drain Shown



Made in USA



30-Year Warranty

EXTERIOR DIMENSIONS:

60" x 37" x 78"

INTERIOR DIMENSIONS:

57" x 30 5/8"

FEATURES:

- 5-piece shower for remodeling
- 7/8" barrier free threshold
- Pre-levelled shower base
- Full wood backing for installation of weight bearing accessories
- Fiberglass construction
- Applied acrylic finish with subway tile design
- Textured slip-resistant floor
- Center drain location
- Interlock base and wall design
- Drain included, square chrome plate, no caulk
- Large shelf niche with opening for slide bar
- Accepts conventional shower doors

ACCESSORY PACKAGES AVAILABLE:

Residential Safety Package includes:

- Fold-up wall-mounted shower bench
- 3 x Grab bars

Water Retention Package includes:

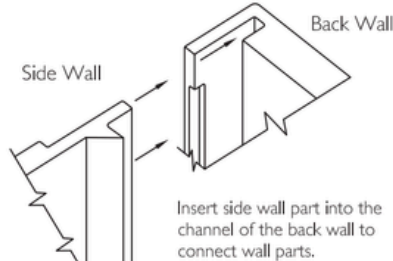
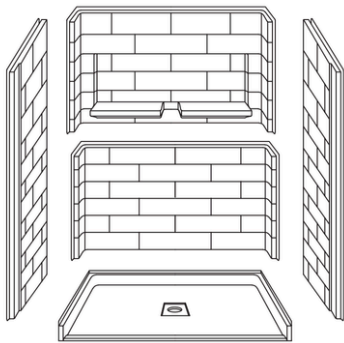
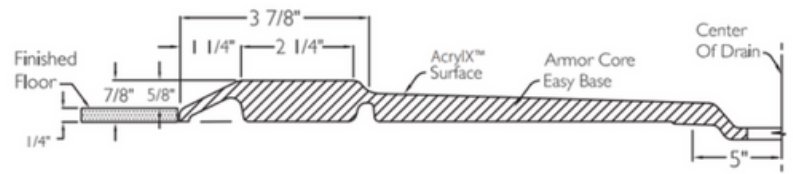
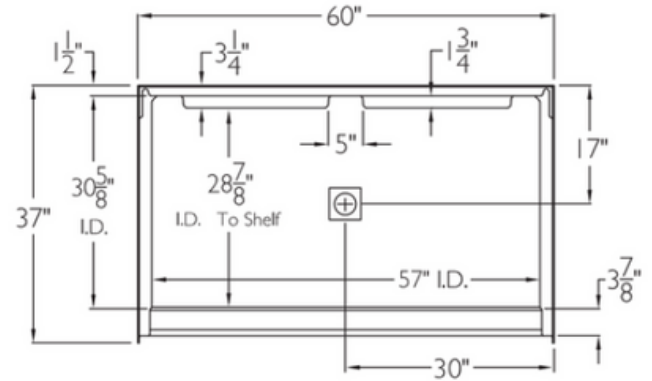
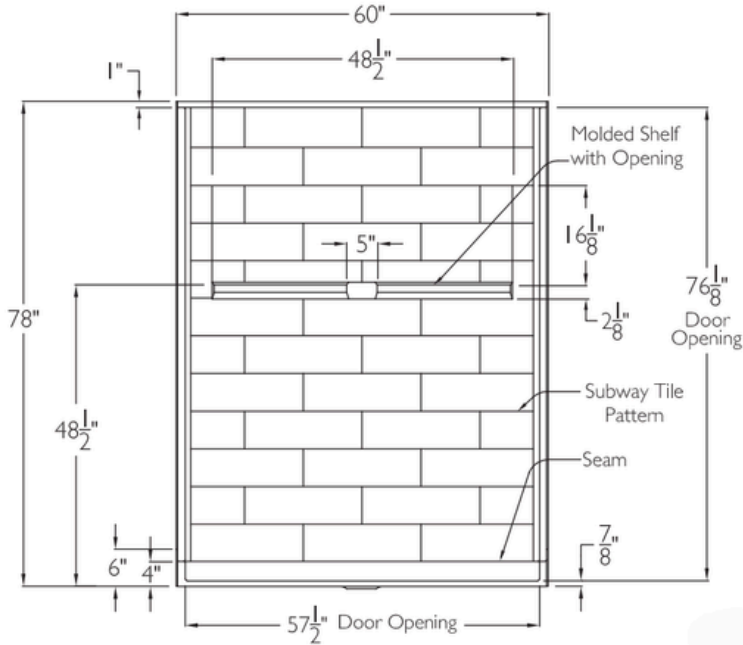
- Collapsible water retainer with end caps
- Weighted shower curtain and rod

INDIVIDUAL ACCESSORIES AVAILABLE:

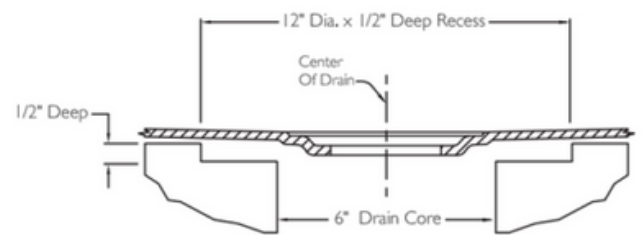
- Fold-up shower bench (various styles)
- Grab bars (various styles and sizes)
- Adjustable handheld shower kit with bar
- ADA pressure-balanced shower valve
- Collapsible water retainer with end caps
- Weighted shower curtain and rod

Freedom Accessible Shower, Inspire Series, Center drain 60" x 36"

MODEL: APX6036BFKT C



COMES WITH NO CAULK DRAIN and Square Strainer Plate



NOTES:

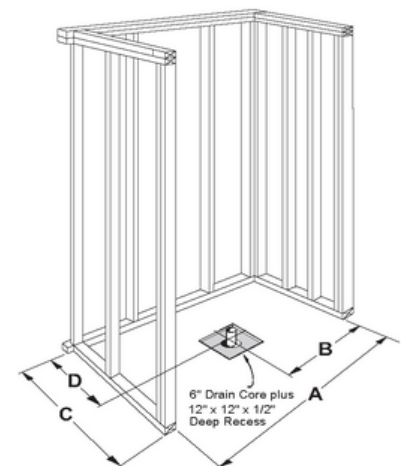
Dimensional Tolerance $\pm 1/2"$.
Accessibility Professionals Inc.
assumes no responsibility for prep work

CODE COMPLIANCE:

- IPC International Plumbing Code
- UPC Uniform Plumbing Code
- ANSI Z124.2 Standards for Plastic Showers
- CSA Canadian Standards Association

FRAME-IN DIMENSIONS:

A	60 1/4"
B	30 1/8"
C	37"
D	17"



Freedom Accessible Shower, Inspire Series, Center Drain 60" x 36"

MODEL: APX6036BFKT C
SHOWN WITH OPTIONAL ACCESSORIES



OPTIONAL ACCESSORY PACKAGES

RESIDENTIAL SAFETY PACKAGES AVAILABLE:

Option 1 (SHOWN UPPER IMAGE)

- Padded white folding shower seat with legs
- 3 x Satin stainless grab bars (2 x 18" , 1 x 36")

Option 2

- Slatted white folding shower seat with legs
- 3 x Satin stainless grab bars (2 x 18" , 1 x 36")

Option 3

- Padded white folding shower seat with legs
- 3 x Polished steel grab bars (2 x 18" , 1 x 36")

Option 4

- Slatted white folding shower seat with legs
- 3 x Polished steel grab bars (2 x 18" , 1 x 36")

Option 5 (SHOWN LOWER IMAGE)

- Driftwood Gray HDPE folding shower seat with polished frame
- 2 x 24" Polished linear grab bars
- 1 x 36" Polished linear grab bars

PLUMBING FIXTURE PACKAGES:

Option 1 (SHOWN UPPER IMAGE)

- Adjustable handheld shower kit with satin stainless bar and adjustable bracket
- ADA pressure-balanced shower valve

Option 2 (SHOWN LOWER IMAGE)

- Adjustable handheld shower kit with polished linear bar and adjustable bracket
- ADA pressure-balanced shower valve