

# Freedom ADA Roll-In Shower Pan 63" x 42" Center Drain

MODEL: APC6342BFPANC



#### EXTERIOR DIMENSIONS:

63" x 41 5/8" x 6 3/8"

#### INSIDE DIMENSIONS:

60 1/2" x 39 1/4"

#### FEATURES:

- ADA & Title 24 Compliant (Chapter 11A & 11B)
- 3/4" barrier free threshold
- Pre-leveled and reinforced shower base for easy installation
- Centre drain location
- Fiberglass construction
- Durable, easy-to-clean applied gel coat
- Textured floor
- **Installation Note:** Pan installs directly on level subfloor. Finish flooring up to threshold as shown in detail

#### ACCESSORY PACKAGES AVAILABLE:

ADA Accessory Package includes:

- Reversible, L-shaped folding shower seat
- Grab bars x 3
- Soap dish, stainless

#### INDIVIDUAL ACCESSORIES AVAILABLE:

- Reversible, L-shaped folding shower seat
- Grab bars
- Soap dish, stainless
- Collapsible water retainer with end cap
- Weighted shower curtain and rod
- Drain and stainless steel strainer
- Adjustable handheld shower kit with bar and ADA pressure-balanced shower valve



Made in USA

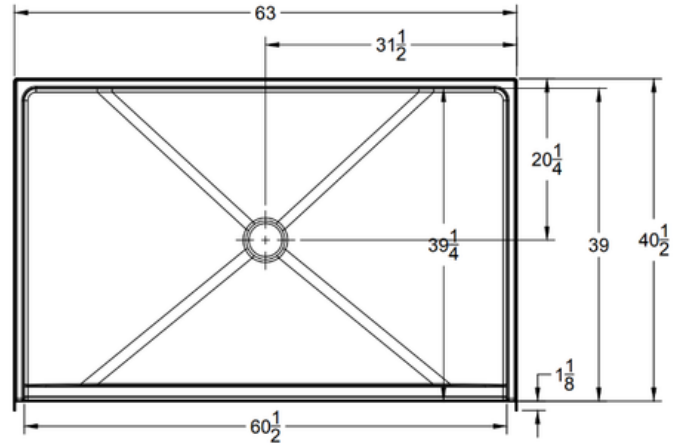
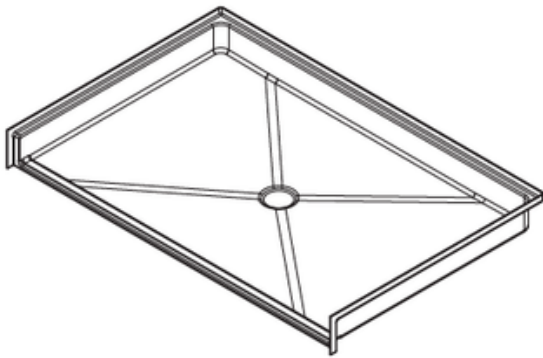


30-Year Warranty

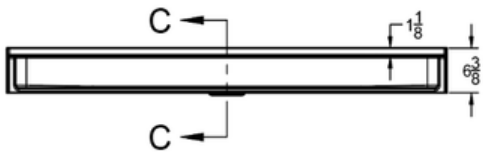
ADA compliant with correct ADAAG accessory installation

# Freedom ADA Roll-in Shower Pan 63" x 42" Center Drain

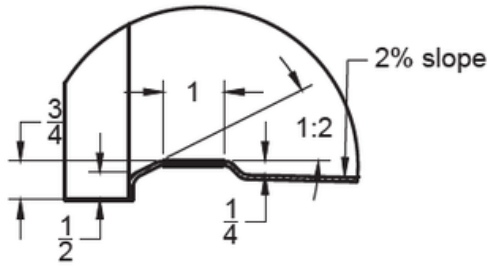
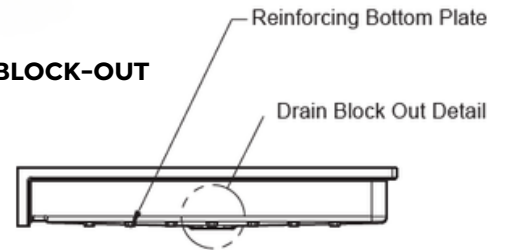
MODEL: APC6342BFPANC



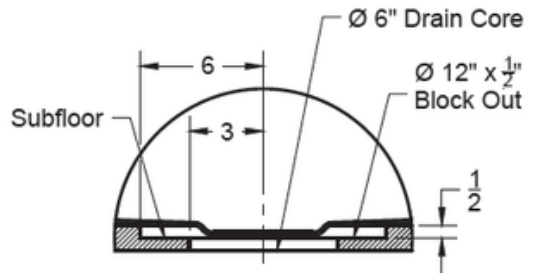
**THRESHOLD (SECTION C-C)**



**DRAIN BLOCK-OUT**



**Threshold**



**Drain Block-Out**

**Pan installs directly on level subfloor**

**NOTES:**

Dimensional Tolerance  $\pm 1/2"$ .  
Accessibility Professionals Inc. assumes no responsibility for prep work

**CODE COMPLIANCE:**

- ADA
- California Title 24 (Chapter 11A & 11B)
- ICC A117.1 - 2017 ANSI Type A
- CSA B45.5-11 / IAPMO Z124-2017
- WAC 388-78A-3030
- UPC Uniform Plumbing Code

**FRAME-IN DIMENSIONS:**

A	63 1/8"
B	41 5/8"
C	31 9/16"
D	20 1/4"

