

Freedom ADA Roll-In Shower 64" x 36"

MODEL: APF6436BF3P LR



Made in USA



30-Year Warranty

ADA compliant with correct ADAAG accessory installation

EXTERIOR DIMENSIONS:

64" x 36"

INSIDE DIMENSIONS:

60" x 33"

FEATURES:

- 3-piece shower stall for remodeling
- 3/4" low threshold
- Pre-leveled and reinforced shower base for easy installation
- Handed by seat side, left or right (seat available to add)
- Center rear drain location
- Fiberglass construction
- Durable, easy-to-clean applied acrylic with smooth walls
- Fully reinforced walls offer strength and easy installation of accessories

ADA ACCESSORY PACKAGE AVAILABLE:

Factory-installed package includes

- Fold-up L-shaped shower seat
- 3 x Grab bars
- Surface mount soap dish
- Curtain rod
- Drain and chrome strainer

INDIVIDUAL ACCESSORIES AVAILABLE:

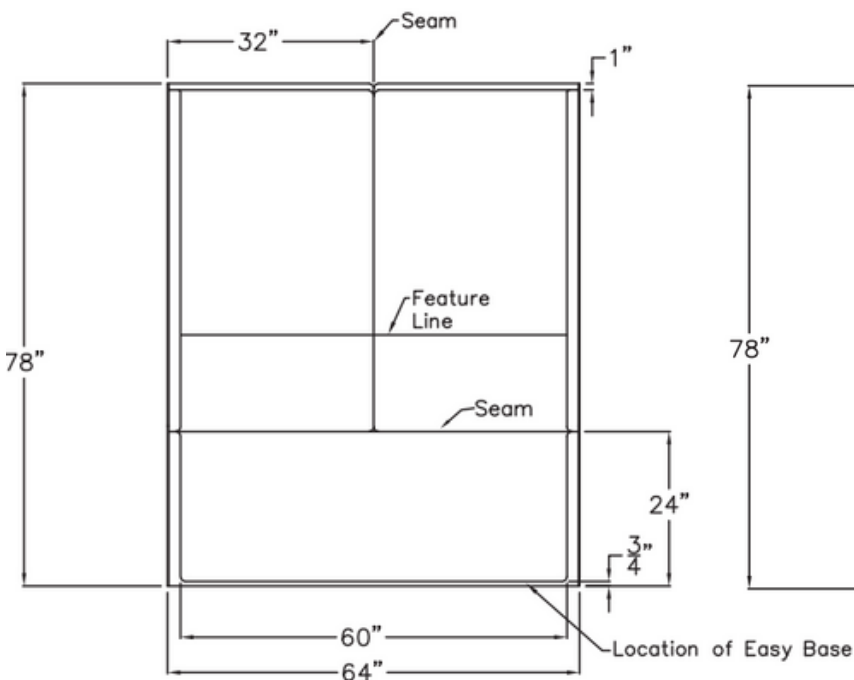
- Grab bars
- L-shaped folding shower seat
- Adjustable handheld shower kit with bar
- ADA pressure-balanced shower valve
- Collapsible water retainer with end caps
- Weighted shower curtain and rod
- Drain and chrome strainer
- Flange trim kit
- Soap dish

Freedom ADA Roll-In Shower

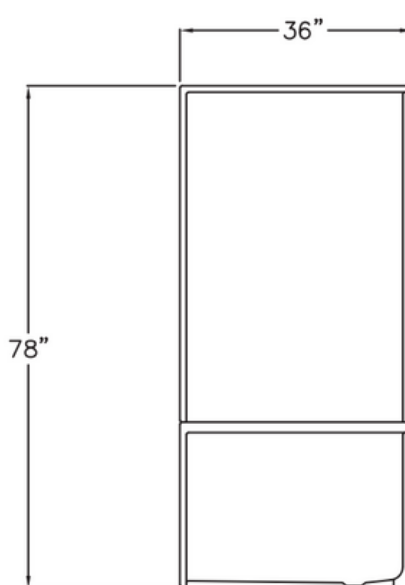
64" x 36"

MODEL: APF6436BF3P LR

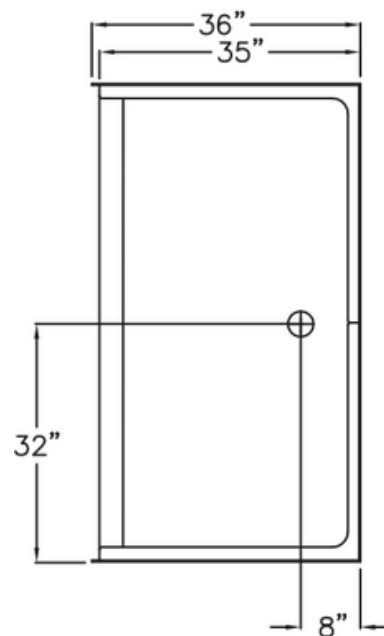
Front View



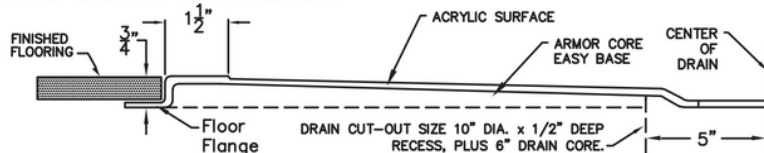
Side View



Top View



Cross Section of Threshold



NOTES:

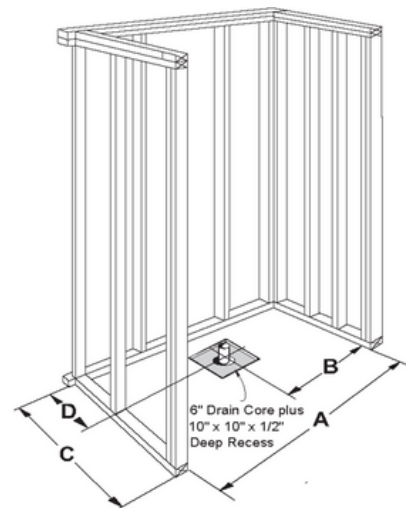
Dimensional Tolerance $\pm 1/2"$.
 Accessibility Professionals Inc. assumes no responsibility for prep work

CODE COMPLIANCE:

- ADA Accessibility Guidelines for Buildings and Facilities
- ANSI A117.1 Accessible and Useable Buildings and Facilities
- HUD-UM73
- IPC International Plumbing Code
- UPC Uniform Plumbing Code
- ANSI Z124.2 Standards for Plastic Showers
- CSA Canadian Standards Association

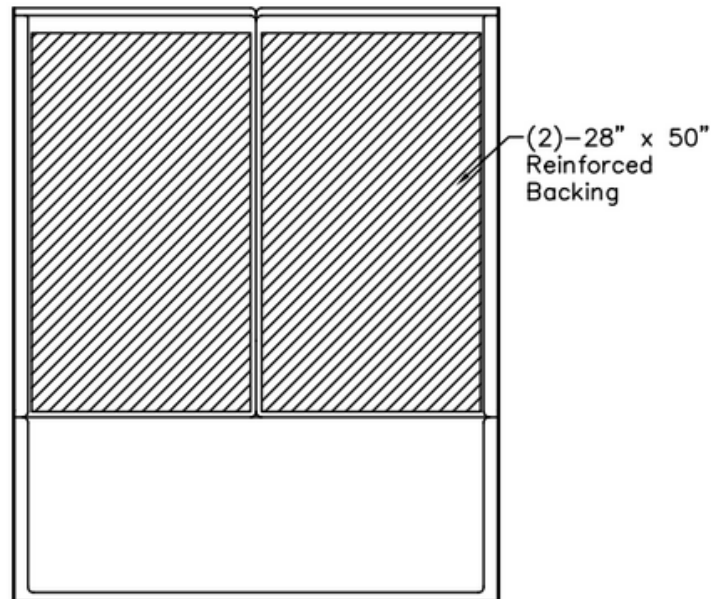
FRAME-IN DIMENSIONS:

A	64 1/4"
B	32 1/8"
C	36"
D	8"

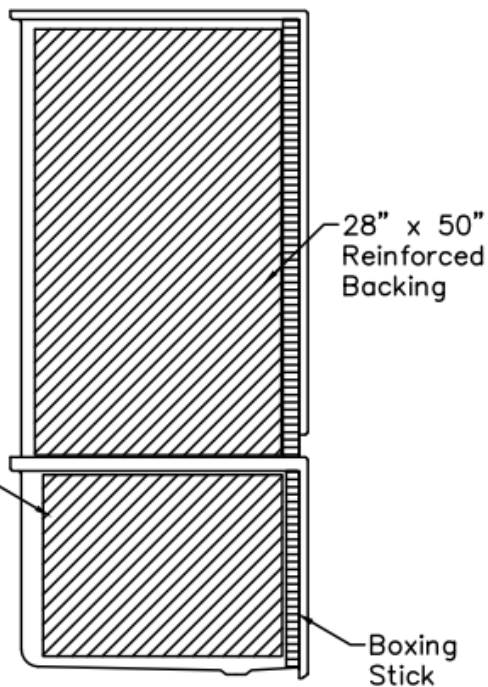


Reinforced Backing Details

Front View



Side View



Side View

