

Freedom ADA Transfer Shower 38" x 38" Center Drain

MODEL: APC3838BF1PRF-R



Right Flange placement shown above



Made in USA



30-Year Warranty

EXTERIOR DIMENSIONS:

38" x 38" x 77 3/4"

INSIDE DIMENSIONS:

36" x 36"

FEATURES:

- ADA Compliant
- 5/8" threshold with pre-leveled and reinforced shower base for easy installation
- 1-piece for new construction
- Center drain location
- Handed by the seat/flange, Left or Right
- Fiberglass construction
- Durable, easy-to-clean applied gel coat
- Textured slip resistant floor
- Fully reinforced walls that offers strength and ease of installation for accessories
- **Installation Note:** Shower installs directly on level subfloor. Finish flooring up to threshold as shown in detail

ADA ACCESSORY PACKAGE AVAILABLE:

Factory-installed package includes:

- Fold-up L-shaped shower seat with legs
- 2 x Grab bars, Inside Corner and Straight
- Recessed soap dish
- Curtain rod
- Drain and stainless steel strainer

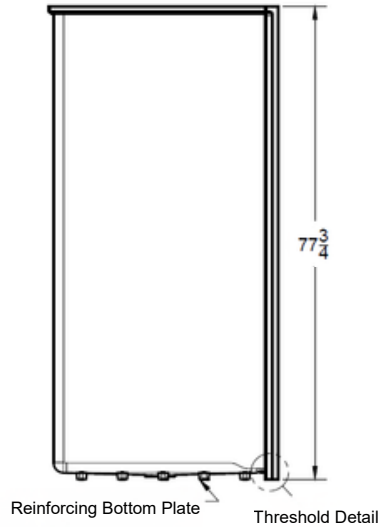
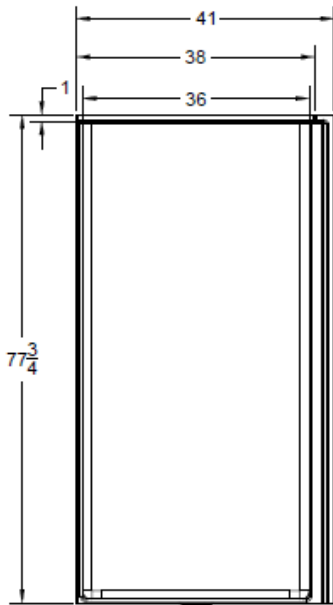
INDIVIDUAL ACCESSORIES AVAILABLE:

- Fold-up reversible shower bench
- Grab bars, straight and corner
- Adjustable handheld shower kit with bar
- ADA pressure-balanced shower valve
- Weighted shower curtain and rod
- Drain and stainless steel strainer

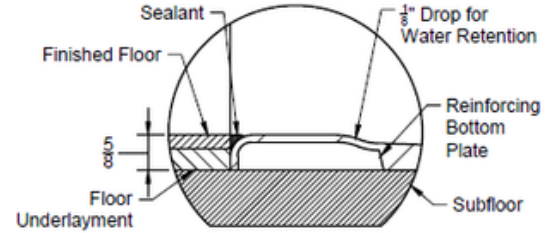
ADA compliant with correct ADAAG accessory installation

Freedom ADA Transfer Shower 38" x 38" Center Drain

MODEL: APC3838BF1PRF-R
Right Flange Placement Shown Below

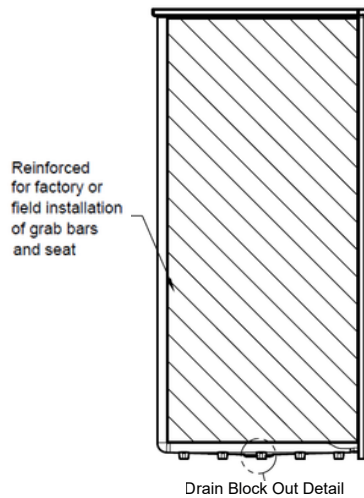
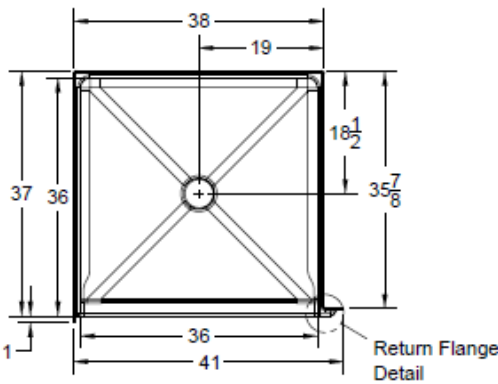
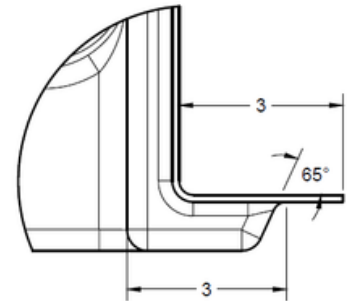


THRESHOLD DETAIL

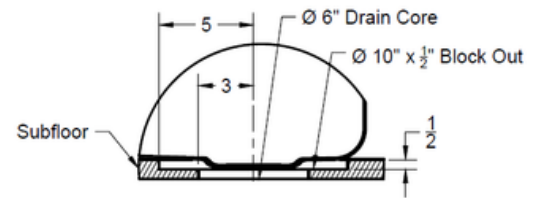


Shower installs directly on level subfloor

RETURN FLANGE DETAIL



DRAIN BLOCK OUT DETAIL



NOTES:

Dimensional Tolerance $\pm 1/2"$.
Accessibility Professionals Inc. assumes no responsibility for prep work

CODE COMPLIANCE:

- ADA
- HUD / FHA
- ICC A117.1 - 2017 ANSI Type A
- CSA B45.5-11 / IAPMO Z124-2017
- UPC Uniform Plumbing Code

FRAME-IN DIMENSIONS:

A	38 1/8"
B	38"
C	19 1/16"
D	18 1/2"
E	35 7/8"

