

## APC3838BF1PRF L/R Accessory Package

PART #: APCACCPKG3838SD L/R



**NOTE:**

- Right handed seat/flange placement shown above
- Handheld and mixing valve sold separately
- ADA compliant with correct ADAAG accessory installation

Factory-installed accessories can ensure precise ADA-compliant placement and reduce installation time.

**FACTORY-INSTALLED PACKAGE INCLUDES:**

- Fold-up L-shaped shower seat with legs
- 1 x L-shaped grab bar - size 18" x 33"
- 1 x straight grab bar - length 18"
- Recessed soap dish
- Curtain rod
- Drain and stainless steel strainer

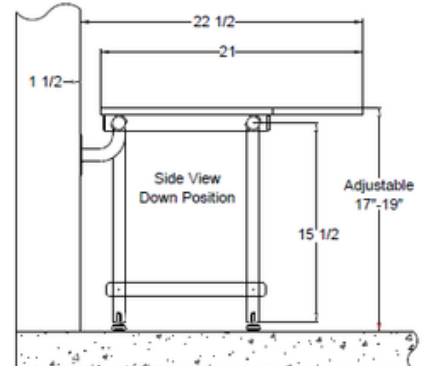
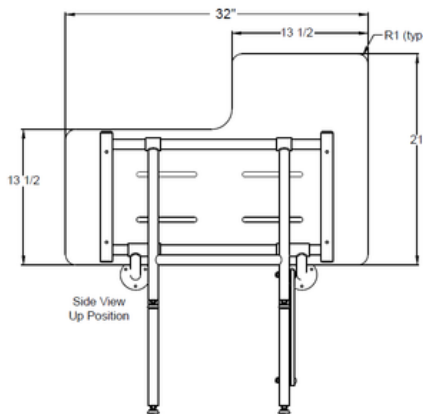
**INDIVIDUAL ACCESSORIES AVAILABLE:**

- Fold-up reversible shower bench
- Grab bars, straight and corner
- Adjustable handheld shower kit with bar
- ADA pressure-balanced shower valve
- Weighted shower curtain and rod
- Drain and stainless steel strainer

### ADA L-Shaped Shower Seat

MODEL: APCSSL2-32225PWSFI /  
APCSSR2-32225PWSFI

ADA folding shower seats feature durable, water-resistant phenolic slats with a stainless steel frame and legs, supporting up to 1,000 lbs.



# APC3838BF1PRF L/R

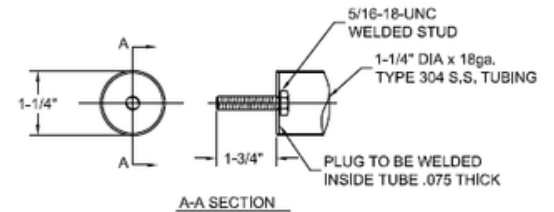
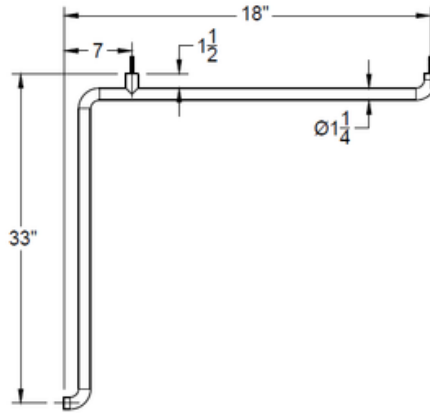
## Accessory Package

PART #: APCACCPKG3838SD L/R

### L-Shaped Grab Bar

MODEL: APCGB1833SSFI

Satin stainless steel L-Shaped grab bars are installed at the factory and can support up to 250 lbs.

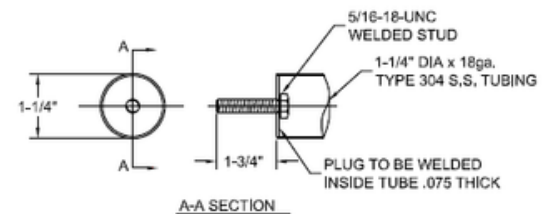
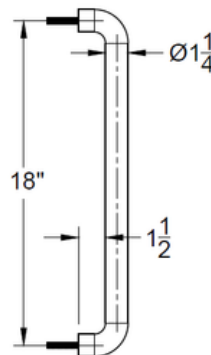


(QNS) NO FLANGE, FIXED STUD DETAIL

### Straight Grab Bar

MODEL: APCGB2837SSFI

Satin stainless steel straight grab bars are installed at the factory and can support up to 250 lbs.

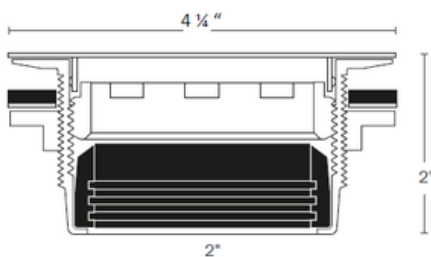


(QNS) NO FLANGE, FIXED STUD DETAIL

### Drain Assembly

MODEL: APCACCPKG6336SD

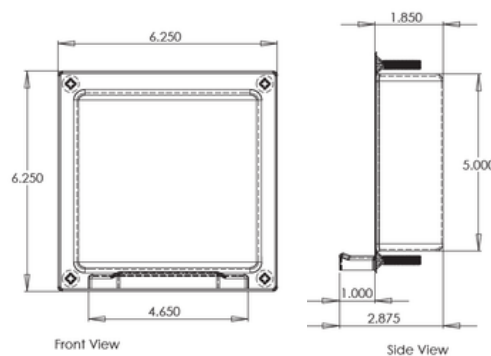
Brass body with stainless steel strainer.



### Recessed Soap Dish

MODEL: APCSDSSFI

Stainless steel recessed soap dish with lip.



### Curtain Rod

MODEL: APCCRSS36FI

