

Freedom ADA Transfer Shower 38" x 38" Center Drain

MODEL: APC3838BF1PRF-L



Left Flange placement shown above



Made in USA



30-Year Warranty

EXTERIOR DIMENSIONS:

38" x 38" x 77 3/4"

INSIDE DIMENSIONS:

36" x 36"

FEATURES:

- ADA Compliant
- 5/8" threshold with pre-leveled and reinforced shower base for easy installation
- 1-piece for new construction
- Center drain location
- Handed by the seat/flange, Left or Right
- Fiberglass construction
- Durable, easy-to-clean applied gel coat
- Textured slip resistant floor
- Fully reinforced walls that offers strength and ease of installation for accessories
- **Installation Note:** Shower installs directly on level subfloor. Finish flooring up to threshold as shown in detail

ADA ACCESSORY PACKAGE AVAILABLE:

Factory-installed package includes:

- Fold-up L-shaped shower seat with legs
- 2 x Grab bars, Inside Corner and Straight
- Recessed soap dish
- Curtain rod
- Drain and stainless steel strainer

INDIVIDUAL ACCESSORIES AVAILABLE:

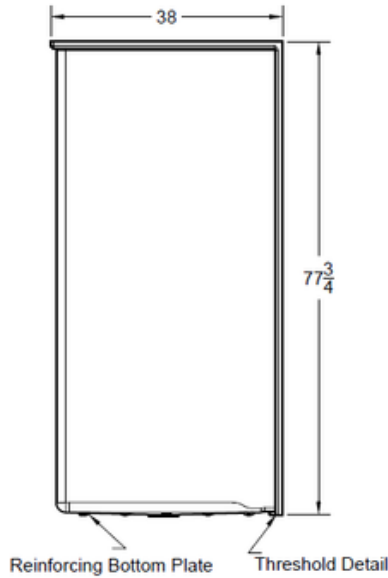
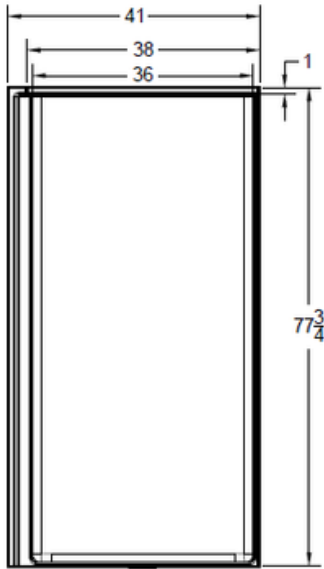
- Fold-up reversible shower bench
- Grab bars, straight and corner
- Adjustable handheld shower kit with bar
- ADA pressure-balanced shower valve
- Weighted shower curtain and rod
- Drain and stainless steel strainer

ADA compliant with correct ADAAG accessory installation

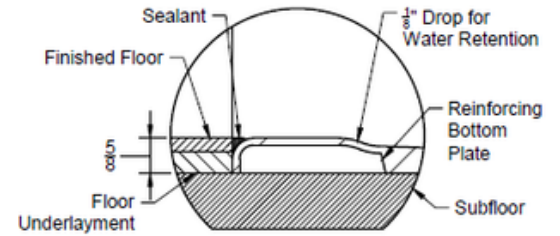
Freedom ADA Transfer Shower 38" x 38" Center Drain

MODEL: APC3838BF1PRF-L

Left Flange Placement Shown Below

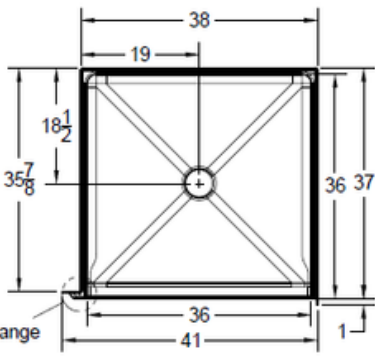
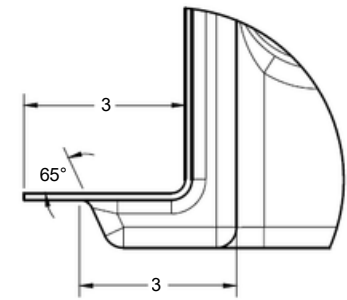


THRESHOLD DETAIL

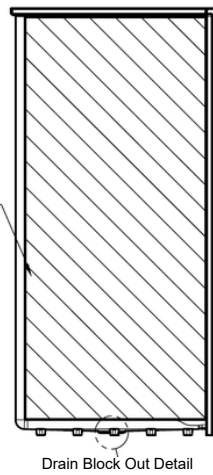


Shower installs directly on level subfloor

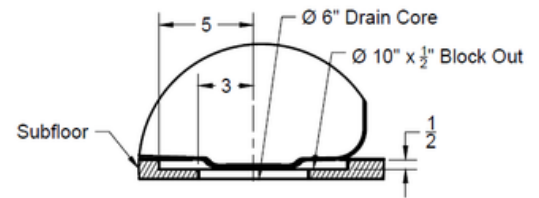
RETURN FLANGE DETAIL



Reinforced for factory or field installation of grab bars and seat



DRAIN BLOCK OUT DETAIL



NOTES:

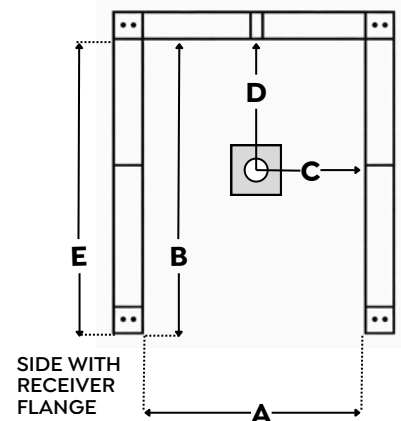
Dimensional Tolerance $\pm 1/2"$.
Accessibility Professionals Inc. assumes no responsibility for prep work

CODE COMPLIANCE:

- ADA
- HUD / FHA
- ICC A117.1 - 2017 ANSI Type A
- CSA B45.5-11 / IAPMO Z124-2017
- UPC Uniform Plumbing Code

FRAME-IN DIMENSIONS:

A	38 1/8"
B	38"
C	19 1/16"
D	18 1/2"
E	35 7/8"



SIDE WITH RECEIVER FLANGE