



Freedom ADA Roll-In Shower Pan 63" x 32" Center Drain

MODEL: APC6332BFPANC



EXTERIOR DIMENSIONS:

63" x 32 1/2" x 5 3/8"

INSIDE DIMENSIONS:

60" x 30"

FEATURES:

- ADA & Title 24 Compliant (Chapter 11A & 11B)
- 3/4" barrier free threshold
- Pre-leveled and reinforced shower base for easy installation
- Centre drain location
- Fiberglass construction
- Durable, easy-to-clean applied gel coat
- Textured floor

ACCESSORY PACKAGES AVAILABLE:

ADA Accessory Package includes:

- Reversible, L-shaped folding shower seat
- Grab bars x 3
- Soap dish, stainless

INDIVIDUAL ACCESSORIES AVAILABLE:

- Reversible, L-shaped folding shower seat
- Grab bars
- Soap dish, stainless
- Collapsible water retainer with end cap
- Weighted shower curtain and rod
- Drain and stainless steel strainer
- Adjustable handheld shower kit with bar and ADA pressure-balanced shower valve



Made in USA

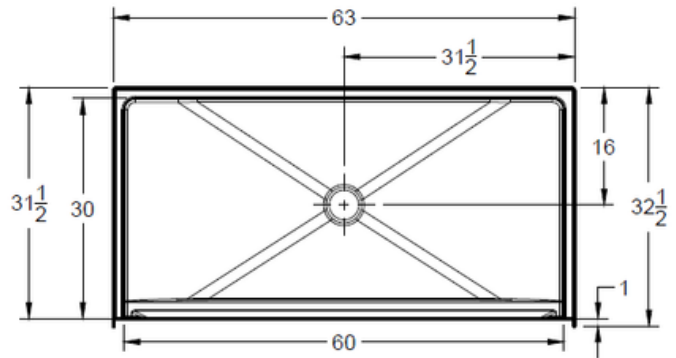
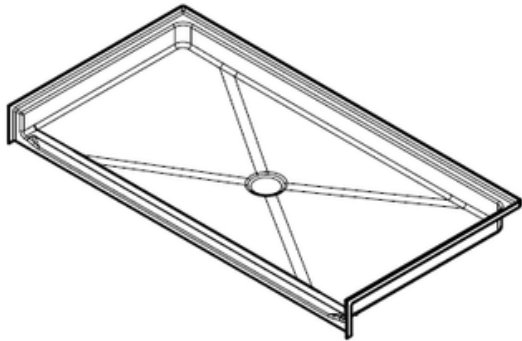


30-Year Warranty

ADA compliant with correct ADAAG accessory installation

Freedom ADA Roll-in Shower Pan 63" x 32" Center Drain

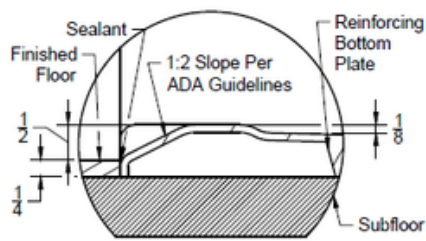
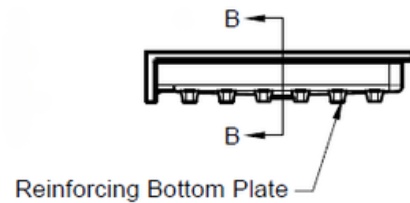
MODEL: APC6332BFPANC



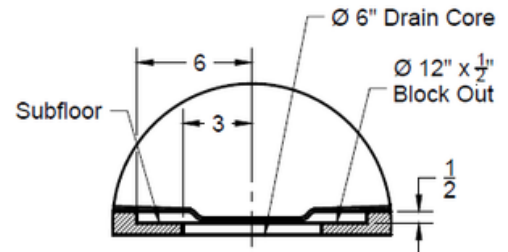
THRESHOLD (SECTION A-A)



DRAIN BLOCK-OUT (SECTION B-B)



Threshold



Drain Block-Out

NOTES:

Dimensional Tolerance $\pm 1/2"$.
Accessibility Professionals Inc. assumes no responsibility for prep work

CODE COMPLIANCE:

- ADA
- California Title 24 (Chapter 11A & 11B)
- ICC A117.1 - 2017 ANSI Type A
- CSA B45.5-11 / IAPMO Z124-2017
- UPC Uniform Plumbing Code

FRAME-IN DIMENSIONS:

A	63 1/8"
B	32 1/2"
C	31 9/16"
D	16"

