

Freedom ADA Transfer Shower Pan 38" x 37" Center Drain

MODEL: APC3837BFPANRRF



Made in USA



30-Year Warranty

EXTERIOR DIMENSIONS:

38 1/2" x 37 1/4" x 4 1/4"

INSIDE DIMENSIONS:

36" x 36"

FEATURES:

- ADA & Title 24 Compliant (Chapter 11B)
- 5/8" barrier free threshold
- Pre-leveled and reinforced shower base for easy installation
- Centre drain location
- Fiberglass construction
- Durable, easy-to-clean applied gel coat
- Textured floor

ACCESSORY PACKAGES AVAILABLE:

ADA Accessory Package includes:

- Reversible, L-shaped folding shower seat
- Grab bars x 3
- Soap dish, stainless

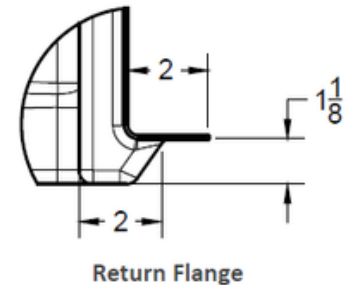
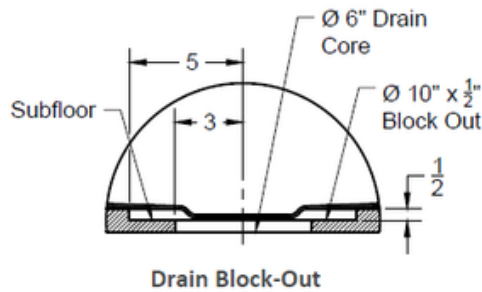
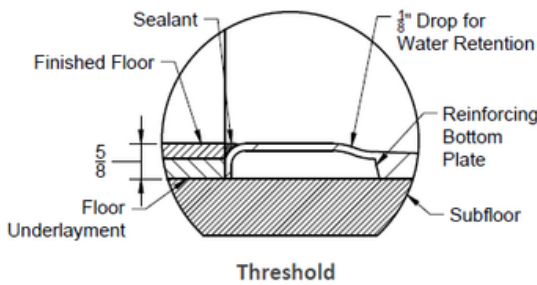
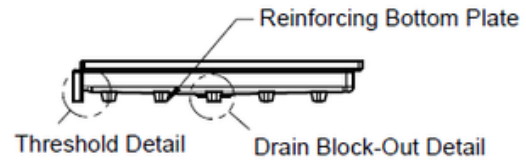
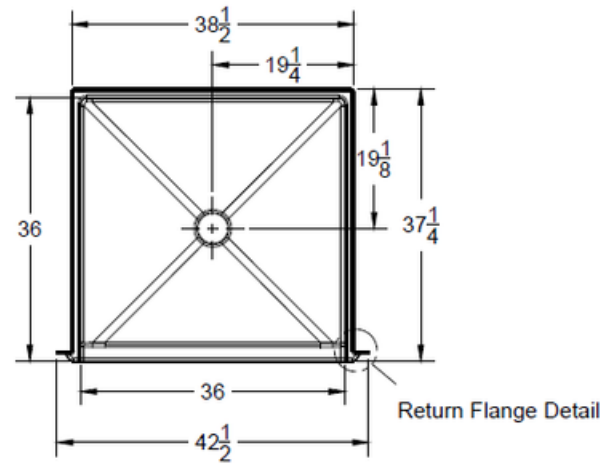
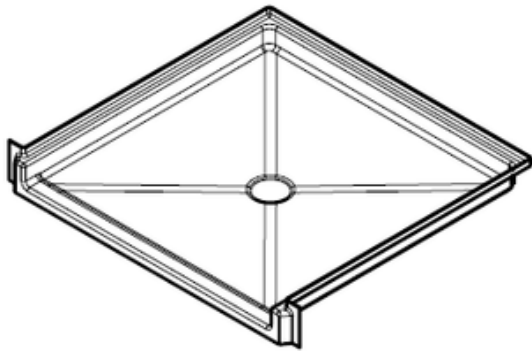
INDIVIDUAL ACCESSORIES AVAILABLE:

- Reversible, L-shaped folding shower seat
- Grab bars
- Soap dish, stainless
- Collapsible water retainer with end cap
- Weighted shower curtain and rod
- Drain and stainless steel strainer
- Adjustable handheld shower kit with bar and ADA pressure-balanced shower valve

ADA compliant with correct ADAAG accessory installation

Freedom ADA Transfer Shower Pan 38" x 37" Center Drain

MODEL: APC3837BFPANRRF



NOTES:

Dimensional Tolerance $\pm 1/2"$.
Accessibility Professionals Inc. assumes no responsibility for prep work

CODE COMPLIANCE:

- ADA
- California Title 24 (Chapter 11B)
- ICC A117.1 - 2017 ANSI Type A
- CSA B45.5-11 / IAPMO Z124-2017
- UPC Uniform Plumbing Code

FRAME-IN DIMENSIONS:

A	38 5/8"
B	36 1/8"
C	19 5/16"
D	19 1/8"

