

# Freedom Accessible Shower Inspire Series 60" x 32" Left or Right Drain

MODEL: APX6032BFKT LR



Right Drain Shown



Made in USA



30-Year Warranty

#### EXTERIOR DIMENSIONS:

60" x 33" x 78"

#### INTERIOR DIMENSIONS:

57" x 26 5/8"

#### FEATURES:

- 5-piece shower for remodeling
- 7/8" barrier free threshold
- Pre-levelled shower base
- Full wood backing for installation of weight bearing accessories
- Fiberglass construction
- Applied acrylic finish with subway tile design
- Textured slip-resistant floor
- Left or right drain location, ideal for bathtub replacement
- Interlock base and wall design
- Drain included, square chrome plate, no caulk
- Large shelf niche with opening for slide bar
- Accepts conventional shower doors

#### ACCESSORY PACKAGES AVAILABLE:

Residential Safety Package includes:

- Fold-up wall-mounted shower bench
- 3 x Grab bars

Water Retention Package includes:

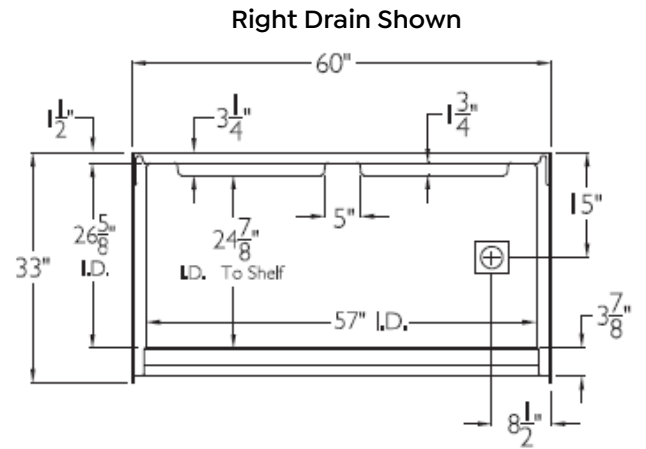
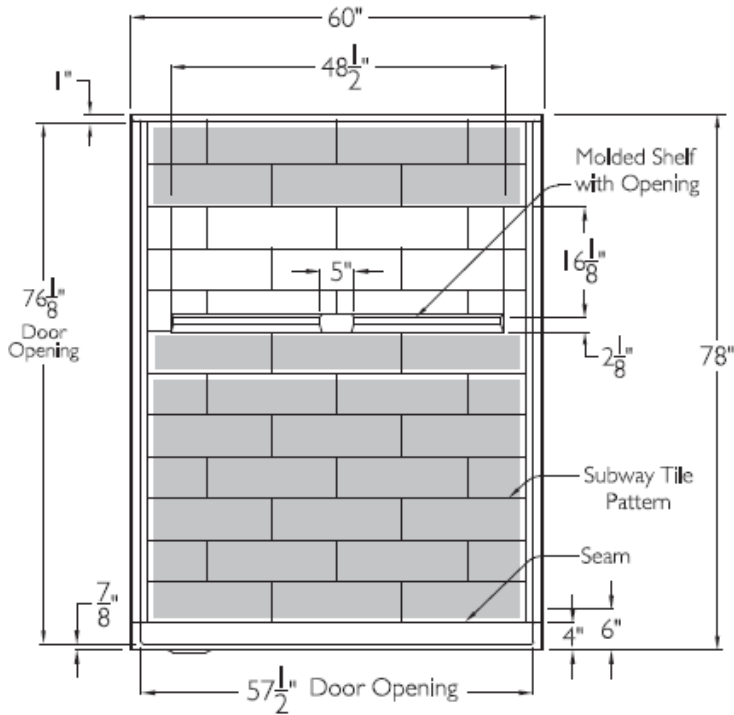
- Collapsible water retainer with end caps
- Weighted shower curtain and rod

#### INDIVIDUAL ACCESSORIES AVAILABLE:

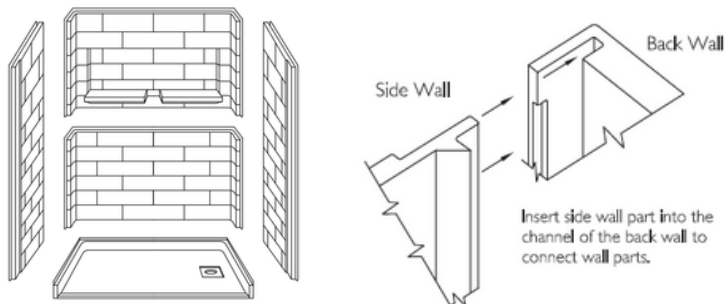
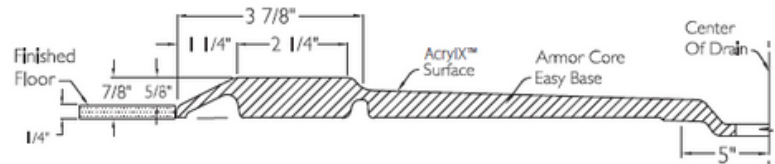
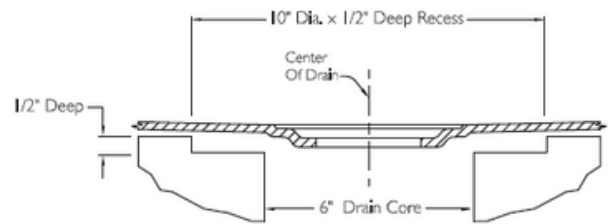
- Fold-up shower bench (various styles)
- Grab bars (various styles and sizes)
- Adjustable handheld shower kit with bar
- ADA pressure-balanced shower valve
- Collapsible water retainer with end caps
- Weighted shower curtain and rod

# Freedom Accessible Shower Inspire Series 60" x 32"

MODEL: APX6032BFKT LR



COMES WITH NO CAULK DRAIN and Square Strainer Plate  
Cutaway Drain Detail



Right Drain Shown

## NOTES:

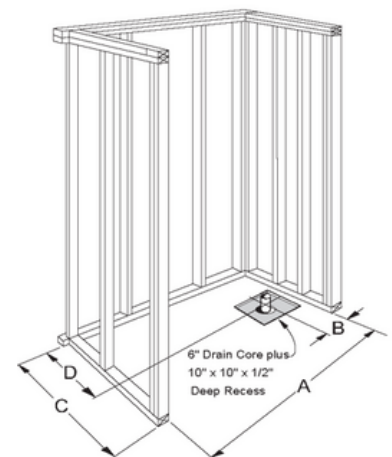
Dimensional Tolerance  $\pm 1/2"$ .  
Accessibility Professionals Inc.  
assumes no responsibility for prep work

## CODE COMPLIANCE:

- IPC International Plumbing Code
- UPC Uniform Plumbing Code
- ANSI Z124.2 Standards for Plastic Showers
- CSA Canadian Standards Association
- NFPA 101.24.2.8

## FRAME-IN DIMENSIONS:

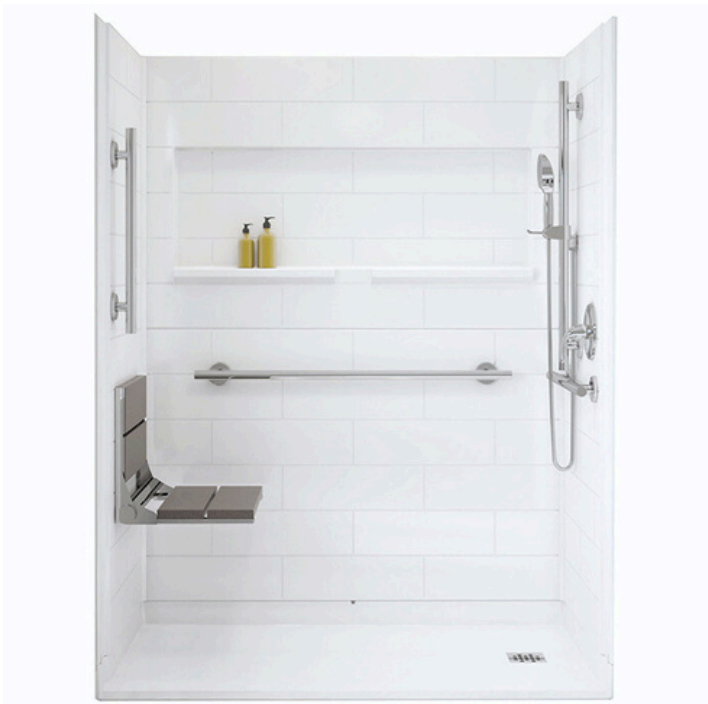
|   |         |
|---|---------|
| A | 60 1/4" |
| B | 8 9/16" |
| C | 33"     |
| D | 15"     |



Right Drain Shown

# Freedom Accessible Shower Inspire Series 60" x 32"

MODEL: APX6032BFKT LR  
SHOWN WITH OPTIONAL ACCESSORIES



## OPTIONAL ACCESSORY PACKAGES

### RESIDENTIAL SAFETY PACKAGES AVAILABLE:

#### Option 1 (SHOWN UPPER IMAGE)

- Padded white folding shower seat with legs
- 3 x Satin stainless grab bars (2 x 18" , 1 x 36")

#### Option 2

- Slatted white folding shower seat with legs
- 3 x Satin stainless grab bars (2 x 18" , 1 x 36")

#### Option 3

- Padded white folding shower seat with legs
- 3 x Polished steel grab bars (2 x 18" , 1 x 36")

#### Option 4

- Slatted white folding shower seat with legs
- 3 x Polished steel grab bars (2 x 18" , 1 x 36")

#### Option 5 (SHOWN LOWER IMAGE)

- Driftwood Gray HDPE folding shower seat with polished frame
- 2 x 24" Polished linear grab bars
- 1 x 36" Polished linear grab bars

### PLUMBING FIXTURE PACKAGES:

#### Option 1 (SHOWN UPPER IMAGE)

- Adjustable handheld shower kit with satin stainless bar and adjustable bracket
- ADA pressure-balanced shower valve

#### Option 2 (SHOWN LOWER IMAGE)

- Adjustable handheld shower kit with polished linear bar and adjustable bracket
- ADA pressure-balanced shower valve