

Freedom ADA Roll-in Shower 62" x 32" Left or Right Drain

MODEL: APF6232BF5P LR



Left Drain Shown



Made in USA



30-Year Warranty

ADA compliant with correct ADAAG accessory installation

EXTERIOR DIMENSIONS:

62 7/16" x 32 1/4" x 79"

INSIDE DIMENSIONS:

60 1/16" x 30"

FEATURES:

- 5-piece shower for remodeling
- 1" barrier free threshold with pre-leveled and reinforced shower base for easy installation
- Handed by drain side, left or right available
- 1 Molded soap/foot ledge
- Fiberglass construction
- Durable, easy-to-clean applied acrylic with subway tile pattern
- Fully reinforced backing in walls offers strength and easy installation of accessories

ACCESSORY PACKAGES AVAILABLE:

ADA PACKAGE includes:

- Grab bars x 3
- Reversible L-shaped folding shower seat
- Surface mount soap dish

WATER RETENTION PACKAGE includes:

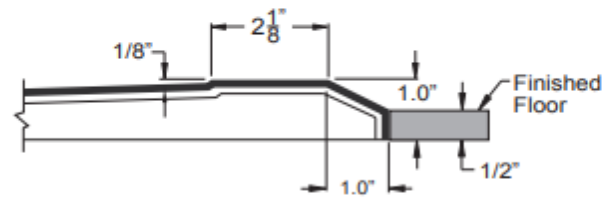
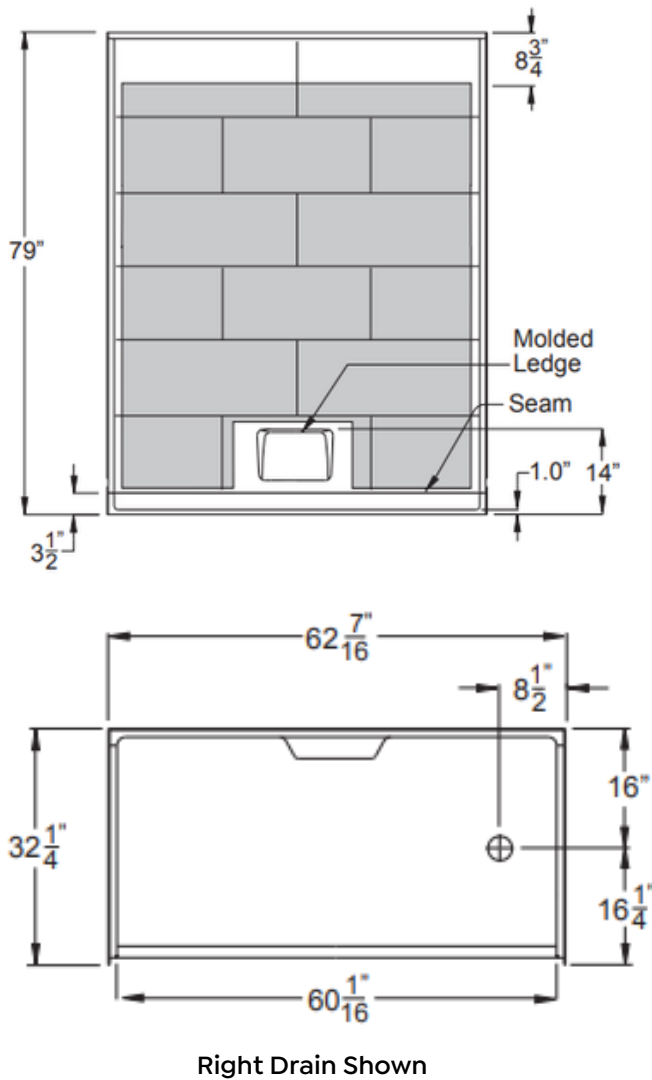
- Collapsible water retainer with end caps
- Weighted shower curtain and rod

INDIVIDUAL ACCESSORIES AVAILABLE:

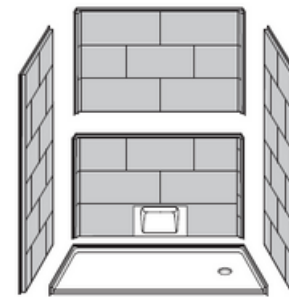
- Grab bars
- Reversible L-shaped folding shower seat
- Adjustable handheld shower kit with bar
- ADA pressure-balanced shower valve
- Collapsible water retainer with end caps
- Weighted shower curtain and rod
- Drain and chrome strainer
- Flange trim kit
- Soap dish

Freedom ADA Roll-in Shower 62" x 32" Left or Right Drain

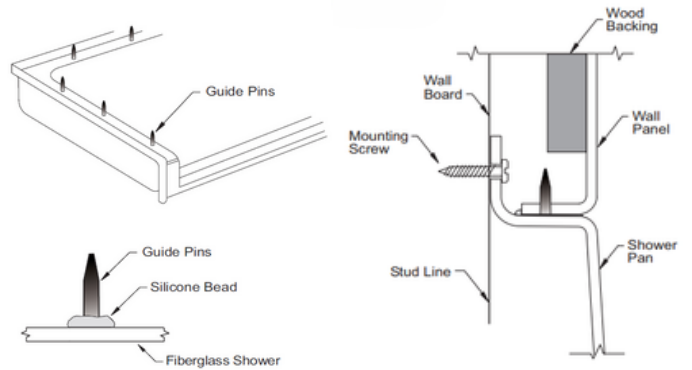
MODEL: MODEL: APF6232BF5P LR



THRESHOLD VIEW



Right Drain Shown



NOTES:

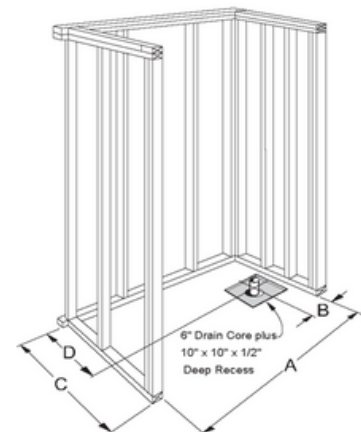
Dimensional Tolerance $\pm 1/2"$.
Accessibility Professionals Inc.
assumes no responsibility for prep work

CODE COMPLIANCE:

- ADA Accessibility Guidelines for Buildings and Facilities
- MAS, TAS
- NAHB, HUD, FHA
- IPC International Plumbing Code
- UPC Uniform Plumbing Code
- ANSI Z124.2 Standards for Plastic Showers
- CSA Canadian Standards Association

FRAME-IN DIMENSIONS:

A	62 11/16"
B	8 9/16"
C	32 1/4"
D	16 "



Right Drain Shown