

Freedom ANSI B Shower Pan 60" x 38"

MODEL: APF6038SHPANRRF



Made in USA



30-Year Warranty

EXTERIOR DIMENSIONS:

60" x 38" x 4 3/4"

FEATURES:

- 1-piece shower pan
- 4" easy step threshold
- Center drain location
- Self-supporting and pre-leveled shower base eliminates mud setting
- Fiberglass construction
- Durable, easy-to-clean applied acrylic
- Textured Floor

ACCESSORY PACKAGE AVAILABLE:

Residential Safety Package includes:

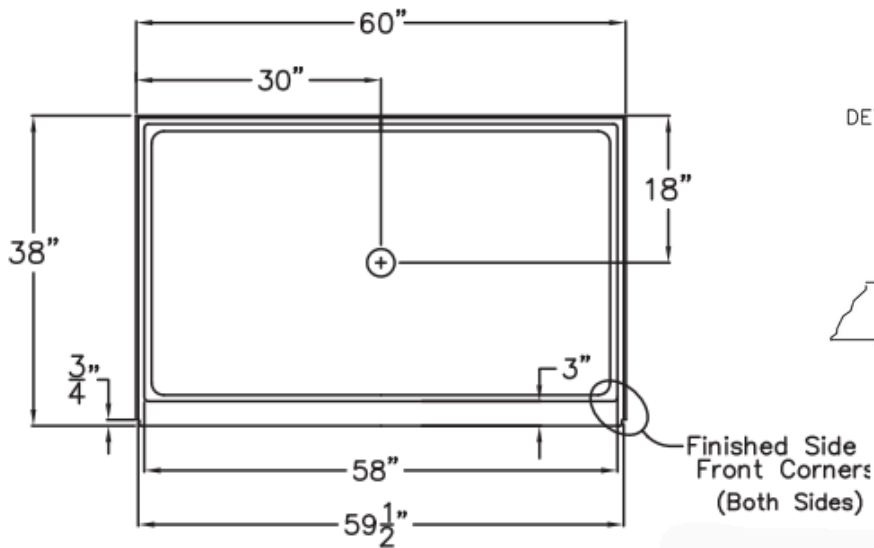
- Grab bars x 3
- Wall-mounted, folding shower seat in various styles

INDIVIDUAL ACCESSORIES AVAILABLE:

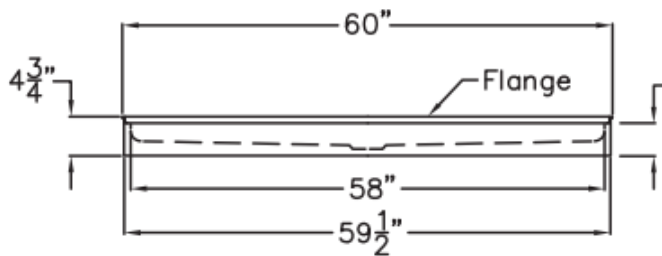
- Fold-up shower bench (various styles)
- Grab bars (various styles and sizes)
- Adjustable handheld shower kit with bar
- ADA pressure-balanced shower valve
- Weighted shower curtain and rod
- Drain and chrome strainer
- Flange trim kit

Freedom ANSI B Shower Pan 60" x 38"

MODEL: APF6038SHPANRRF

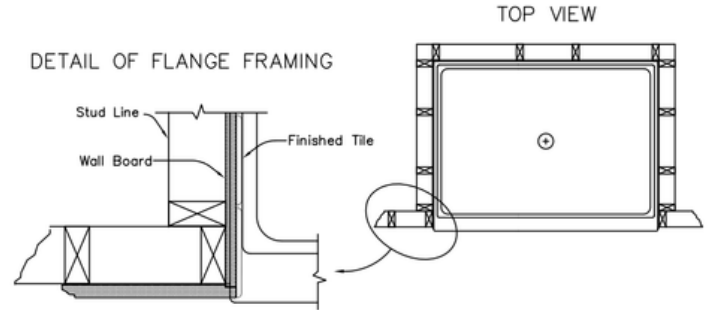


FRONT VIEW

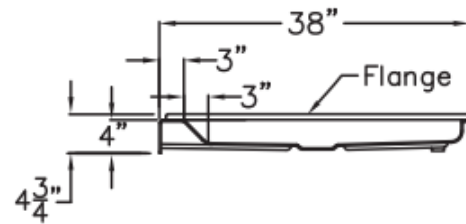


FRAMING DETAILS

APF 6038 ANSI Type B - FHA Spec B Pan.



SIDE VIEW



NOTES:

Dimensional Tolerance $\pm 1/2"$.
Accessibility Professionals Inc. assumes
no responsibility for prep work

CODE COMPLIANCE:

- ANSI Z124.2 Standards for Plastic Showers
- ICC/ANSI117.1 BOCA, NAHBUPC
- SOUTHERN BUILDING CODE
- IPC International Plumbing Code
- UPC Uniform Plumbing Code

FRAME-IN DIMENSIONS:

A	60 1/4"
B	30 1/8"
C	38"
D	18"

