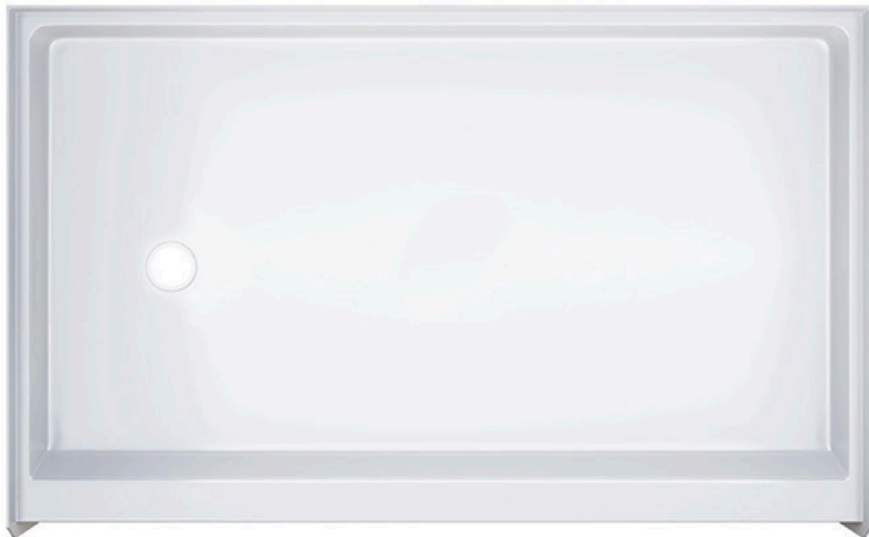


# Freedom Easy Step Shower Pan 60" x 33" Left or Right Drain

MODEL: APF6033SHPAN LR



Left Drain Option Shown



Made in USA



30-Year Warranty

## EXTERIOR DIMENSIONS:

60" x 33 3/8" x 6"

## FEATURES:

- 4" Easy-step threshold
- Pre-leveled and reinforced shower base for easy installation
- Handed by the drain. Left or Right available
- Fiberglass construction
- Durable, easy-to-clean applied acrylic
- Textured Floor

## ACCESSORY PACKAGE AVAILABLE:

Residential Safety Package includes:

- Grab bars x 3
- Wall-mounted, folding shower seat

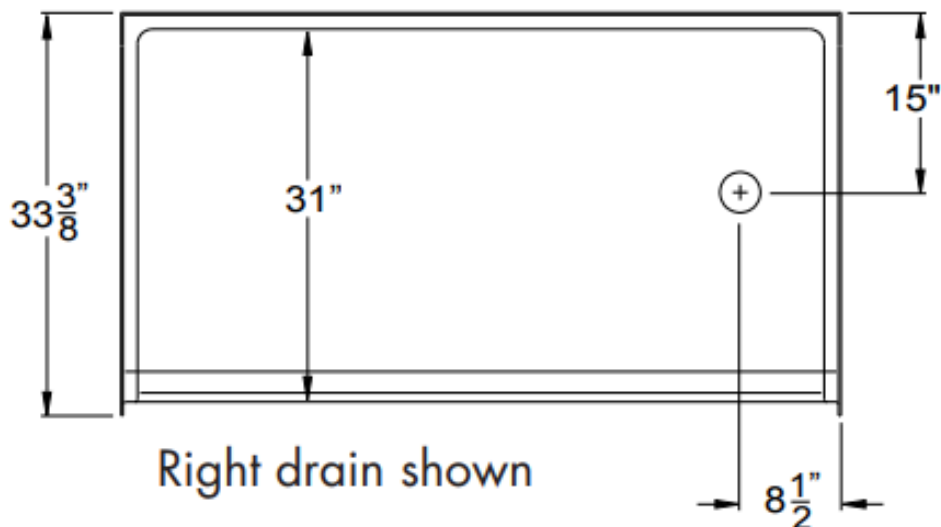
## INDIVIDUAL ACCESSORIES AVAILABLE:

- Fold-up shower bench (various styles)
- Grab bars (various styles and sizes)
- Adjustable handheld shower kit with bar
- ADA pressure-balanced shower valve
- Weighted shower curtain and rod
- Drain and chrome strainer
- Flange trim kit

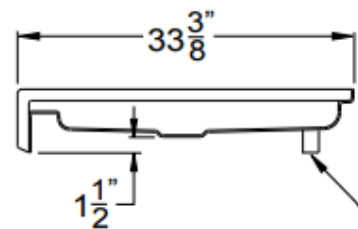
# Freedom Easy Step Shower Pan 60" x 33" Left or Right Drain

MODEL: APF6033SHPAN LR

TOP VIEW

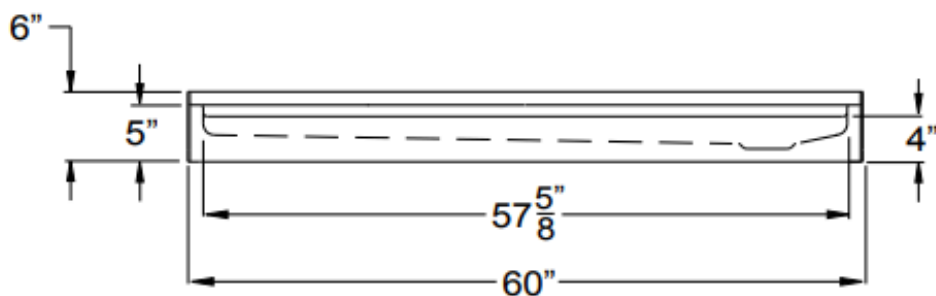


SIDE VIEW

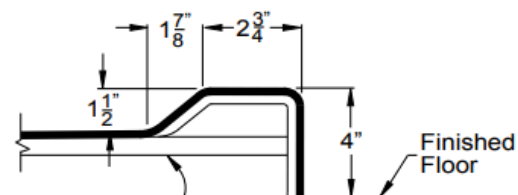


Wood Base With Leveling Leg.

Wood Bottom With Leveling Leg will have the base level as it sits on the floor.



FRONT VIEW



Wood Base With Leveling Leg.

THRESHOLD VIEW

Wood Bottom With Leveling Leg will have the base level as it sits on the floor.

**NOTES:**

Dimensional Tolerance  $\pm 1/2"$ .  
Accessibility Professionals Inc. assumes  
no responsibility for prep work

**CODE COMPLIANCE:**

- IPC International Plumbing Code
- UPC Uniform Plumbing Code
- ANSI Z124.2 Standards for Plastic Showers
- CSA Canadian Standards Association

**FRAME-IN DIMENSIONS:**

A	60 1/4"
B	8 5/8"
C	33 3/8"
D	15"

