

Freedom ANSI B Shower Pan 50" x 38"

MODEL: APF5038SHPANRRF



Made in USA



30-Year Warranty

EXTERIOR DIMENSIONS:

50" x 38" x 4 3/4"

FEATURES:

- 1-piece shower pan
- 4" easy step threshold
- Pre-leveled and reinforced shower base for easy installation
- Center drain location
- Fiberglass construction
- Durable, easy-to-clean applied acrylic
- Textured Floor

ACCESSORY PACKAGE AVAILABLE:

Residential Safety Package includes:

- Grab bars x 3
- Wall-mounted, folding shower seat in various styles

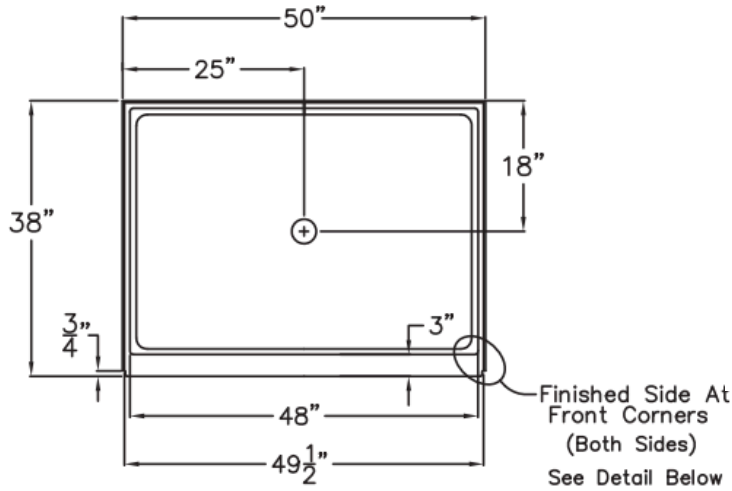
INDIVIDUAL ACCESSORIES AVAILABLE:

- Fold-up shower bench (various styles)
- Grab bars (various styles and sizes)
- Adjustable handheld shower kit with bar
- ADA pressure-balanced shower valve
- Weighted shower curtain and rod
- Drain and chrome strainer
- Flange trim kit

Freedom ANSI B Shower Pan 50" x 38"

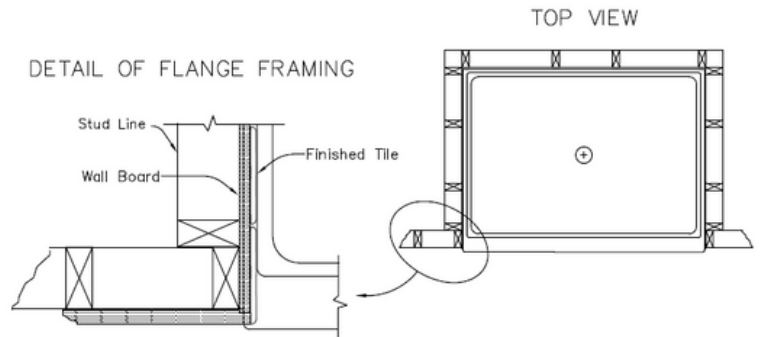
MODEL: APF5038SHPANRRF

TOP VIEW

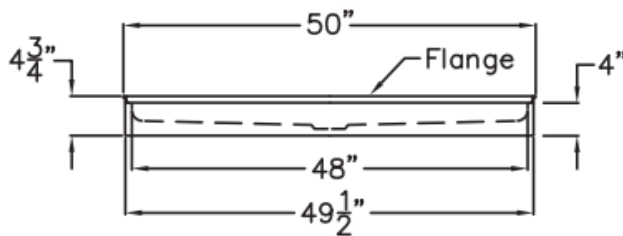


FRAMING DETAILS

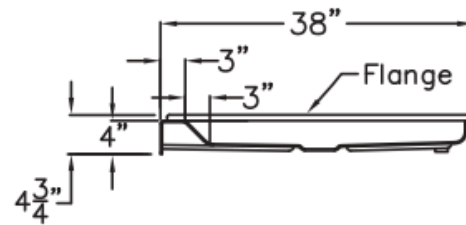
APF 5038 ANSI Type B - FHA Spec B Pan.



FRONT VIEW



SIDE VIEW



NOTES:

Dimensional Tolerance $\pm 1/2"$.
Accessibility Professionals Inc. assumes
no responsibility for prep work

CODE COMPLIANCE:

- ANSI Z124.2 Standards for Plastic Showers
- ICC/ANSI117.1 BOCA, NAHBUPC
- SOUTHERN BUILDING CODE
- IPC International Plumbing Code
- UPC Uniform Plumbing Code

FRAME-IN DIMENSIONS:

A	50 1/4"
B	25 1/8"
C	38"
D	18"

