

Freedom Easy Step Shower Pan 60" x 37 1/2"

MODEL: APF6036SHPANC



Made in USA



30-Year Warranty

EXTERIOR DIMENSIONS:

60" x 37 1/4" x 6 1/4"

FEATURES:

- 5" easy step threshold
- Pre-leveled and reinforced shower base for easy installation
- Center drain location
- Fiberglass construction
- Durable, easy-to-clean applied acrylic
- Textured Floor

ACCESSORY PACKAGE AVAILABLE:

Residential Safety Package includes:

- Grab bars x 3
- Wall-mounted, folding shower seat

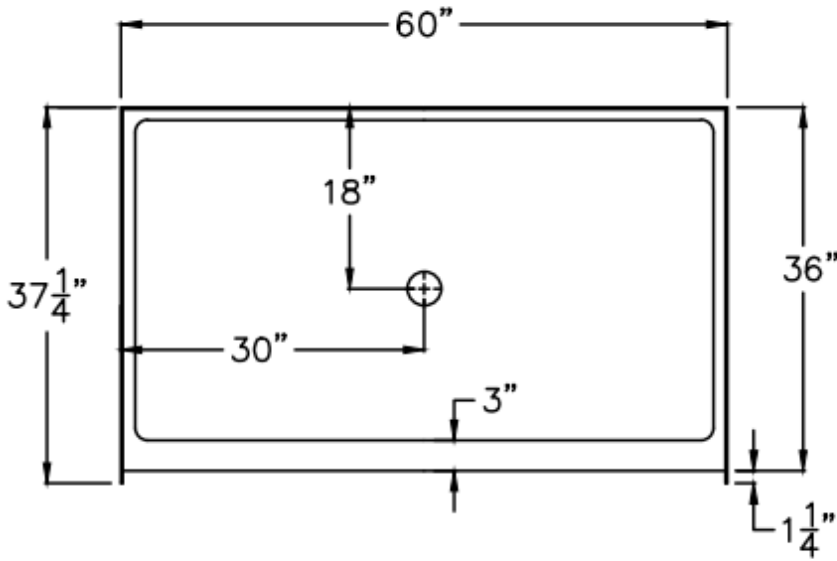
INDIVIDUAL ACCESSORIES AVAILABLE:

- Fold-up shower bench (various styles)
- Grab bars (various styles and sizes)
- Adjustable handheld shower kit with bar
- ADA pressure-balanced shower valve
- Weighted shower curtain and rod
- Drain and chrome strainer
- Flange trim kit

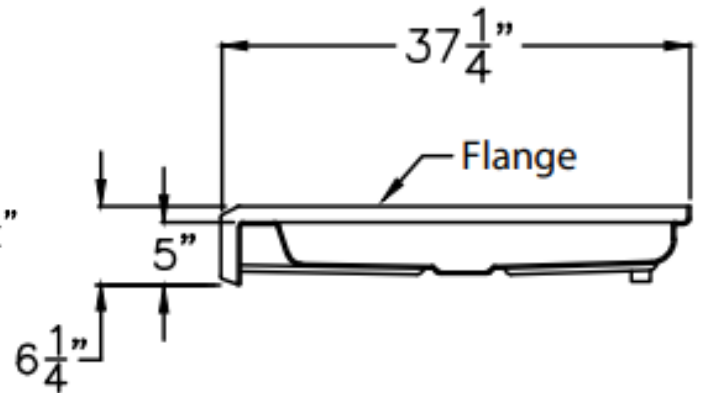
Freedom Easy Step Shower Pan 60" x 37 1/2"

MODEL: APF6036SHPANC

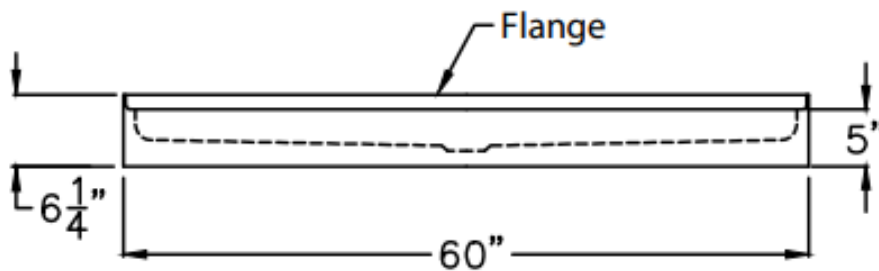
TOP VIEW



SIDE VIEW



FRONT VIEW



NOTES:

Dimensional Tolerance $\pm 1/2"$.
Accessibility Professionals Inc. assumes
no responsibility for prep work

CODE COMPLIANCE:

- IPC International Plumbing Code
- UPC Uniform Plumbing Code
- ANSI Z124.2 Standards for Plastic Showers
- CSA Canadian Standards Association

FRAME-IN DIMENSIONS:

A	60 1/4"
B	30 1/8"
C	37 1/4"
D	18"

