

Freedom Easy Step Shower 60" x 36" Left or Right Seat

MODEL: APT6036SH4 LR



Left seat option shown



Made in USA



30-Year Warranty

EXTERIOR DIMENSIONS:

60" L x 36" W x 77" H

FEATURES:

- 1-piece for new construction
- 4" Easy Step threshold
- 1 Molded soap ledge, a foot ledge
- 18" x 25" generous molded seat, 300lb weight capacity
- Handed by seat side, Left or Right available
- Fiberglass construction
- Durable, easy-to-clean applied acrylic finish with 6" tile pattern and diamond accents
- Strategically placed reinforced backing for installation for accessories

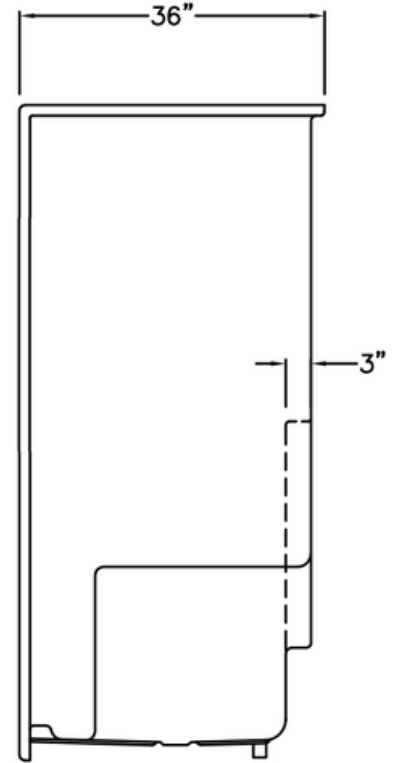
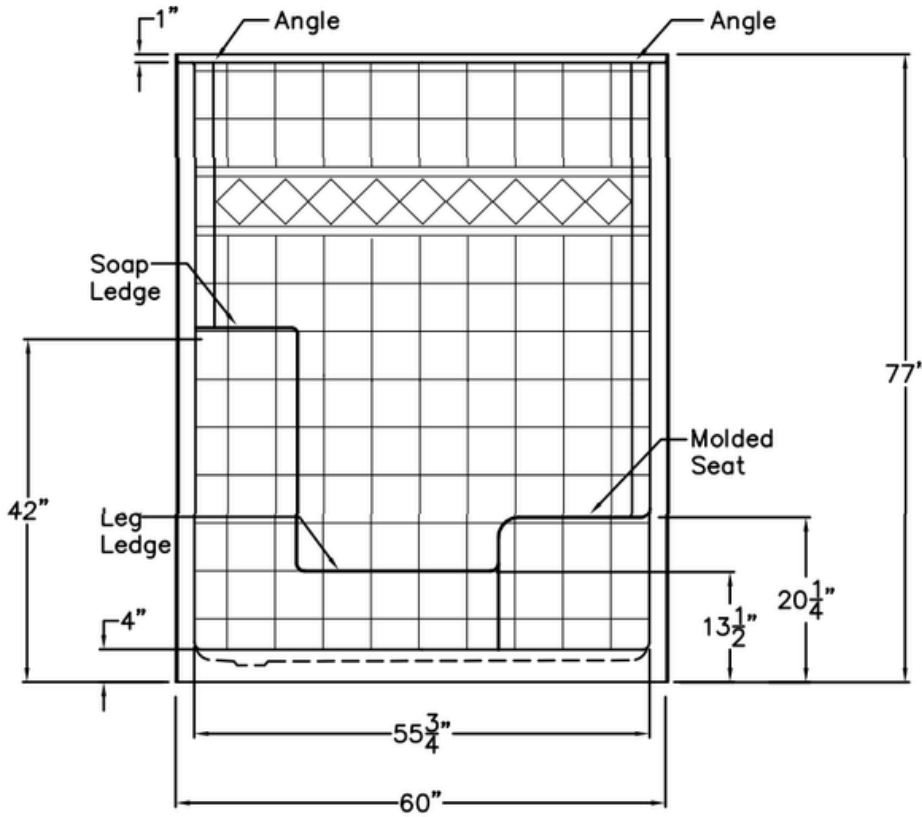
ACCESSORIES AVAILABLE:

- Grab bars
- Adjustable handheld shower kit with bar
- ADA pressure-balanced shower valve
- Weighted shower curtain and rod
- Drain and chrome strainer
- Flange trim kit
- Full reinforced backing

Freedom Easy Step Shower 60" x 36" Left or Right Seat

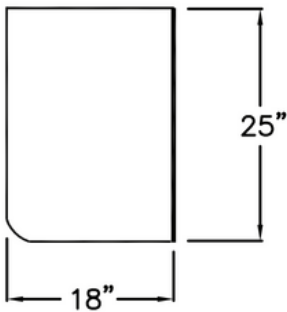
MODEL: APT6036SH4 LR

FRONT VIEW

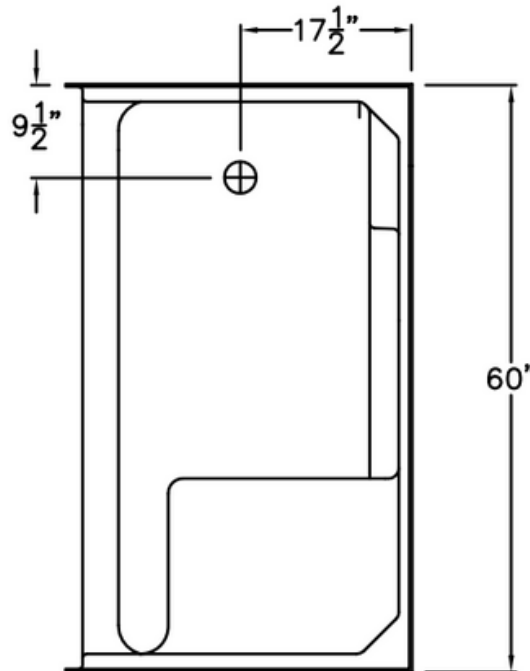


SIDE VIEW

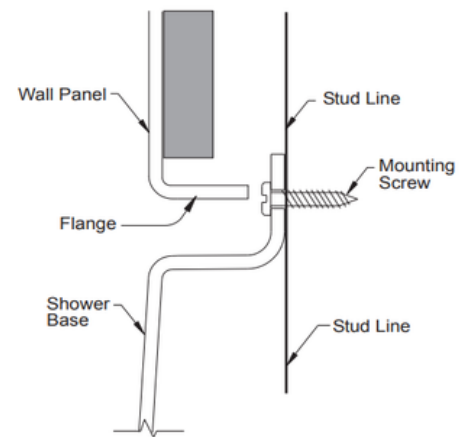
Weight capacity of the molded seat is 300 lbs.



SEAT DIMENSIONS



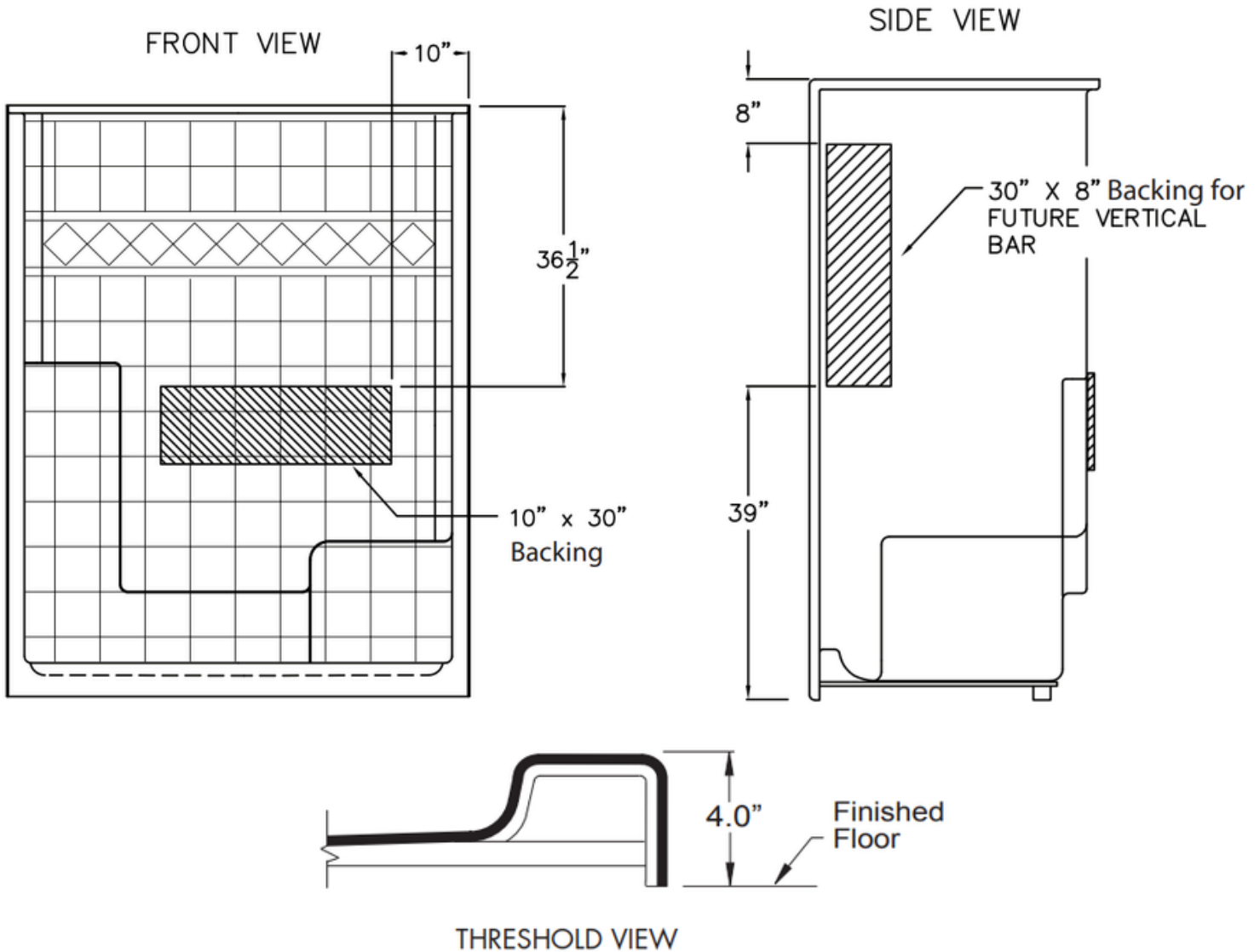
TOP VIEW



Freedom Easy Step Shower 60" x 36" Left or Right Seat

MODEL: APT6036SH4 LR

Board Placement



NOTES:

Dimensional Tolerance $\pm 1/2"$.
Accessibility Professionals Inc. assumes
no responsibility for prep work

CODE COMPLIANCE:

- IPC International Plumbing Code
- UPC Uniform Plumbing Code
- ANSI Z124.2 Standards for Plastic Showers
- CSA Canadian Standards Association

FRAME-IN DIMENSIONS:

A	60 1/4"
B	9 5/8"
C	36"
D	17 1/2"

