

Freedom Easy Step Shower 60" x 33" Left or Right Seat

MODEL: APF6032SHIP LR



Left seat option shown



Made in USA



30-Year Warranty

EXTERIOR DIMENSIONS:

60" L x 33" W x 77" H

FEATURES:

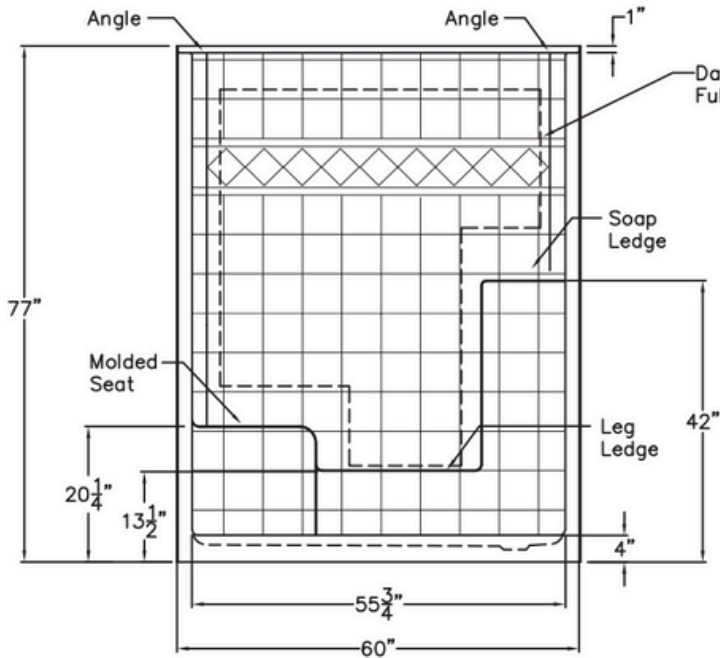
- 1-piece for new construction
- 4" Easy Step threshold
- 1 Molded soap ledge, a foot ledge and generous seat
- Left or Right seat available
- Fiberglass construction
- Durable, easy-to-clean applied acrylic finish with 6" tile pattern and diamond accents
- Fully reinforced walls that offers strength and ease of installation for accessories

ACCESSORIES AVAILABLE:

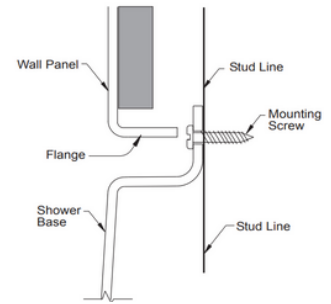
- Grab bars
- Adjustable handheld shower kit with bar
- ADA pressure-balanced shower valve
- Weighted shower curtain and rod
- Drain and chrome strainer
- Flange trim kit

Freedom Easy Step Shower 60" x 33" Left or Right Seat

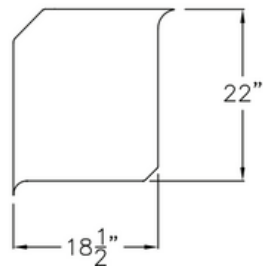
MODEL: APF6032SHIP LR



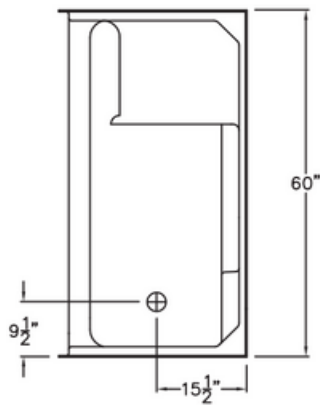
FRONT VIEW



THRESHOLD VIEW

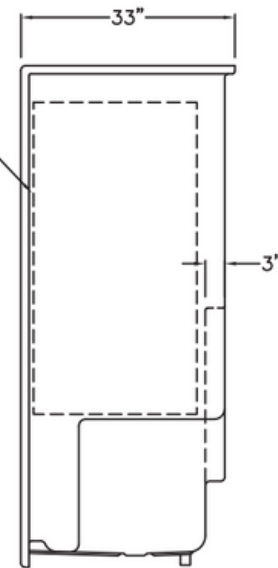


SEAT DIMENSIONS



TOP VIEW

Dashed Lines Indicate Full Reinforced Backing



SIDE VIEW

NOTES:

Dimensional Tolerance $\pm 1/2"$.
Accessibility Professionals Inc. assumes
no responsibility for prep work

CODE COMPLIANCE:

- IPC International Plumbing Code
- UPC Uniform Plumbing Code
- ANSI Z124.2 Standards for Plastic Showers
- CSA Canadian Standards Association

FRAME-IN DIMENSIONS:

A	60 1/4"
B	9 1/2"
C	33"
D	15 3/4"

