

# Freedom ANSI B Shower 50 5/8" x 38 1/2"

MODEL: APF5038SH4



Made in USA



30-Year Warranty

#### EXTERIOR DIMENSIONS:

50 5/8" x 38 1/2" x 79"

#### INSIDE DIMENSIONS:

48" x 36"

#### FEATURES:

- 1-piece for new construction
- 4" Easy Step threshold
- Center drain location
- Complies with Fair Housing Act requirements
- 2 molded soap ledges
- Fiberglass construction
- Durable, easy-to-clean applied acrylic finish with subway tile pattern
- Textured slip resistant floor
- Dual recessed Receiver Flanges
- Fully reinforced walls that offers strength and ease of installation for accessories

#### ACCESSORY PACKAGE AVAILABLE:

Residential Safety package includes:

- Fold-up shower bench (various styles)
- 3 x Grab bars

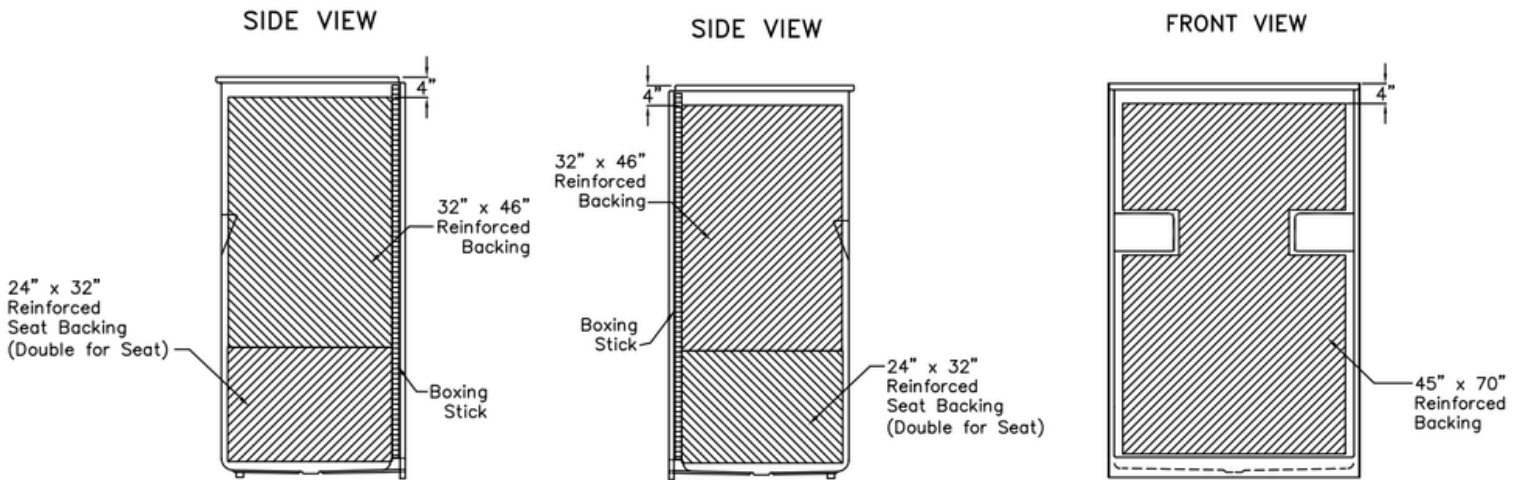
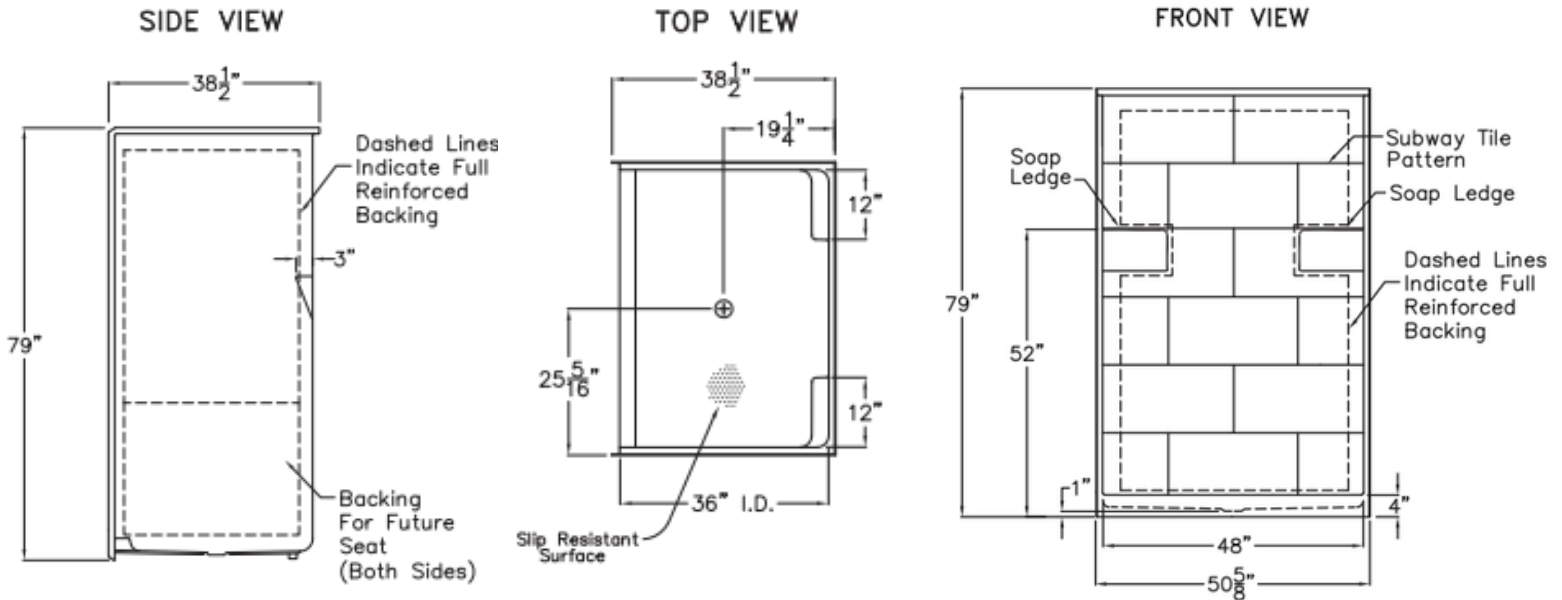
#### INDIVIDUAL ACCESSORIES AVAILABLE:

- Fold-up shower bench (various styles)
- Grab bars (various styles and sizes)
- Adjustable handheld shower kit with bar
- ADA pressure-balanced shower valve
- Weighted shower curtain and rod
- Drain and chrome strainer

# Freedom ANSI B Shower

## 50 5/8" x 38 1/2"

MODEL: APF5038SH4



### NOTES:

Dimensional Tolerance  $\pm 1/2"$ .  
 Accessibility Professionals Inc. assumes no responsibility for prep work

### CODE COMPLIANCE:

- ANSI I24.1-2
- ANSI B Type 2
- IPC International Plumbing Code
- UPC Uniform Plumbing Code
- CSA Canadian Standards Association
- HUD, FDA
- BOCA, NAHB, SOUTHERN BUILDING CODE

### FRAME-IN DIMENSIONS:

A	50 7/8"
B	25 1/2"
C	38 1/2"
D	19 1/4"

