

Freedom Easy Step Shower 60" x 33" Left or Right drain

MODEL: APF6033SH5P LR



Left Drain Option Shown



Made in USA



30-Year Warranty

EXTERIOR DIMENSIONS:

60" L x 33 3/8" W x 79 1/2" H

FEATURES:

- 5-piece for remodeling
- 4" Easy Step threshold with wood base and leveling leg for easy installation
- 1 Molded soap ledge
- Left or right drain for bathtub replacement
- Fiberglass construction
- Durable, easy-to-clean applied acrylic with 8" tile pattern
- Fully reinforced walls that offers strength and ease of installation for accessories

ACCESSORY PACKAGE AVAILABLE:

Residential Safety package includes:

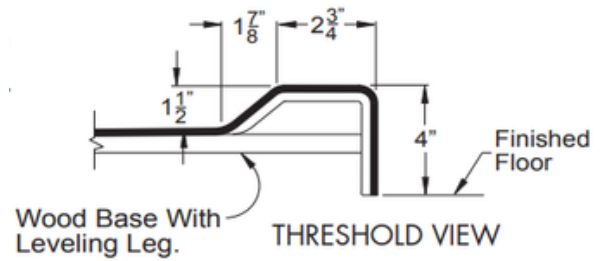
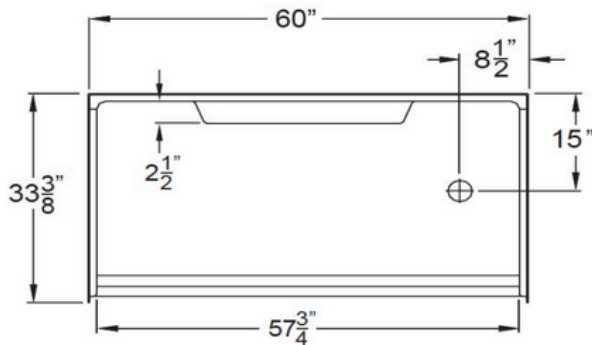
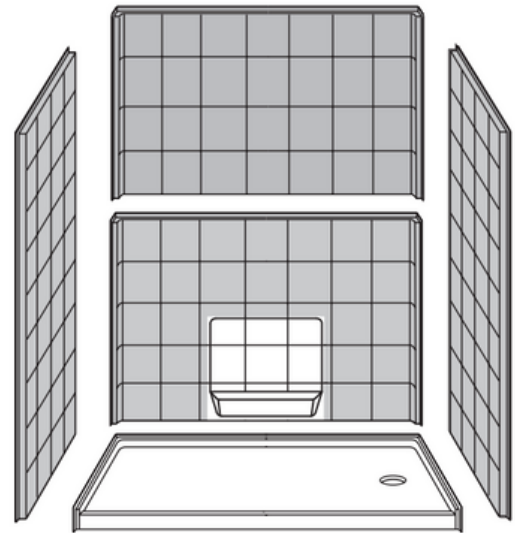
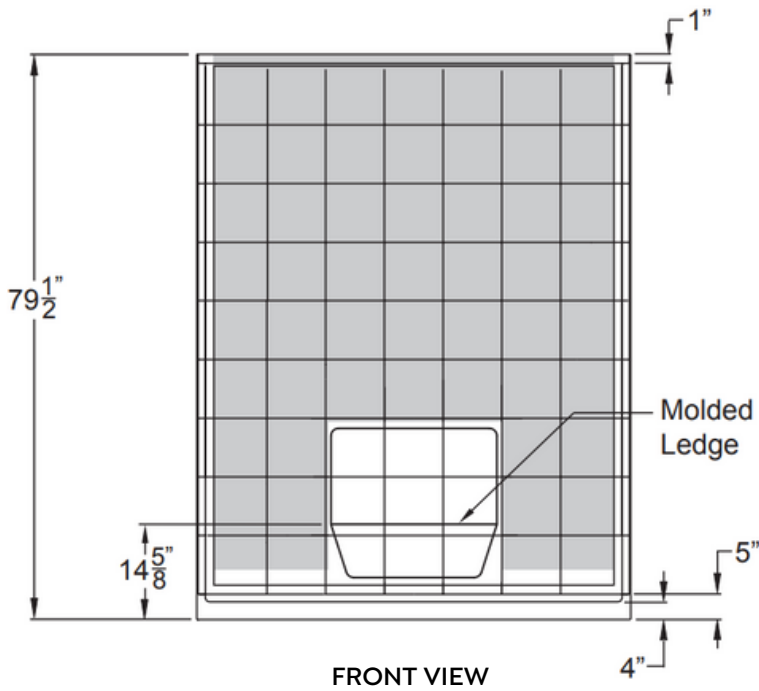
- Fold-up shower bench (various styles)
- Grab bars (various styles)

INDIVIDUAL ACCESSORIES AVAILABLE:

- Fold-up shower bench (various styles)
- Grab bars (various styles and sizes)
- Adjustable handheld shower kit with bar
- ADA pressure-balanced shower valve
- Weighted shower curtain and rod
- Drain and chrome strainer

Freedom Easy Step Shower 60" x 33" Left or Right drain

MODEL: APF6033SH5P LR



NOTES:

Dimensional Tolerance $\pm 1/2"$.
Accessibility Professionals Inc. assumes
no responsibility for prep work

CODE COMPLIANCE:

- IPC International Plumbing Code
- UPC Uniform Plumbing Code
- ANSI Z124.2 Standards for Plastic Showers
- CSA Canadian Standards Association

FRAME-IN DIMENSIONS:

| | |
|---|---------|
| A | 60 1/4" |
| B | 8 5/8" |
| C | 33 3/8" |
| D | 15" |

