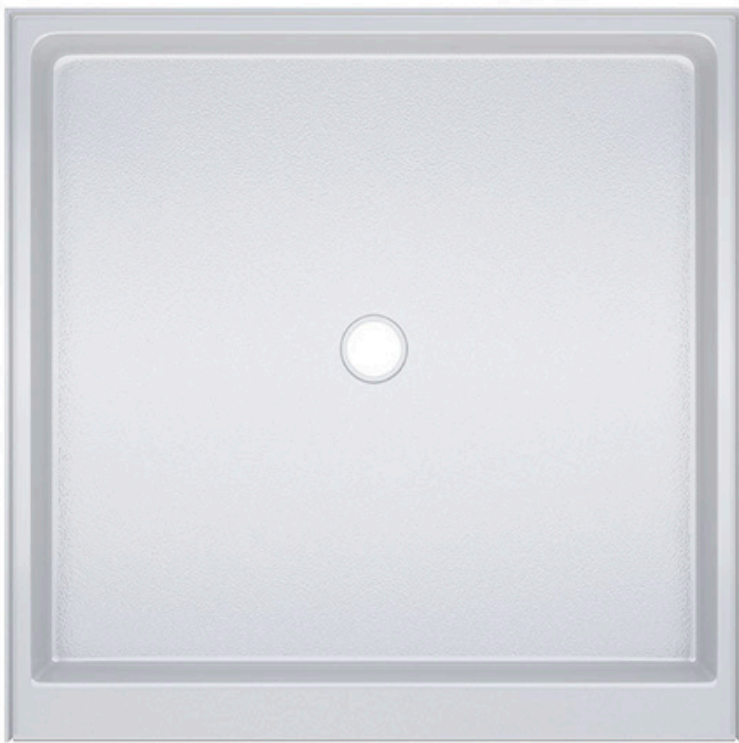


Freedom ANSI B Shower Pan 38" x 38"

MODEL: APF3838SHPANRRF



Made in USA



30-Year Warranty

EXTERIOR DIMENSIONS:

38" x 38" x 4 3/4"

INSIDE DIMENSIONS:

36" x 36"

FEATURES:

- 1-piece shower pan
- 4" easy step threshold
- Pre-leveled and reinforced shower base for easy installation
- Center drain location
- Fiberglass construction
- Durable, easy-to-clean applied acrylic
- Textured Floor

ACCESSORY PACKAGE AVAILABLE INCLUDES:

- 2 x Grab bars, inside corner and straight
- Wall-mounted, L-shaped folding shower seat
- Soap dish, surface mount, stainless

INDIVIDUAL ACCESSORIES AVAILABLE:

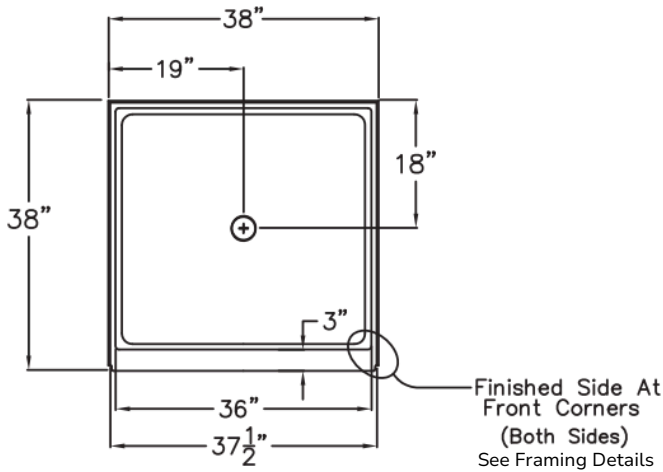
- Fold-up L-shaped shower seat
- Grab bars (inside corner and straight)
- Adjustable handheld shower kit with bar
- ADA pressure-balanced shower valve
- Weighted shower curtain and rod
- Drain and chrome strainer
- Flange trim kit
- Soap dish

Freedom ANSI B Shower Pan

38" x 38"

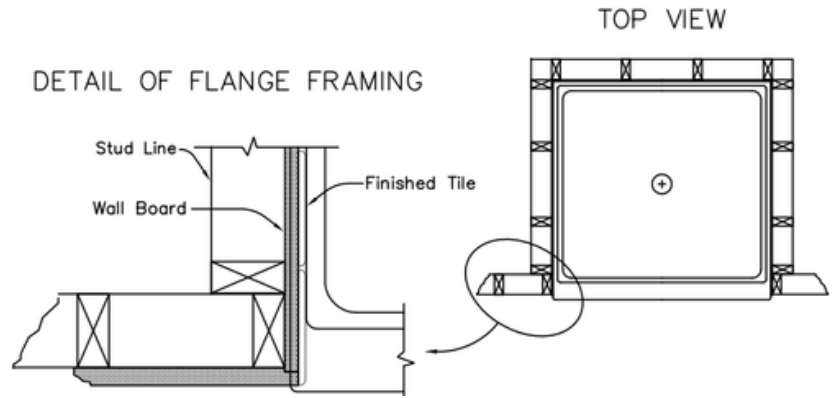
MODEL: APF3838SHPANRRF

TOP VIEW

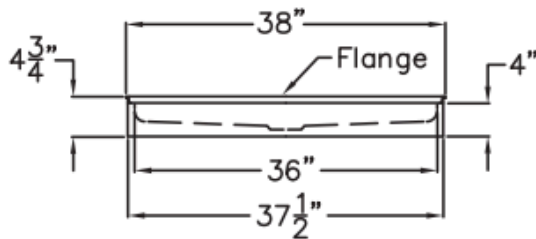


FRAMING DETAILS

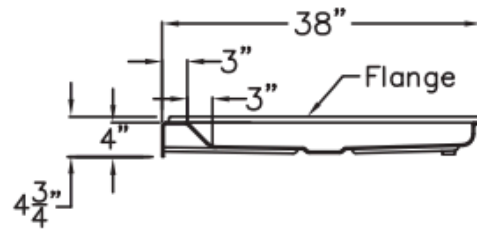
APF 3838 ANSI Type B – FHA Spec B Pan.



FRONT VIEW



SIDE VIEW



NOTES:

Dimensional Tolerance $\pm 1/2"$.
Accessibility Professionals Inc. assumes no responsibility for prep work

CODE COMPLIANCE:

- ANSI Z124.2 Standards for Plastic Showers
- ICC/ANSI117.1 BOCA, NAHBUPC
- SOUTHERN BUILDING CODE
- IPC International Plumbing Code
- UPC Uniform Plumbing Code

FRAME-IN DIMENSIONS:

A	38 1/4"
B	19 1/8"
C	38"
D	18"

