

Freedom ADA Roll-in Shower Pan 62" x 32" Left or Right Drain

MODEL: APF6232BFPAN LR



Left Drain Shown



Made in USA



30-Year Warranty

EXTERIOR DIMENSIONS:

62 7/16" x 32 1/4" x 4 1/2"

INSIDE DIMENSIONS:

60 1/16" W x 30" D

FEATURES:

- 1" barrier free threshold
- Pre-leveled and reinforced shower base for easy installation
- Handed by drain, left or right available
- Fiberglass construction
- Durable, easy-to-clean applied acrylic
- Textured Floor

ACCESSORY PACKAGES AVAILABLE:

ADA Accessory Package includes:

- Reversible, L-shaped folding shower seat
- Grab bars x 3
- Soap dish, stainless

Water Retention Package includes:

- Collapsible water retainer with end caps
- Weighted shower curtain
- Curtain rod

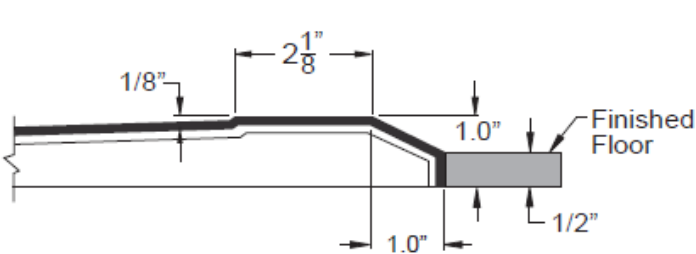
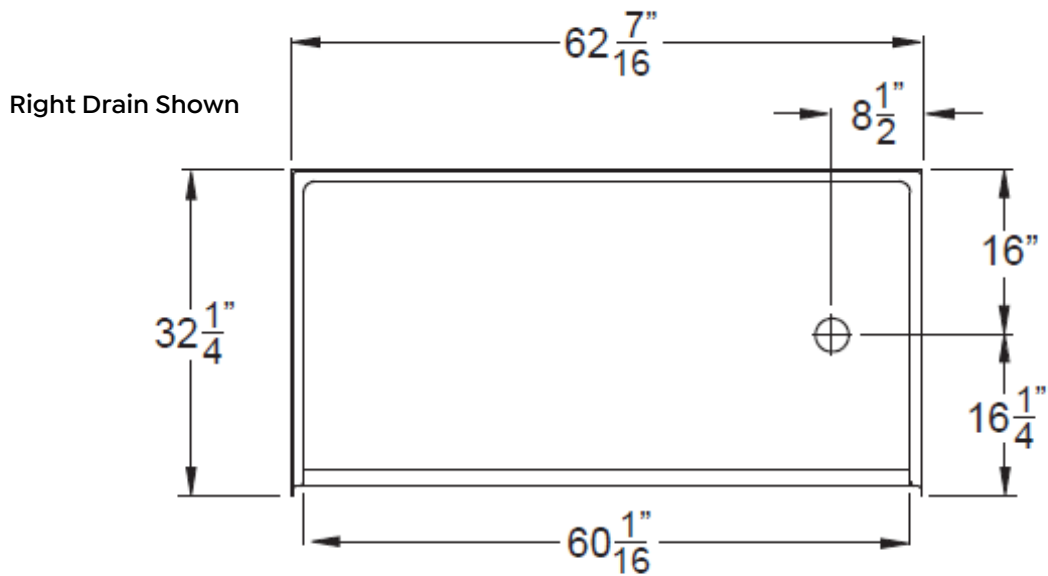
INDIVIDUAL ACCESSORIES AVAILABLE:

- Reversible, L-shaped folding shower seat
- Grab bars
- Soap dish, stainless
- Adjustable handheld shower kit with bar
- ADA pressure-balanced shower valve
- Collapsible water retainer with end cap
- Weighted shower curtain and rod
- Drain and chrome strainer

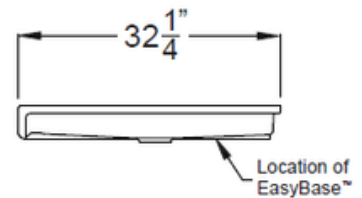
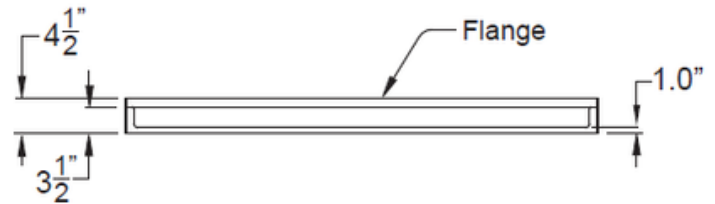
For complete shower unit with pan and walls see model APF6232BF5PL or APF6232BF5PR

Freedom ADA Roll-in Shower Pan 62" x 32" Left or Right Drain

MODEL: APF6232BFPANLR



THRESHOLD VIEW



NOTES:

Dimensional Tolerance $\pm 1/2"$.
Accessibility Professionals Inc. assumes no responsibility for prep work

CODE COMPLIANCE:

- IPC International Plumbing Code
- UPC Uniform Plumbing Code
- ADA Accessibility Guidelines for Buildings and Facilities
- ANSI A117.1 Accessible and Usable Buildings and Facilities
- ANSI Z124.2 Standards for Plastic Showers
- CSA Canadian Standards Association

FRAME-IN DIMENSIONS:

A	62 11/16"
B	8 5/8"
C	32 1/4"
D	16"

