

Freedom ADA Roll-in Shower Pan 62 3/8" x 32 1/4" Center Drain

MODEL: APF6232BFPANC



Made in USA



30-Year Warranty

EXTERIOR DIMENSIONS:

62 3/8" x 32 1/4" x 4 1/2"

INSIDE DIMENSIONS:

60" x 30"

FEATURES:

- 3/4" barrier free threshold
- Pre-leveled and reinforced shower base for easy installation
- Centre drain location
- Fiberglass construction
- Durable, easy-to-clean applied acrylic
- Textured floor

ACCESSORY PACKAGES AVAILABLE:

ADA Accessory Package includes:

- Reversible, L-shaped folding shower seat
- Grab bars x 3
- Soap dish, stainless

Water Retention Package includes:

- Collapsible water retainer with end caps
- Weighted shower curtain
- Curtain rod

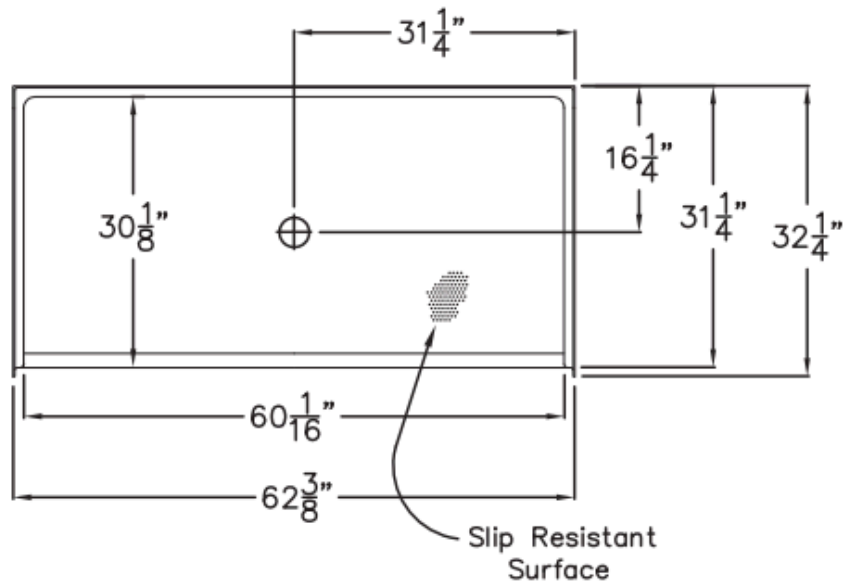
INDIVIDUAL ACCESSORIES AVAILABLE:

- Reversible, L-shaped folding shower seat
- Grab bars
- Soap dish, stainless
- Adjustable handheld shower kit with bar
- ADA pressure-balanced shower valve
- Collapsible water retainer with end cap
- Weighted shower curtain and rod
- Drain and chrome strainer

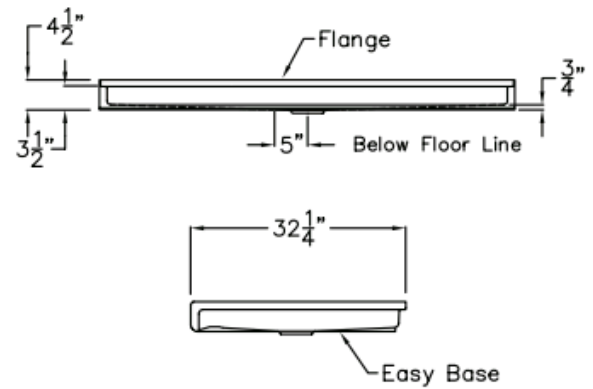
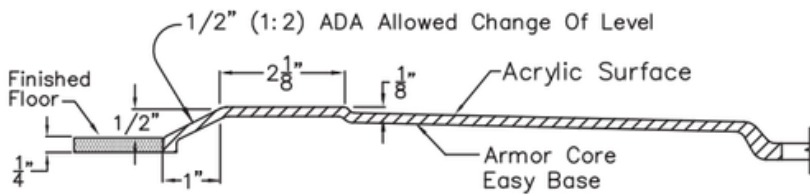
For complete shower unit with pan and walls see model APF6232BF5PC

Freedom ADA Roll-in Shower Pan 62" x 32" Center Drain

MODEL: APF6232BFPANC



Detail of 3/4" Threshold



NOTES:

Dimensional Tolerance $\pm 1/2"$.
Accessibility Professionals Inc. assumes no responsibility for prep work

CODE COMPLIANCE:

- IPC International Plumbing Code
- UPC Uniform Plumbing Code
- ADA Accessibility Guidelines for Buildings and Facilities
- ANSI A117.1 Accessible and Usable Buildings and Facilities
- ANSI Z124.2 Standards for Plastic Showers
- CSA Canadian Standards Association

FRAME-IN DIMENSIONS:

A	62 5/8"
B	31 5/16"
C	32 1/4"
D	16 1/4"

