

Freedom ADA Transfer Shower 40 1/4" x 38 1/2"

MODEL: APFQ3637BF3P LR
FOR VOLUME ORDERS, REFERENCE MODEL: APF3637BF3P LR



Made in USA



30-Year Warranty

EXTERIOR DIMENSIONS:

40 1/4" x 38 1/2" x 77 7/8"

INSIDE DIMENSIONS:

36" x 36"

FEATURES:

- 7/8" threshold with re-leveled and reinforced shower base for easy installation
- 3-pieces for remodeling projects
- Handed by valve wall, Left or Right available
- Center drain
- Fiberglass construction
- Durable, easy-to-clean applied acrylic, smooth walls
- Fully reinforced walls offer strength and easy installation of accessories
- Dual recessed receiver flanges for compliance

ADA ACCESSORY PACKAGE AVAILABLE WITH:

- Grab bars, straight and inside corner
- L-shaped folding shower seat
- Soap dish, stainless
- Curtain rod
- Drain and chrome strainer

INDIVIDUAL ACCESSORIES AVAILABLE:

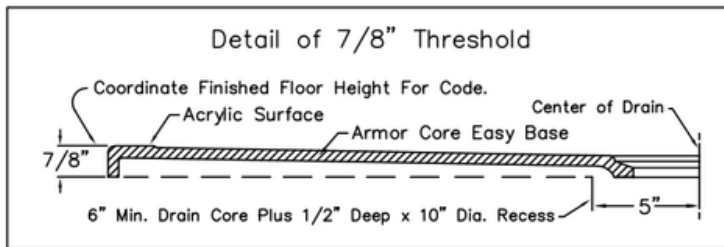
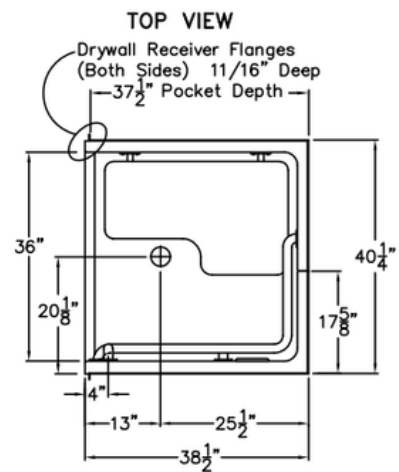
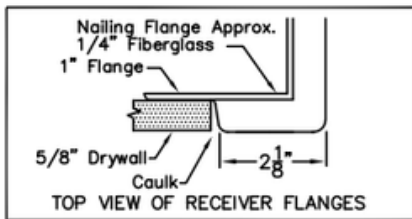
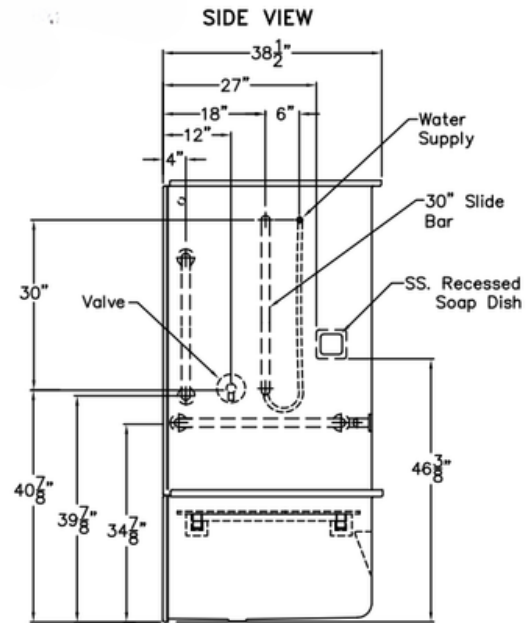
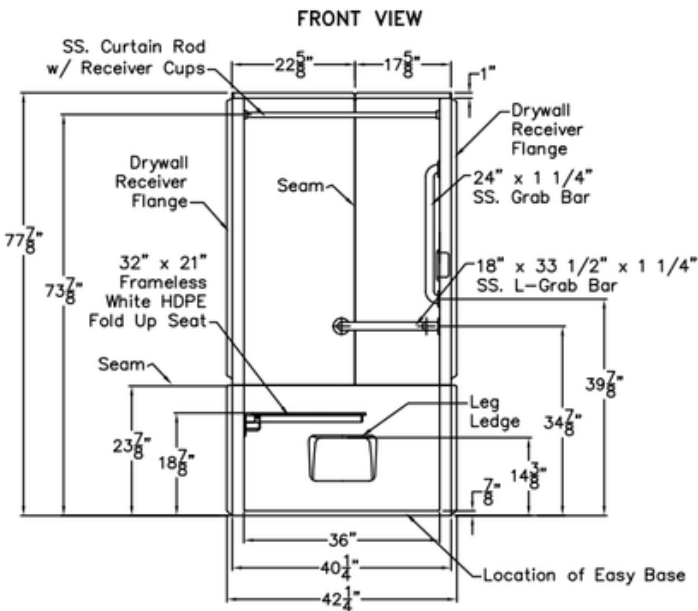
- Grab bars
- L-shaped Folding Shower Seat
- Adjustable handheld shower kit with bar
- ADA pressure-balanced shower valve
- Collapsible water retainer with end caps
- Weighted shower curtain and rod
- Drain and chrome strainer
- Flange trim kit
- Soap dish

ADA compliant with correct ADAAG accessory installation

Freedom ADA Transfer Shower

40 1/4" x 38 1/2"

MODEL: APFQ3637BF3P LR
FOR VOLUME ORDERS, REFERENCE
MODEL: APF3637BF3P LR



NOTES:

Dimensional Tolerance $\pm 1/2"$.
 Accessibility Professionals Inc. assumes no responsibility for prep work

CODE COMPLIANCE:

- ADA Accessibility Guidelines for Buildings and Facilities
- ANSI A117.1 Accessible and Usable Buildings and Facilities
- ANSI Z124.2 Standards for Plastic Showers
- IPC International Plumbing Code
- UPC Uniform Plumbing Code
- CSA Canadian Standards Association

FRAME-IN DIMENSIONS:

A	40 1/2"
B	20 1/4"
C	37 3/4"
D	25 1/2"

