

# Freedom Accessible Shower 54" x 37" Left or Right Drain

MODEL: APF5436BF5P LR



Left Drain Shower Shown



Made in USA



30-Year Warranty

#### EXTERIOR DIMENSIONS:

**54" x 36 7/8" x 77 3/4"**

#### INTERIOR DIMENSIONS:

**51 3/4" X 34 1/2"**

#### FEATURES:

- 5-piece for remodeling
- 1" Barrier free threshold with pre-leveled and reinforced shower base for easy installation
- Left or right drain location
- 1 Molded soap/foot ledge
- Fiberglass construction
- Durable, easy-to-clean applied acrylic with 8" tile pattern
- Fully reinforced walls offer strength and easy installation of accessories

---

#### ACCESSORY PACKAGES AVAILABLE:

Residential Safety Package includes:

- Fold-up wall-mounted shower bench
- 3 x Grab bars

Water Retention Package includes:

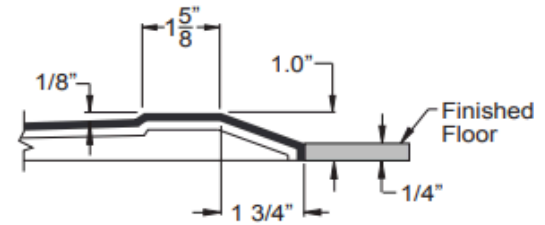
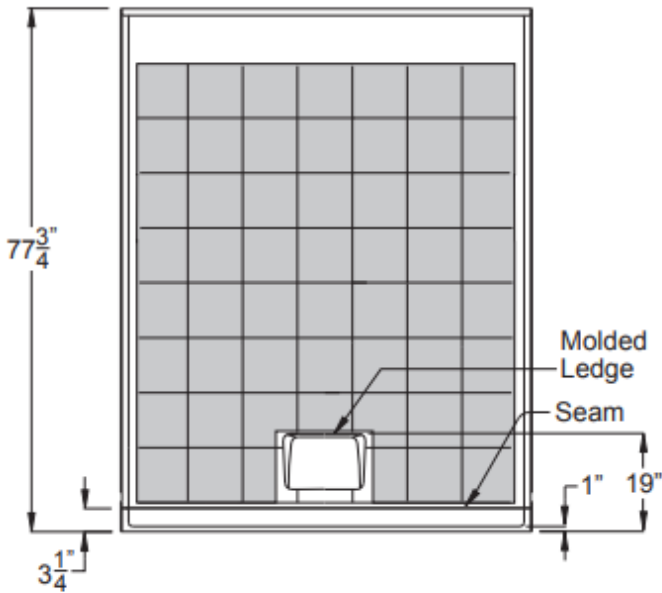
- Collapsible water retainer with end caps
- Weighted shower curtain and rod

#### INDIVIDUAL ACCESSORIES AVAILABLE:

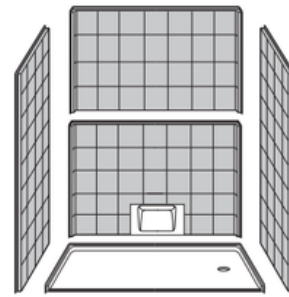
- Fold-up shower bench (various styles)
- Grab bars (various styles and sizes)
- Adjustable handheld shower kit with bar
- ADA pressure-balanced shower valve
- Collapsible water retainer with end caps
- Weighted shower curtain and rod
- Drain and chrome strainer
- Flange trim kit

# Freedom Accessible Shower 54" x 37" Left or Right Drain

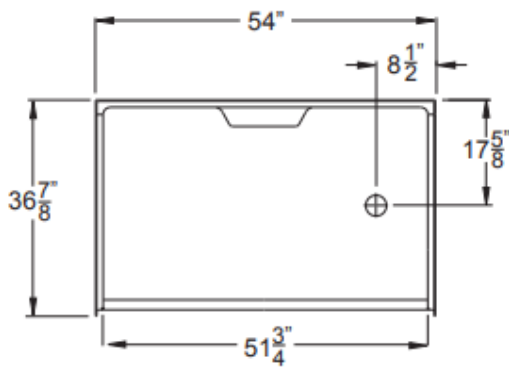
MODEL: APF5436BF5P LR



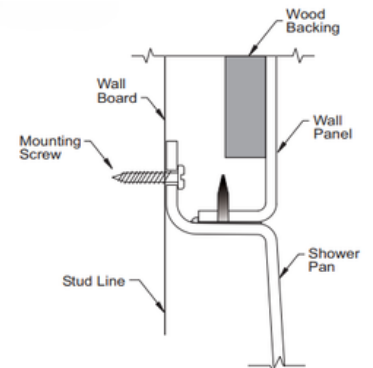
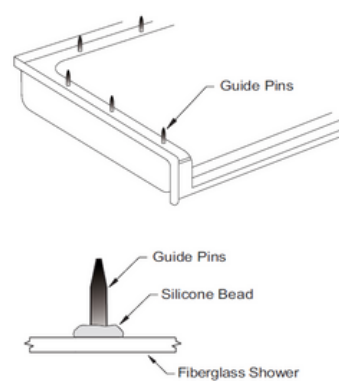
THRESHOLD VIEW



Right Drain Shown



Right Drain Shown



## NOTES:

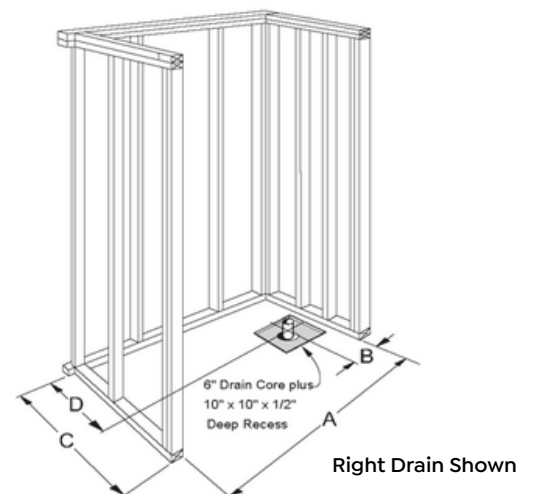
Dimensional Tolerance  $\pm 1/2$ ".  
Accessibility Professionals Inc. assumes  
no responsibility for prep work

## CODE COMPLIANCE:

- IPC International Plumbing Code
- UPC Uniform Plumbing Code
- ANSI Z124.2 Standards for Plastic Showers
- CSA Canadian Standards Association

## FRAME-IN DIMENSIONS:

A	54 1/4"
B	8 9/16"
C	36 7/8"
D	17 5/8"



Right Drain Shown