

# Freedom Accessible Shower Pan 54" x 37" Left or Right Drain

MODEL: APF5436BFPAN LR



Left Drain Option Shown



Made in USA



30-Year Warranty

## EXTERIOR DIMENSIONS:

54" x 36 7/8" x 4 1/4"

## FEATURES:

- 1" barrier free threshold
- Pre-leveled and reinforced shower base for easy installation
- Handed by drain, Left or Right available
- Fiberglass construction
- Durable, easy-to-clean applied acrylic
- Textured Floor

## ACCESSORY PACKAGES AVAILABLE:

Residential Safety Package includes:

- Grab bars x 3
- Wall-mounted, folding shower seat

Water Retention Package includes:

- Collapsible water retainer with end caps
- Weighted shower curtain
- Curtain rod

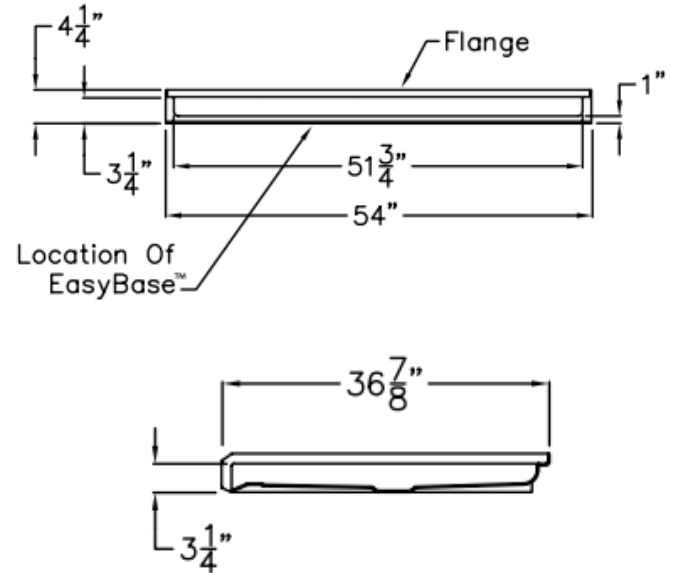
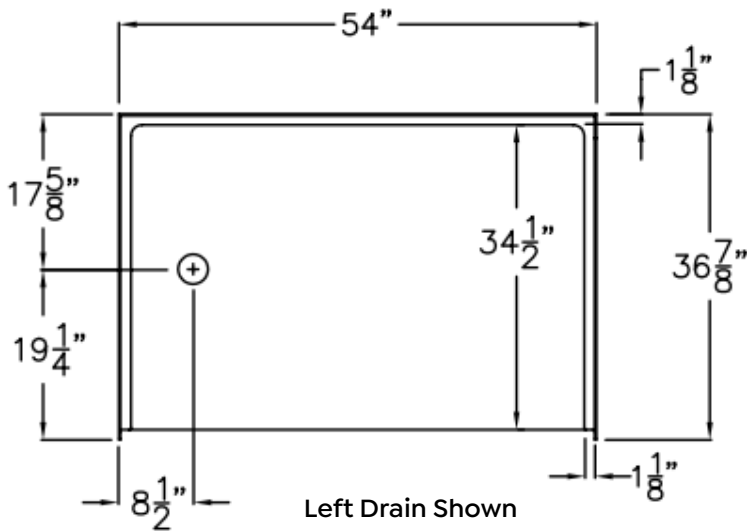
## INDIVIDUAL ACCESSORIES AVAILABLE:

- Fold-up shower bench (various styles)
- Grab bars (various styles and sizes)
- Adjustable handheld shower kit with bar
- ADA pressure-balanced shower valve
- Collapsible water retainer with end caps
- Weighted shower curtain and rod
- Drain and chrome strainer
- Flange trim kit

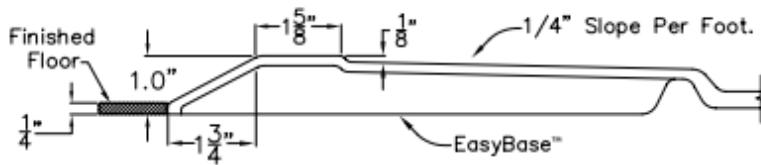
For complete shower unit with pan and walls  
see model APF5436BF5P LR

# Freedom Accessible Shower Pan 54" x 37" Left or Right Drain

MODEL: APF5436BFPAN LR



## Detail of 1.0" Threshold



## THRESHOLD VIEW

### NOTES:

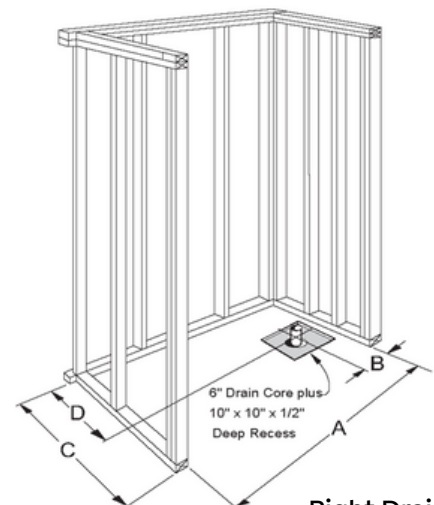
Dimensional Tolerance  $\pm 1/2"$ .  
Accessibility Professionals Inc.  
assumes no responsibility for prep work

### CODE COMPLIANCE:

- IPC International Plumbing Code
- UPC Uniform Plumbing Code
- ANSI Z124.2 Standards for Plastic Showers
- CSA Canadian Standards Association

### FRAME-IN DIMENSIONS:

A	54 1/4"
B	8 5/8"
C	36 7/8"
D	17 5/8"



Right Drain Shown