

Freedom Accessible Shower 54" x 31" Left or Right Drain

MODEL: APF5430BF5P LR



Left Drain Shower Shown



Made in USA



30-Year Warranty

EXTERIOR DIMENSIONS:

54" x 31" x 77 3/4"

INTERIOR DIMENSIONS:

51 3/4" X 28 5/8"

FEATURES:

- 5-piece for remodeling
- 1" Barrier free threshold
- Pre-leveled and reinforced shower base for easy installation
- Left or right drain location
- 1 Molded soap/foot ledge
- Fiberglass construction
- Durable, easy-to-clean applied acrylic with 8" tile pattern
- Fully reinforced walls offer strength and easy installation of accessories

ACCESSORY PACKAGES AVAILABLE:

Residential Safety Package include:

- Fold-up wall-mounted shower bench
- 3 x Grab bars

Water Retention Package

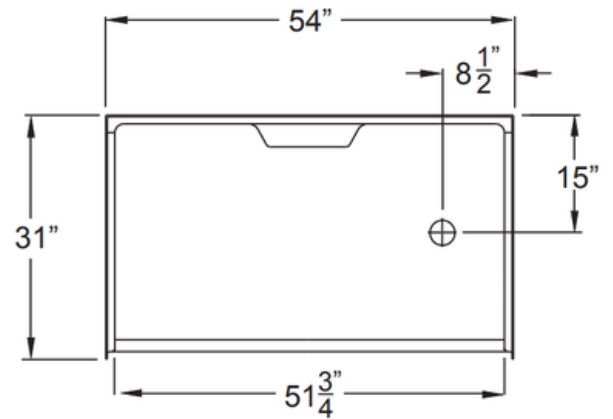
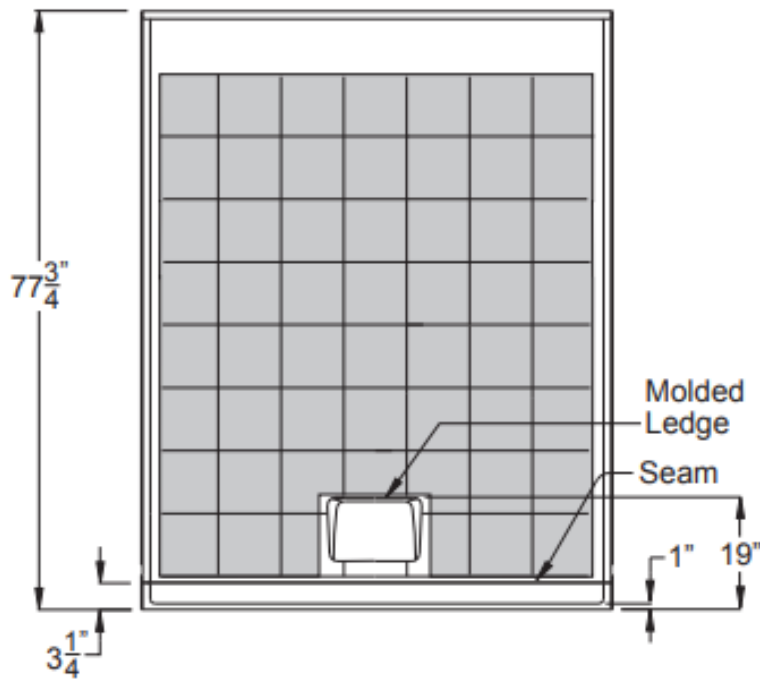
- Collapsible water retainer with end caps
- Weighted shower curtain and rod

INDIVIDUAL ACCESSORIES AVAILABLE:

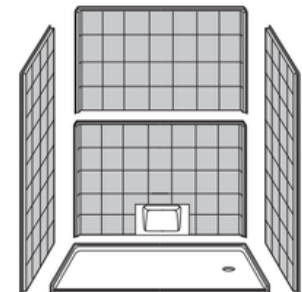
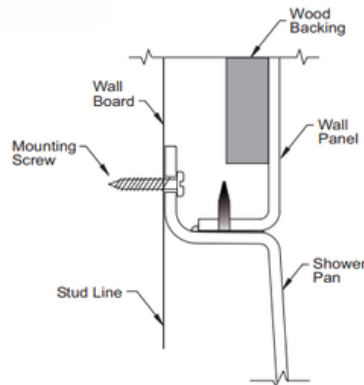
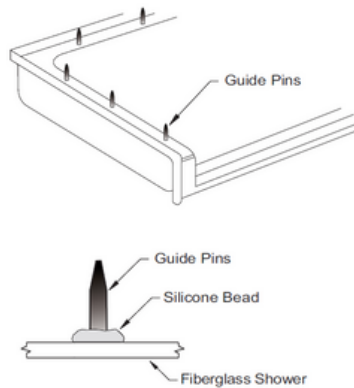
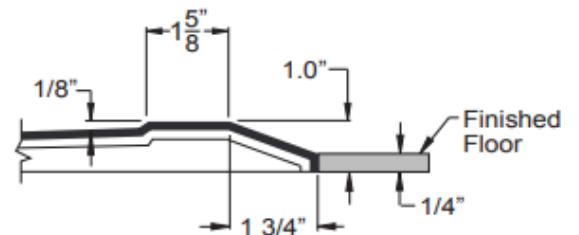
- Fold-up shower bench (various styles)
- Grab bars (various styles and sizes)
- Adjustable handheld shower kit with bar
- ADA pressure-balanced shower valve
- Collapsible water retainer with end caps
- Weighted shower curtain and rod
- Drain and chrome strainer
- Flange trim kit

Freedom Accessible Shower 54" x 31" Left or Right Drain

MODEL: APF5430BF5P LR



Right Drain Shown



Right Drain Shown

NOTES:

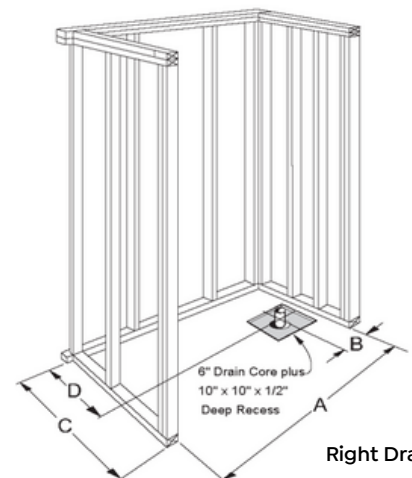
Dimensional Tolerance $\pm 1/2"$.
Accessibility Professionals Inc. assumes
no responsibility for prep work

CODE COMPLIANCE:

- ANSI Z124.2 Standards for Plastic Showers
- CSA Canadian Standards Association

FRAME-IN DIMENSIONS:

A	54 1/4"
B	8 9/16"
C	31"
D	15"



Right Drain Shown