

# Freedom ADA Roll-in Shower 62 5/8" x 38 1/4" Center Drain

MODEL: APF6238BF5P.75



Made in USA



30-Year Warranty

ADA compliant with correct ADAAG accessory installation

## EXTERIOR DIMENSIONS:

62 5/8" x 38 1/4" x 79"

## INSIDE DIMENSIONS:

60" x 36"

## FEATURES:

- 5-piece shower for remodeling
- 3/4" barrier-free, change-of-level threshold
- Pre-leveled and reinforced shower base for easy installation
- 1 molded soap/foot ledge
- Fiberglass construction
- Durable, easy-to-clean applied acrylic with subway tile pattern
- Fully reinforced backing in walls offers strength and easy installation of accessories

## ACCESSORY PACKAGES AVAILABLE:

### ADA PACKAGE includes:

- Grab bars x 3
- Reversible L-shaped folding shower seat
- Soap dish

### WATER RETENTION PACKAGE includes:

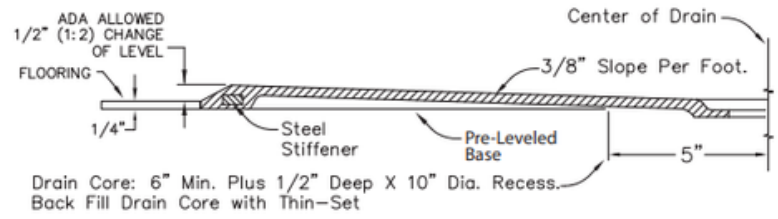
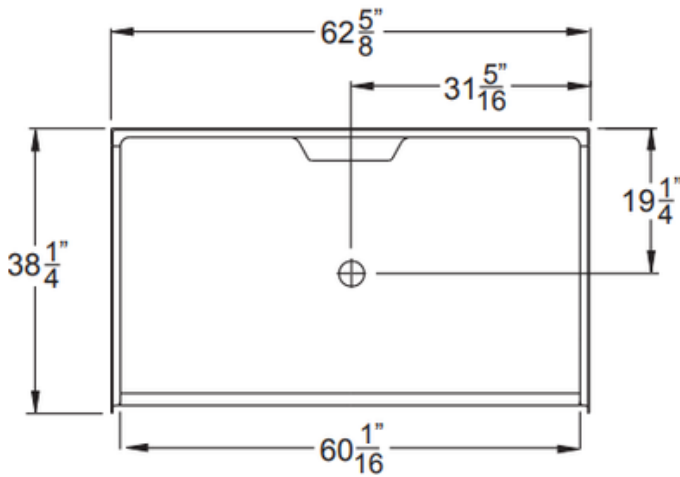
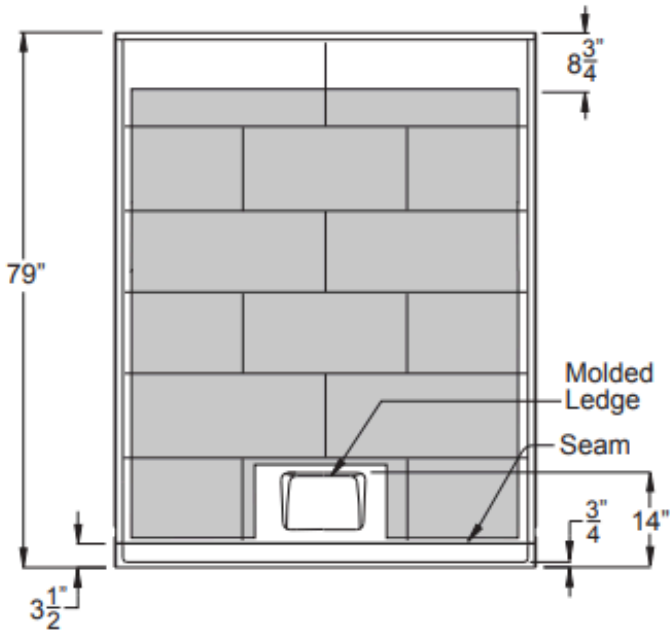
- Collapsible water retainer with end caps
- Weighted shower curtain and rod

## INDIVIDUAL ACCESSORIES AVAILABLE:

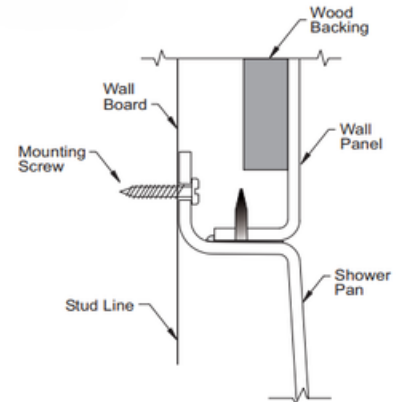
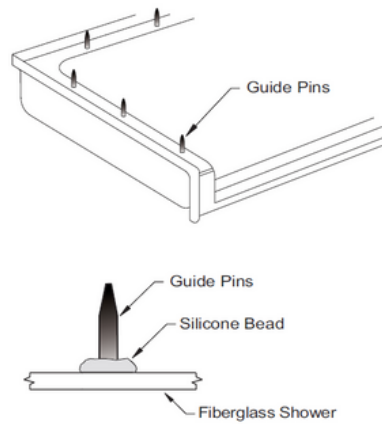
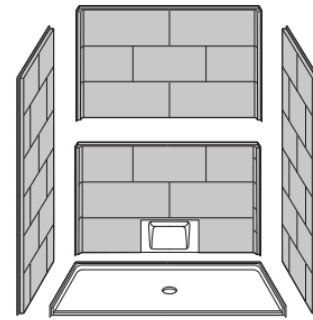
- Grab bars
- Reversible L-shaped folding shower seat
- Adjustable handheld shower kit with bar
- ADA pressure-balanced shower valve
- Collapsible water retainer with end caps
- Weighted shower curtain and rod
- Drain and chrome strainer
- Flange trim kit
- Soap dish

# Freedom ADA Roll-in Shower 62" x 38" Center Drain

MODEL: APF6238BF5P.75



THRESHOLD VIEW



## NOTES:

Dimensional Tolerance  $\pm 1/2"$ .  
Accessibility Professionals Inc.  
assumes no responsibility for prep work

## CODE COMPLIANCE:

- ADA Accessibility Guidelines for Buildings and Facilities
- MAS, TAS
- NAHB, HUD, FHA
- IPC International Plumbing Code
- UPC Uniform Plumbing Code
- ANSI Z124.2 Standards for Plastic Showers
- CSA Canadian Standards Association

## FRAME-IN DIMENSIONS:

A	62 7/8"
B	31 7/16"
C	38 1/4"
D	19 1/4"

