

# Freedom ADA Roll In Shower 63" x 38 1/2"

MODEL: APFQ6437BF875 LR

FOR VOLUME ORDERS, REFERENCE MODEL: APF6437BF875



Made in USA



30-Year Warranty

ADA compliant with correct ADAAG accessory installation

## EXTERIOR DIMENSIONS:

63" x 38 1/2" x 80 7/8"

## INSIDE DIMENSIONS:

60" x 36"

## FEATURES:

- 1-piece for new construction
- 7/8" barrier free threshold
- Pre-leveled and reinforced shower base for easy installation
- Handed by seat side, left or right (seat available to add)
- Center drain location
- 3 molded soap ledges
- Fiberglass construction
- Durable, easy-to-clean applied acrylic with tile pattern
- Fully reinforced walls offer strength and easy installation of accessories

## ADA ACCESSORY PACKAGE AVAILABLE:

Factory-installed package includes

- Fold-up L-shaped shower seat
- 3 x Grab bars
- Surface mount soap dish
- Curtain rod
- Drain and chrome strainer

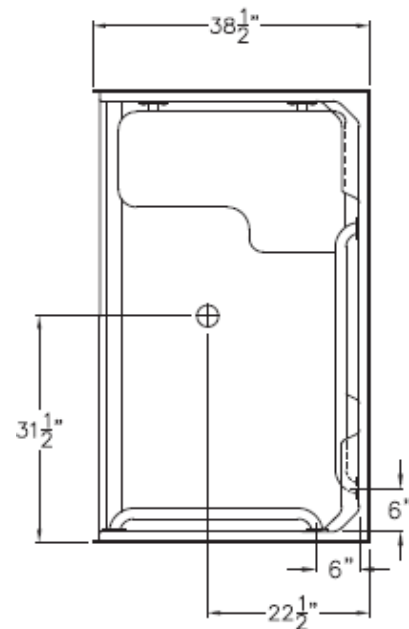
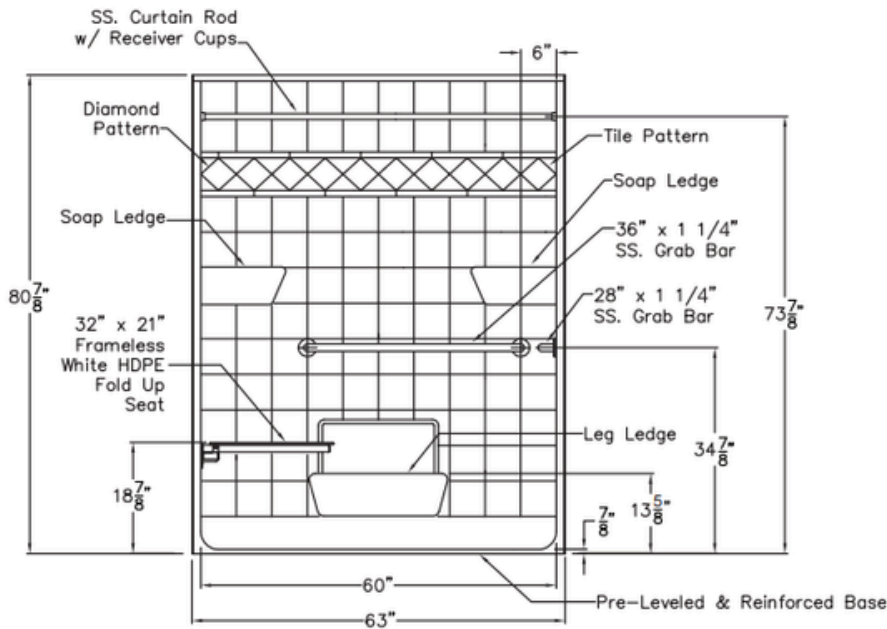
## INDIVIDUAL ACCESSORIES AVAILABLE:

- Grab bars
- L-shaped folding shower seat
- Adjustable handheld shower kit with bar
- ADA pressure-balanced shower valve
- Collapsible water retainer with end caps
- Weighted shower curtain and rod
- Drain and chrome strainer
- Flange trim kit
- Soap dish

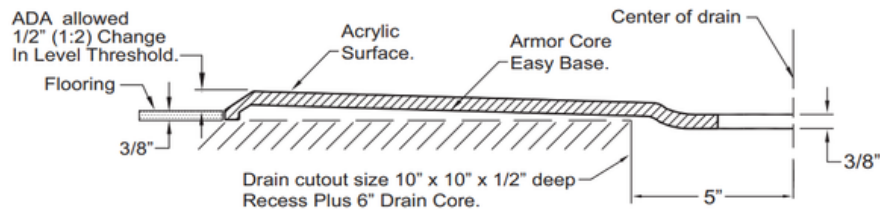
# Freedom ADA Roll In Shower

## 63" x 38 1/2"

**MODEL: APFQ6437BF875 LR**  
**FOR VOLUME ORDERS, REFERENCE**  
**MODEL: APF6437BF875**



Handed by seat, left seat shown  
 With optional ADA accessories



**Detail Of Threshold**

### NOTES:

Dimensional Tolerance  $\pm 1/2"$ .  
 Accessibility Professionals Inc.  
 assumes no responsibility for prep work

### CODE COMPLIANCE:

- ADA Accessibility Guidelines for Buildings and Facilities
- ANSI A117.1 Accessible and Useable Buildings and Facilities
- MAS
- IPC International Plumbing Code
- UPC Uniform Plumbing Code
- ANSI Z124.2 Standards for Plastic Showers
- CSA Canadian Standards Association

### FRAME-IN DIMENSIONS:

<b>A</b>	63 1/4"
<b>B</b>	31 5/8"
<b>C</b>	38 1/2"
<b>D</b>	22 1/2"

