

# Freedom ADA Roll-in Shower 62" x 33"

**MODEL: APFQ6233BFF875 LR**

**FOR VOLUME ORDERS, REFERENCE MODEL: APF6233BFF875**



Made in USA



30-Year Warranty

ADA compliant with correct ADAAG accessory installation

## EXTERIOR DIMENSIONS:

**62" x 32 3/4" x 78 5/8"**

## INSIDE DIMENSIONS:

**60" x 30"**

## FEATURES:

- 1-piece shower for new construction
- 7/8" barrier free threshold with pre-leveled and reinforced shower base for easy installation
- Center drain location
- Handed by seat side, left or right (seat available to add)
- Textured Floor
- Fiberglass construction
- Durable, easy-to-clean applied acrylic, smooth walls
- Fully reinforced walls offer strength and easy installation of accessories

## ADA ACCESSORY PACKAGE AVAILABLE:

Factory-installed package includes

- Fold-up L-shaped shower seat
- 3 x Grab bars
- Surface mount soap dish
- Curtain rod
- Drain and chrome strainer

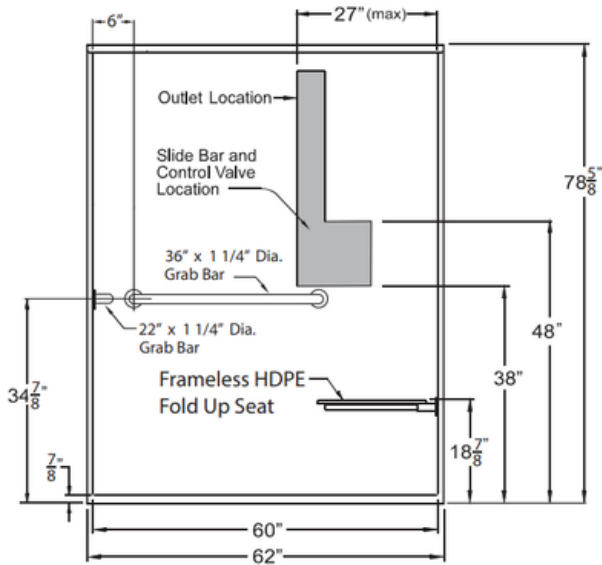
INDIVIDUAL ACCESSORIES AVAILABLE:

- Grab bars
- L-shaped folding shower seat
- Adjustable handheld shower kit with bar
- ADA pressure-balanced shower valve
- Collapsible water retainer with end caps
- Weighted shower curtain and rod
- Drain and chrome strainer
- Flange trim kit
- Soap dish

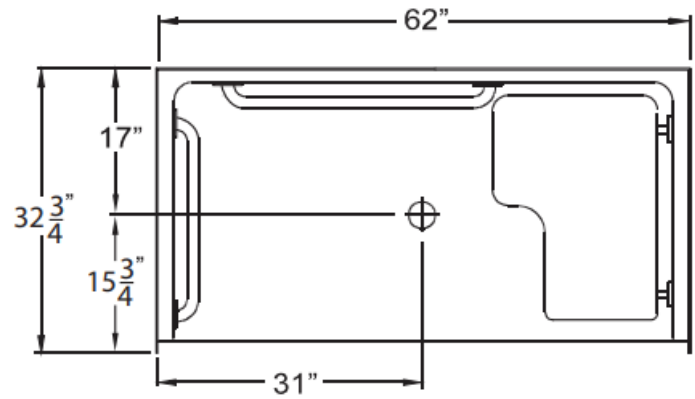
# Freedom ADA Roll-in Shower

## 62" x 33"

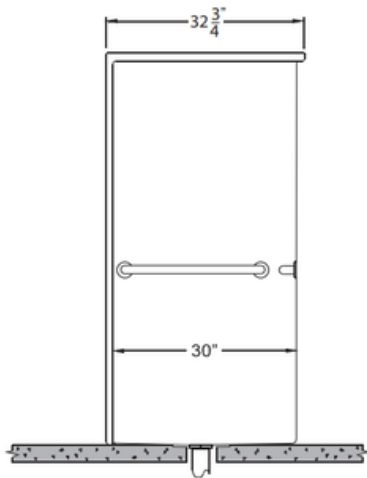
MODEL: APFQ6233BFF875 LR  
 FOR VOLUME ORDERS, REFERENCE MODEL:  
 APF6233BFF875



Front View



Top View

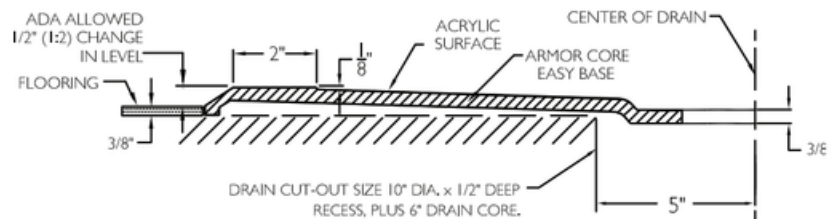
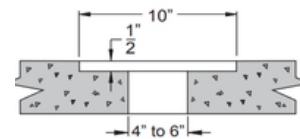


Side View

**DETAIL OF DRAIN CORE AREA**

4" To 6" Diameter Drain Core Through Slab.

10" Diameter x 1/2" Deep Recess Around Core



**NOTES:**

Dimensional Tolerance  $\pm 1/2"$ .  
 Accessibility Professionals Inc.  
 assumes no responsibility for prep work

**CODE COMPLIANCE:**

- ADA Accessibility Guidelines for Buildings and Facilities
- ANSI A117.1 Accessible and Usable Buildings and Facilities
- IPC International Plumbing Code
- UPC Uniform Plumbing Code
- ANSI Z124.2 Standards for Plastic Showers
- CSA Canadian Standards Association

**FRAME-IN DIMENSIONS:**

A	62 1/4"
B	31 1/8"
C	32 3/4"
D	17"

