

Freedom Accessible Shower 60" x 61", Center Drain

MODEL: APF6060BF5P



Made in USA



30-Year Warranty

EXTERIOR DIMENSIONS:

60" x 61" x 78"

FEATURES:

- 5-piece for remodeling
- 1 1/8" barrier free threshold with pre-leveled and reinforced shower base for easy installation
- Molded soap ledge
- Center drain location
- Fiberglass construction
- Durable, easy-to-clean applied acrylic with 8" tile pattern
- Fully reinforced backing in walls offers strength and easy installation of accessories

ACCESSORY PACKAGES AVAILABLE:

Residential Safety Package includes:

- Fold-up wall-mounted shower bench
- 3 x Grab bars

Water Retention Package includes:

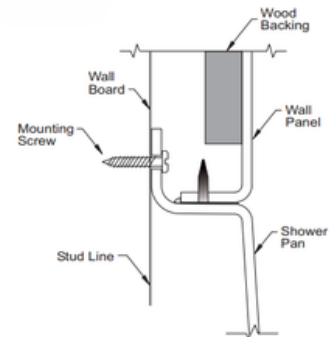
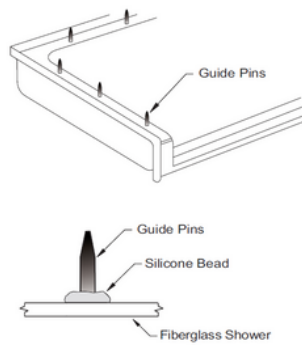
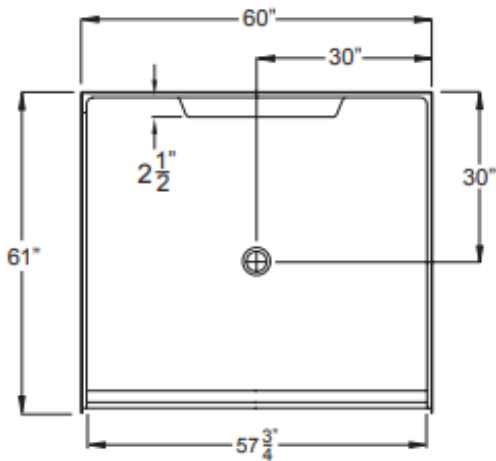
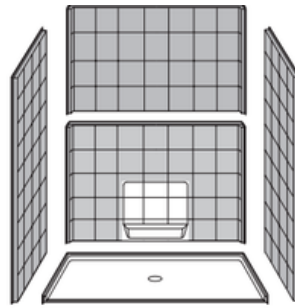
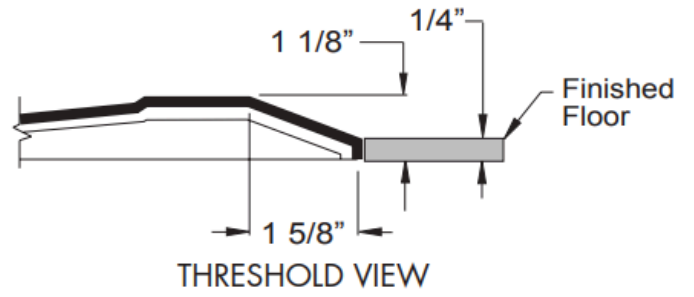
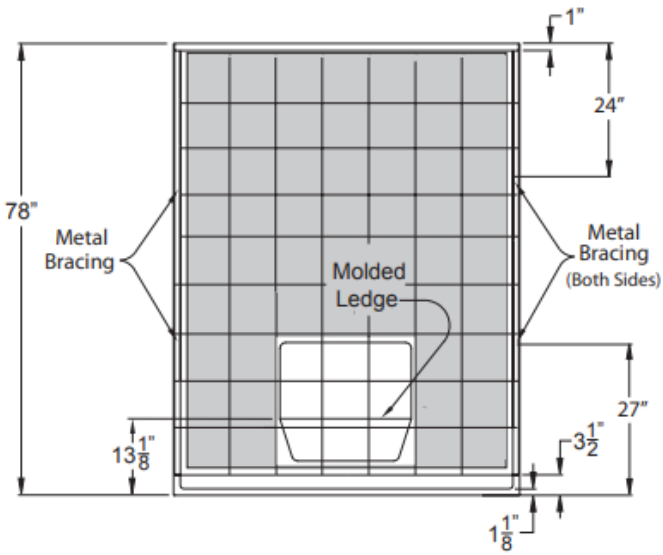
- Collapsible water retainer with end caps
- Weighted shower curtain and rod

INDIVIDUAL ACCESSORIES AVAILABLE:

- Fold-up shower bench (various styles)
- Grab bars (various styles and sizes)
- Adjustable handheld shower kit with bar
- ADA pressure-balanced shower valve
- Collapsible water retainer with end caps
- Weighted shower curtain and rod
- Drain and chrome strainer
- Flange trim kit

Freedom Accessible Shower 60" x 61" Center Drain

MODEL: APF6060BF5P



NOTES:

Dimensional Tolerance $\pm 1/2"$.
Accessibility Professionals Inc.
assumes no responsibility for prep work

CODE COMPLIANCE:

- IPC International Plumbing Code
- UPC Uniform Plumbing Code
- ANSI Z124.2 Standards for Plastic Showers
- CSA Canadian Standards Association

FRAME-IN DIMENSIONS:

| | |
|---|---------|
| A | 60 1/4" |
| B | 30 1/8" |
| C | 61" |
| D | 30" |

