

# Freedom Accessible Shower 60" x 31" Center Drain

MODEL: APF6030BF5PC



Made in USA



30-Year Warranty

## EXTERIOR DIMENSIONS:

**60" x 31" x 78"**

## FEATURES:

- 5-piece for remodeling
- 3/4" barrier free threshold with pre-leveled and reinforced shower base for easy installation
- Center drain
- Molded soap ledge
- Fiberglass construction
- Durable, easy-to-clean applied acrylic with 8" tile pattern
- Fully reinforced walls that offers strength and ease of installation for accessories

## ACCESSORY PACKAGES AVAILABLE:

Residential Safety Package includes:

- Fold-up wall-mounted shower bench
- 3 x Grab bars

Water Retention Package includes:

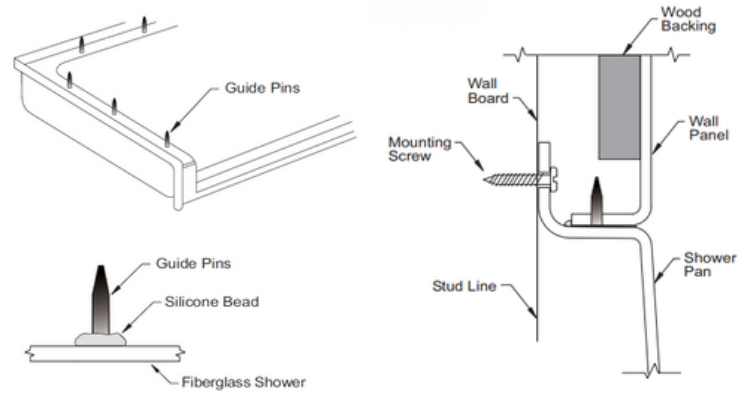
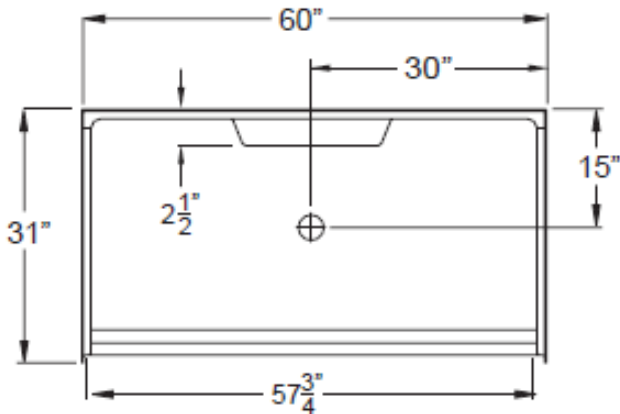
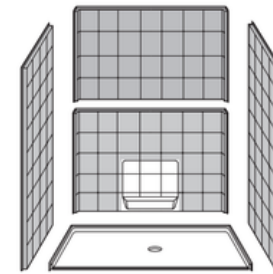
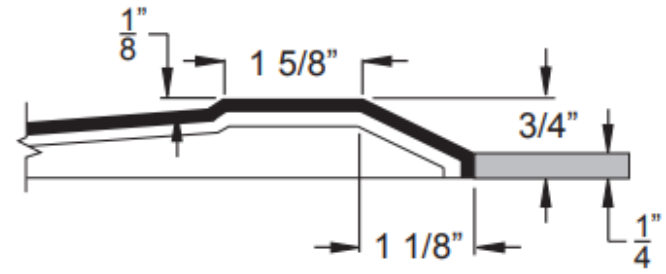
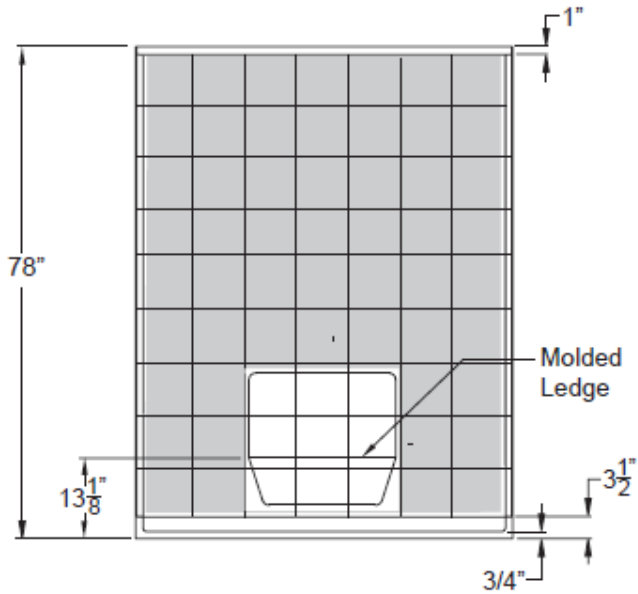
- Collapsible water retainer with end caps
- Weighted shower curtain and rod

## INDIVIDUAL ACCESSORIES AVAILABLE:

- Fold-up shower bench (various styles)
- Grab bars (various styles and sizes)
- Adjustable handheld shower kit with bar
- ADA pressure-balanced shower valve
- Collapsible water retainer with end caps
- Weighted shower curtain and rod
- Drain and chrome strainer
- Flange trim kit

# Freedom Accessible Shower 60" x 31" Center Drain

MODEL: APF6030BF5PC



## NOTES:

Dimensional Tolerance  $\pm 1/2"$ .  
Accessibility Professionals Inc. assumes  
no responsibility for prep work

## CODE COMPLIANCE:

- ANSI Z124.2 Standards for Plastic Showers
- CSA Canadian Standards Association

## FRAME-IN DIMENSIONS:

A	60 1/4"
B	30 1/8"
C	31"
D	15"

