

Freedom Accessible Shower 60" x 31" Left or Right Drain

MODEL: APF6030BF5P LR



Left Drain Shower Shown



Made in USA



30-Year Warranty

EXTERIOR DIMENSIONS:

60" x 31" x 78"

FEATURES:

- 5-piece for remodeling
- 1" barrier free threshold with pre-leveled and reinforced shower base for easy installation
- Left or right drain for bathtub replacement
- Molded soap ledge
- Texture, slip-resistant floor
- Fiberglass construction
- Durable, easy-to-clean applied acrylic finish, with 8" tile pattern
- Fully reinforced walls for installation of weight bearing accessories

ACCESSORY PACKAGES AVAILABLE:

Residential Safety Package includes:

- Fold-up wall-mounted shower bench
- 3 x Grab bars

Water Retention Package includes:

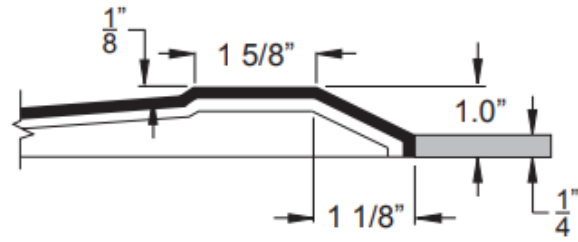
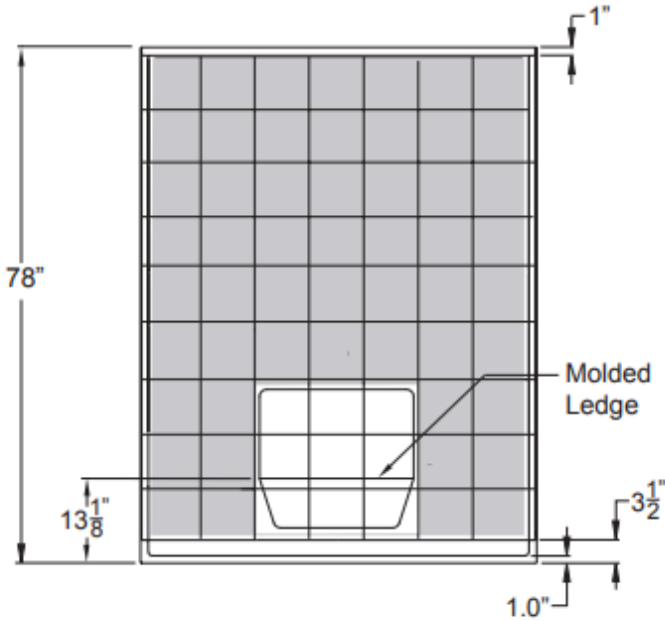
- Collapsible water retainer with end caps
- Weighted shower curtain and rod

INDIVIDUAL ACCESSORIES AVAILABLE:

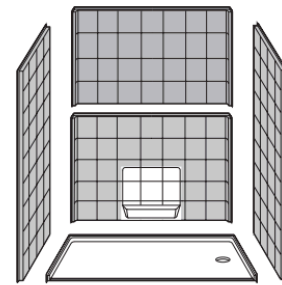
- Fold-up shower bench (various styles)
- Grab bars (various styles and sizes)
- Adjustable handheld shower kit with bar
- ADA pressure-balanced shower valve
- Collapsible water retainer with end caps
- Weighted shower curtain and rod
- Drain and chrome strainer
- Flange trim kit

Freedom Accessible Shower 60" x 31" Left or Right Drain

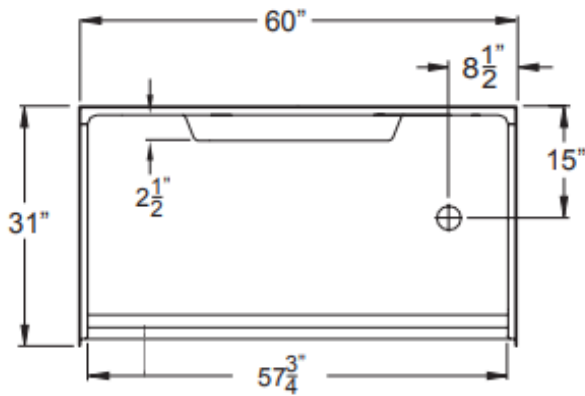
MODEL: APF6030BF5P LR



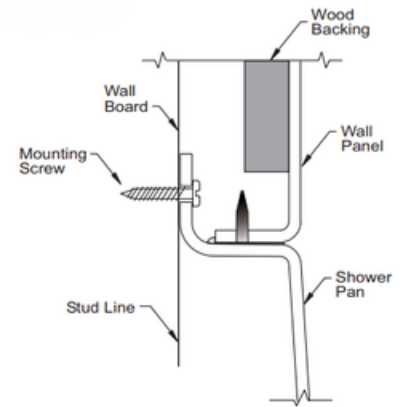
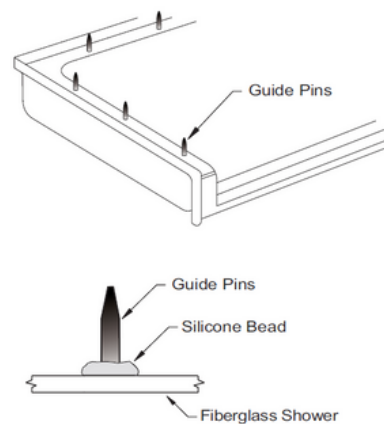
THRESHOLD VIEW



Right Drain Shown



Right Drain Shown



NOTES:

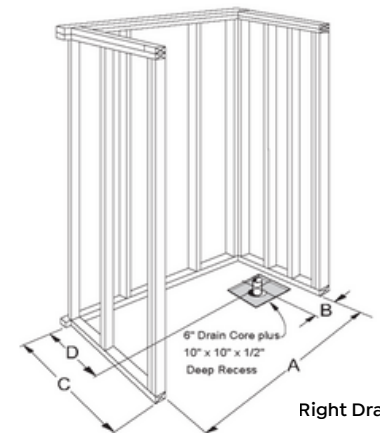
Dimensional Tolerance $\pm 1/2"$.
Accessibility Professionals Inc.
assumes no responsibility for prep work

CODE COMPLIANCE:

- ANSI Z124.2 Standards for Plastic Showers
- CSA Canadian Standards Association

FRAME-IN DIMENSIONS:

A	60 1/4"
B	8 5/8"
C	31"
D	15"



Right Drain Shown