

# Freedom Accessible Shower 48" x 37", Center Drain

MODEL: APF4836BF4P



Made in USA



30-Year Warranty

#### EXTERIOR DIMENSIONS:

**48" x 37" x 78"**

#### INTERIOR DIMENSIONS:

**45 3/4" x 34 7/8"**

#### FEATURES:

- 4-piece for remodeling
- 7/8" barrier free threshold with pre-leveled and reinforced shower base for easy installation
- 3 molded soap ledges
- Fiberglass construction
- Durable, easy-to-clean applied acrylic with 8" tile pattern
- Fully reinforced backing in walls offers strength and easy installation of accessories

#### ACCESSORY PACKAGES AVAILABLE:

Residential Safety Package includes:

- Fold-up wall-mounted shower bench
- 3 x Grab bars

Water Retention Package includes:

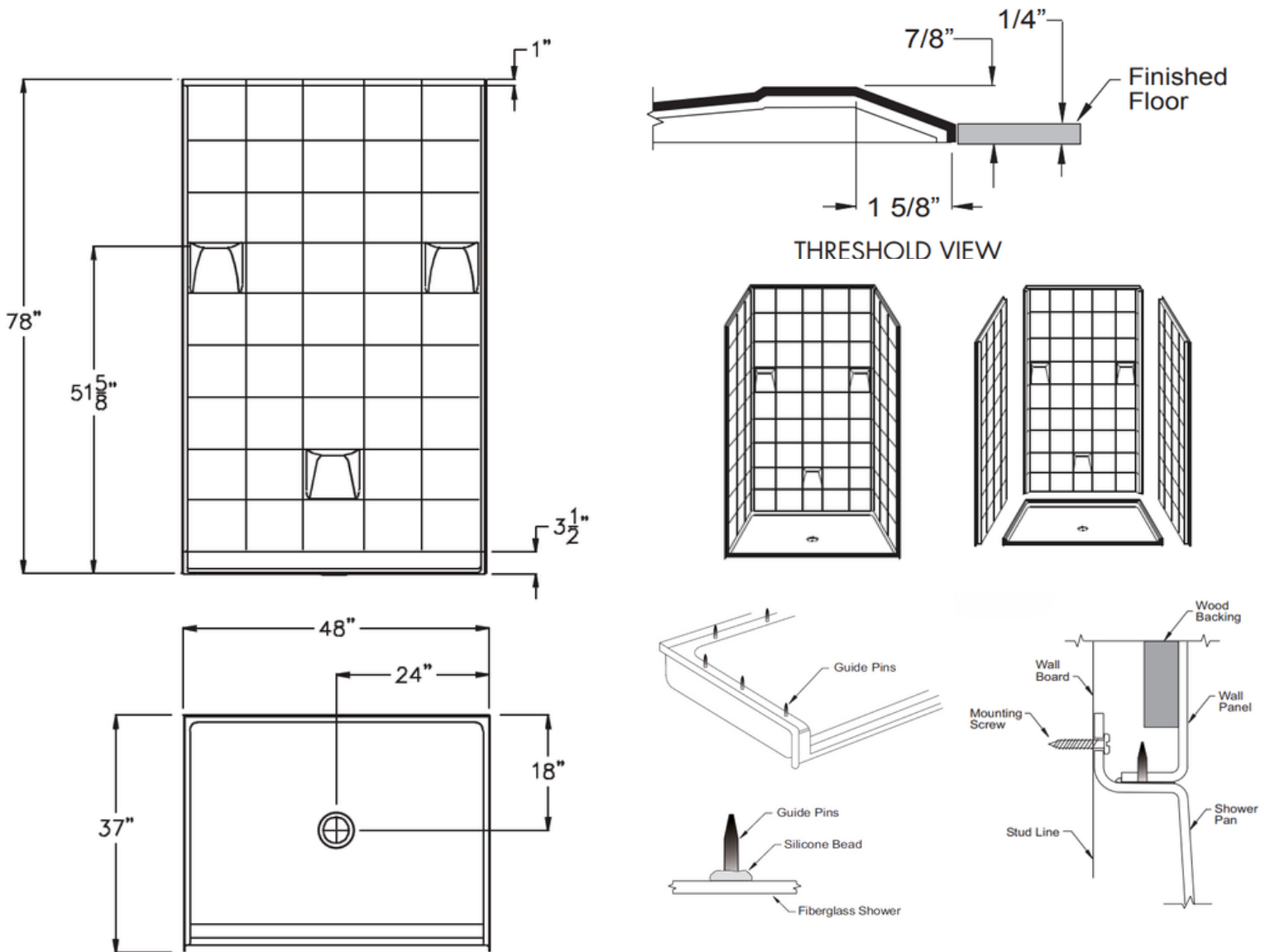
- Collapsible water retainer with end caps
- Weighted shower curtain and rod

#### ACCESSORIES AVAILABLE:

- Fold-up shower bench (various styles)
- Grab bars (various styles and sizes)
- Adjustable handheld shower kit with bar
- ADA pressure-balanced shower valve
- Collapsible water retainer with end caps
- Weighted shower curtain and rod
- Drain and chrome strainer
- Flange trim kit

# Freedom Accessible Shower 48" x 37", Center Drain

MODEL: APF4836BF4P



## NOTES:

Dimensional Tolerance  $\pm 1/2"$ .  
 Accessibility Professionals Inc.  
 assumes no responsibility for prep work

## CODE COMPLIANCE:

- IPC International Plumbing Code
- UPC Uniform Plumbing Code
- ANSI Z124.2 Standards for Plastic Showers
- CSA Canadian Standards Association

## FRAME-IN DIMENSIONS:

A	48 1/4"
B	24 1/8"
C	37"
D	18"

