

Acrylic ADA Transfer Shower Pan 39" x 39" Center Drain

MODEL: APA3939BFPAN

EXTERIOR DIMENSIONS: 39" X 39" X 3"

INTERIOR DIMENSIONS: 36 3/4" X 37 1/4"



FEATURES:

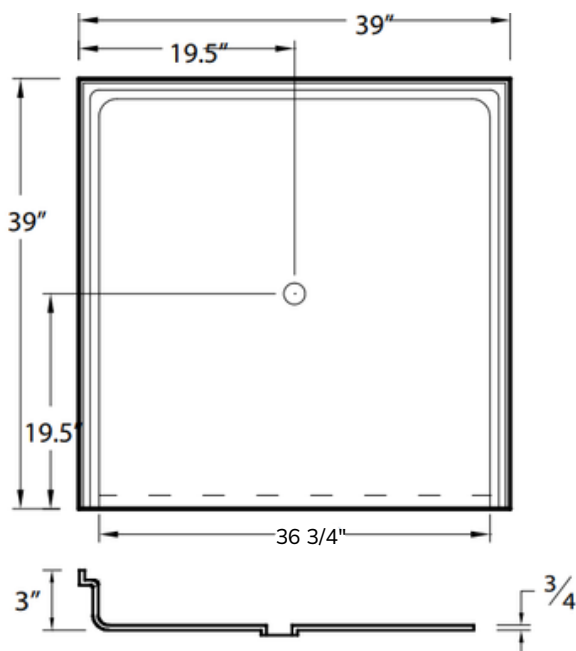
- 3/4" barrier free threshold (requires mudset)
- Acrylic ADA Shower Pan
- Includes polished drain assembly
- Center drain location
- Textured slip resistant floor

ACCESSORIES AVAILABLE:

- Collapsible water retainer with end caps

OPTIONS AVAILABLE:

- Color upgrade to Biscuit



CODE COMPLIANCE:

- ANSI Z124.2 Standards for Plastic Showers
- cULus safety standards

NOTES:

Dimensional Tolerance $\pm 3/8"$.
Drawing not to scale
Accessibility Professionals Inc. assumes
no responsibility for prep work



Made in USA