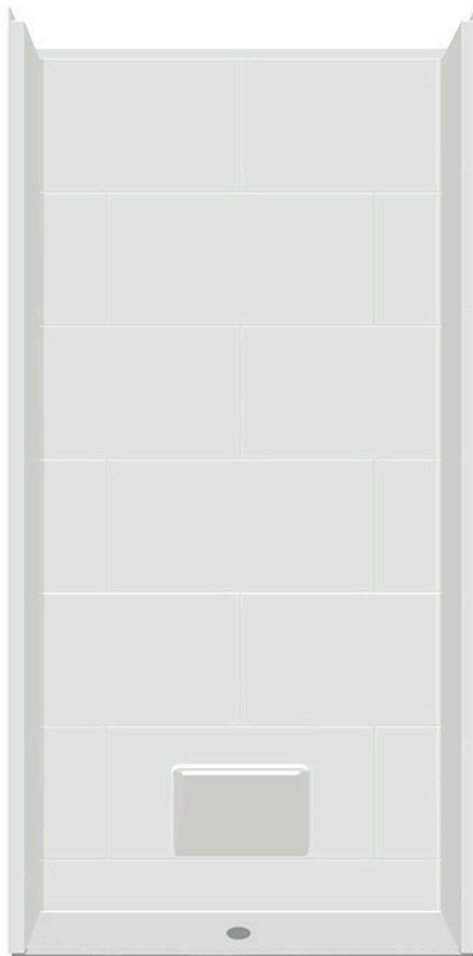


Freedom Transfer Shower 38 5/8" x 38 7/16"

MODEL: APF3838BF4P



Made in USA



30-Year Warranty

EXTERIOR DIMENSIONS:

38 5/8" x 38 7/16" x 78 7/8"

INTERIOR DIMENSIONS:

36" x 36"

FEATURES:

- 4-Piece for remodeling
- 5/8" Barrier free threshold
- Pre-leveled and reinforced shower base for easy installation
- Center drain location
- Fiberglass construction
- Durable, easy-to-clean applied acrylic with architectural subway tile pattern
- Wood backing in the walls offers strength and easy installation of accessories
- This model is **not ADA compliant**

ACCESSORY PACKAGE AVAILABLE:

Residential Safety Package Includes:

- L shaped Fold-up shower bench
- Straight and inside corner Grab bars
- Surface mount soap dish

Water Retention Package Includes:

- Collapsible water retainer and end caps
- Weighted shower curtain and rod

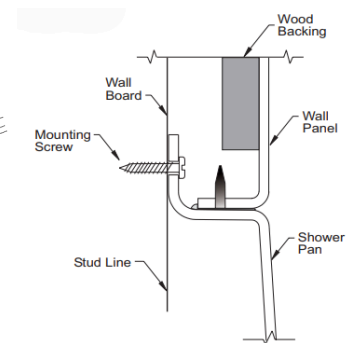
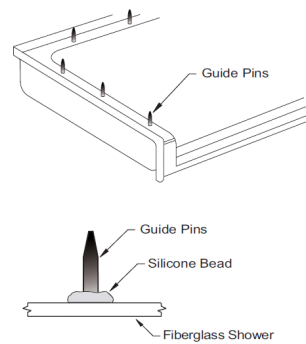
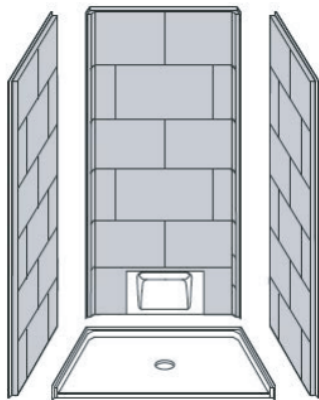
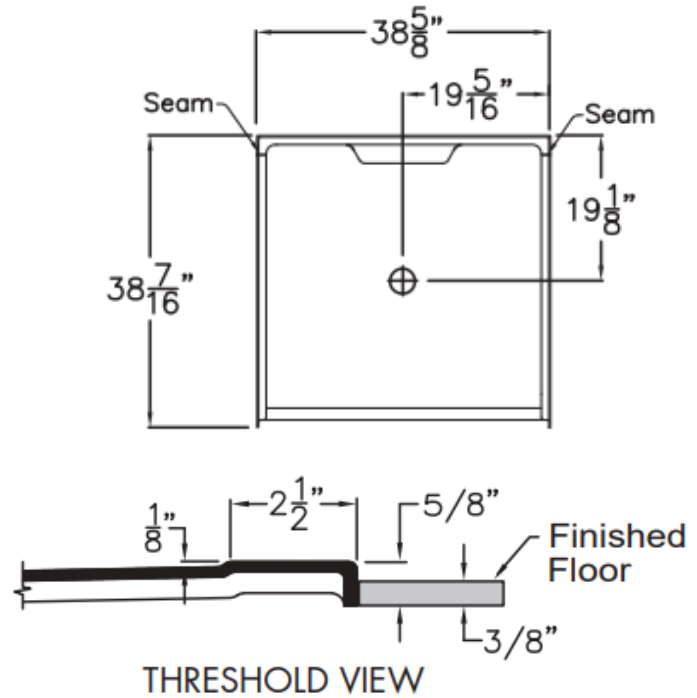
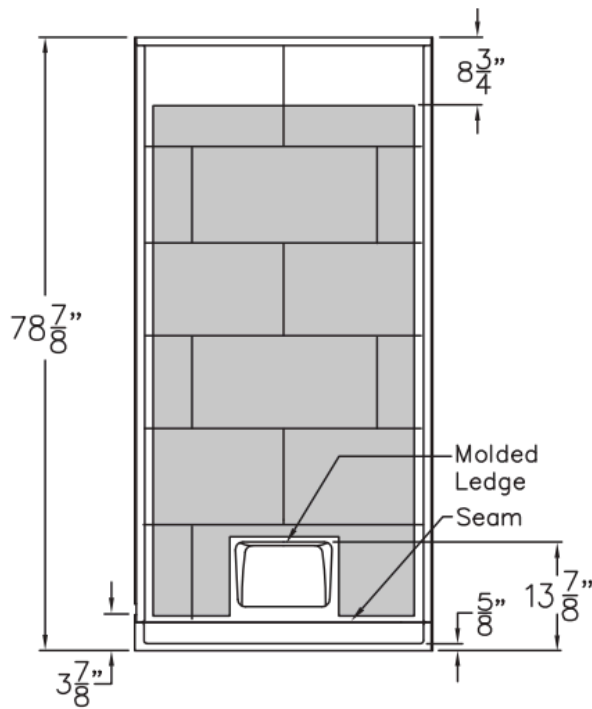
INDIVIDUAL ACCESSORIES AVAILABLE:

- Fold-up shower bench
- Grab bars
- Adjustable handheld shower kit with bar
- Pressure-balanced shower valve
- Collapsible water retainer with end caps
- Weighted shower curtain and rod
- Drain and chrome strainer
- Flange trim kit

Freedom Transfer Shower

38 5/8" x 38 7/16"

MODEL: APF3838BF4P



NOTES:

Dimensional Tolerance $\pm 1/2"$.
 Accessibility Professionals Inc.
 assumes no responsibility for prep work

CODE COMPLIANCE:

- IPC International Plumbing Code
- UPC Uniform Plumbing Code
- ANSI Z124.2 Standards for Plastic Showers
- CSA Canadian Standards Association

FRAME-IN DIMENSIONS:

A	38 7/8"
B	19 7/16"
C	38 7/8"
D	19 1/8"

