

Acrylic ADA Roll-in Shower Pan 66" x 36" Center Drain

MODEL: APA6636BFPAN

EXTERIOR DIMENSIONS: 66" X 36" X 3"

INTERIOR DIMENSIONS: 62 1/2" X 32"



FEATURES:

- 3/4" barrier free threshold (requires mudset)
- Acrylic ADA Shower Pan
- Includes polished drain assembly
- Center drain location
- Textured slip resistant floor

ACCESSORIES AVAILABLE:

- Collapsible water retainer with end caps

OPTIONS:

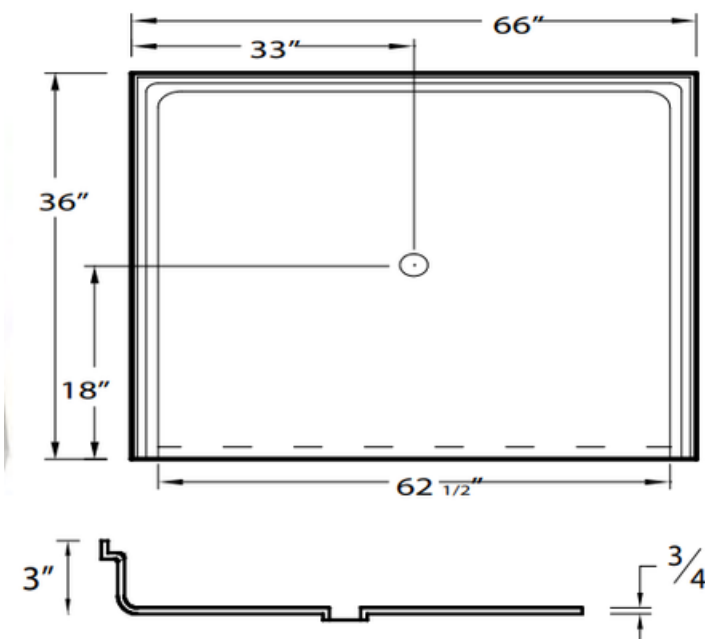
- Color upgrade to Biscuit

CODE COMPLIANCE:

- ANSI Z124.2 Standards for Plastic Showers
- cULus safety standards

NOTES:

Dimensional Tolerance $\pm 3/8"$.
Drawing not to scale
Accessibility Professionals Inc.
assumes no responsibility for prep work



Made in USA