



Freedom ADA Roll In Shower 63" x 34"

MODEL: APFQ6333BF875 LR
FOR VOLUME ORDERS, REFERENCE MODEL: APF6333BF875



Made in USA



30-Year Warranty

ADA compliant with correct ADAAG accessory installation

EXTERIOR DIMENSIONS:

63" x 34" x 78 7/8"

INSIDE DIMENSIONS:

60" x 30"

FEATURES:

- 1-piece for new construction
- 7/8" barrier free threshold with 1/2" change of level
- Pre-leveled and reinforced shower base for easy installation
- Center drain location
- Handed by seat side, left or right (seat available to add)
- 3 molded soap ledges
- Fiberglass construction
- Durable, easy-to-clean applied acrylic with tile pattern
- Fully reinforced walls offer strength and easy installation of accessories

ADA ACCESSORY PACKAGE AVAILABLE:

Factory-installed package includes

- Fold-up L-shaped shower seat
- 3 x Grab bars
- Surface mount soap dish
- Curtain rod
- Drain and chrome strainer

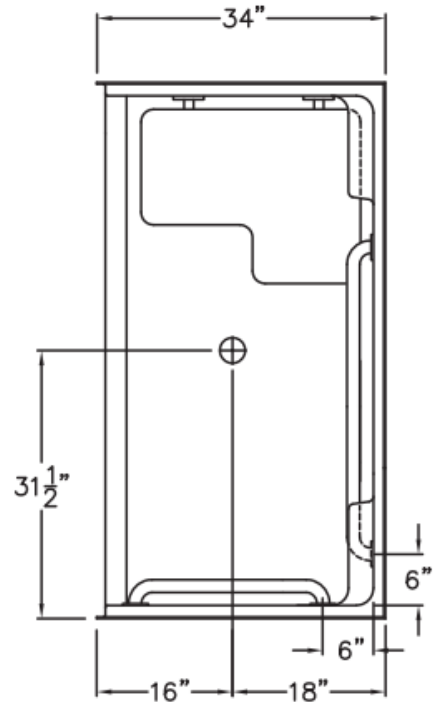
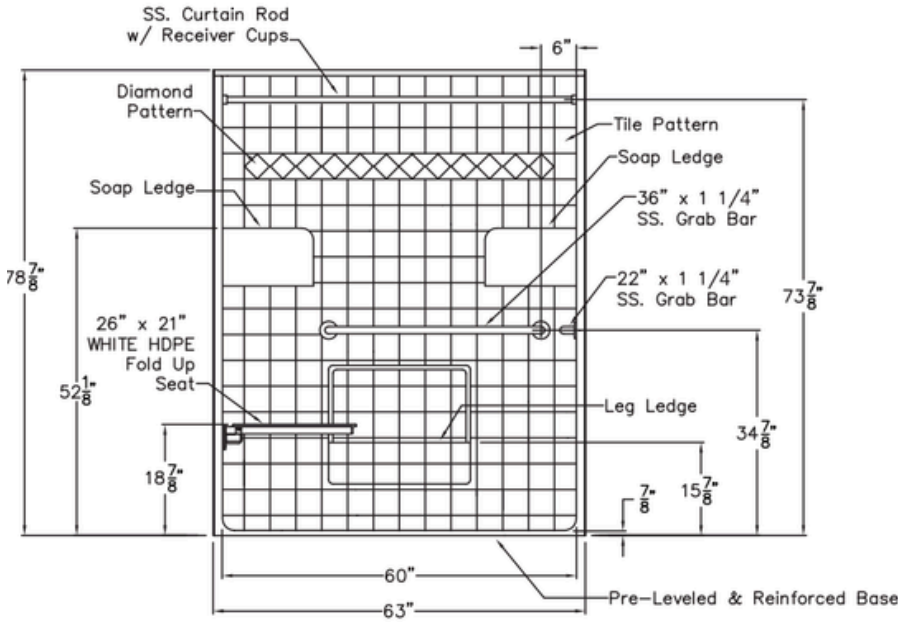
INDIVIDUAL ACCESSORIES AVAILABLE:

- Grab bars
- L-shaped folding shower seat
- Adjustable handheld shower kit with bar
- ADA pressure-balanced shower valve
- Collapsible water retainer with end caps
- Weighted shower curtain and rod
- Drain and chrome strainer
- Flange trim kit

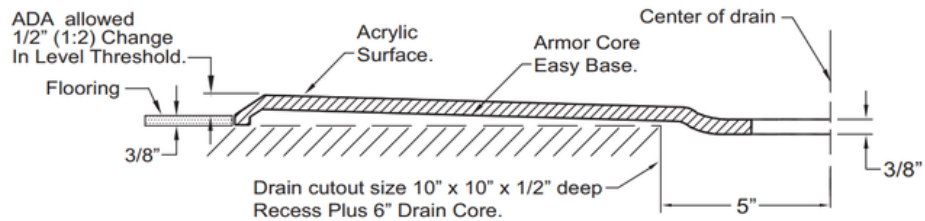
Freedom ADA Roll In Shower

63" x 34"

MODEL: APFQ6333BF875 LR
FOR VOLUME ORDERS, REFERENCE
MODEL: APF6333BF875



Handed by seat, left seat shown
 With optional ADA accessories



Detail Of Threshold

NOTES:

Dimensional Tolerance $\pm 1/2"$.
 Accessibility Professionals Inc.
 assumes no responsibility for prep work

CODE COMPLIANCE:

- ADA Accessibility Guidelines for Buildings and Facilities
- ANSI A117.1 Accessible and Usable Buildings and Facilities
- IPC International Plumbing Code
- UPC Uniform Plumbing Code
- ANSI Z124.2 Standards for Plastic Showers
- CSA Canadian Standards Association

FRAME-IN DIMENSIONS:

A	63 1/4"
B	31 5/8"
C	34"
D	18"

