

Freedom Accessible Corner Shower 61" x 61"

MODEL: APF6060BF3P



EXTERIOR DIMENSIONS:

61" x 61" x 78"

FEATURES:

- 3-piece for remodeling
- 1 1/4" barrier free threshold on two sides for double entry, corner install
- Pre-leveled and reinforced shower base for easy installation
- 3 molded soap ledges
- Center drain location
- Fiberglass construction
- Durable, easy-to-clean applied acrylic with 8" tile pattern
- Fully reinforced backing in walls offers strength and easy installation of accessories

ACCESSORY PACKAGE AVAILABLE:

Residential Safety Package includes:

- Fold-up wall-mounted shower bench
- 3 x Grab bars

INDIVIDUAL ACCESSORIES AVAILABLE:

- Fold-up shower bench (various styles)
- Grab bars (various styles and sizes)
- Adjustable handheld shower kit with bar
- ADA pressure-balanced shower valve
- 10' Collapsible water retainer with end caps
- Weighted shower curtains
- Corner curtain rod with J hook
- Drain and chrome strainer



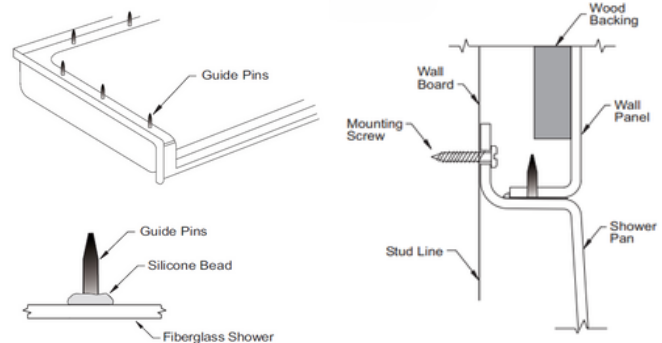
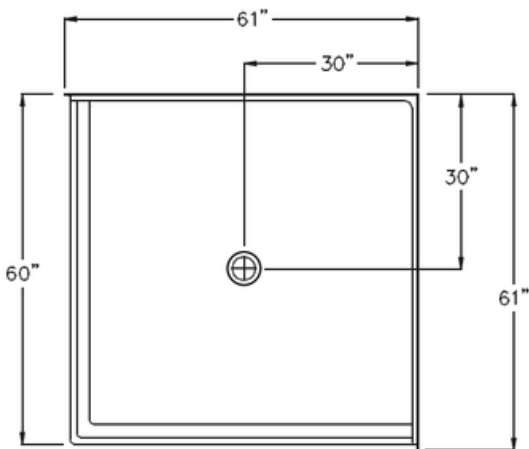
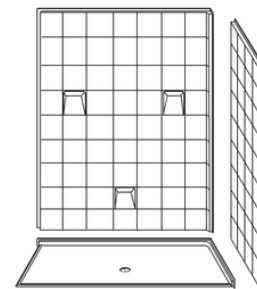
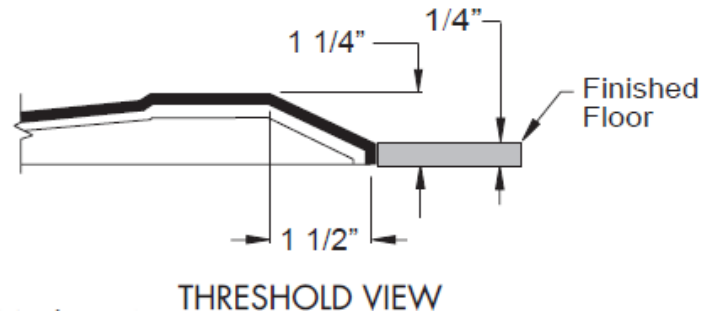
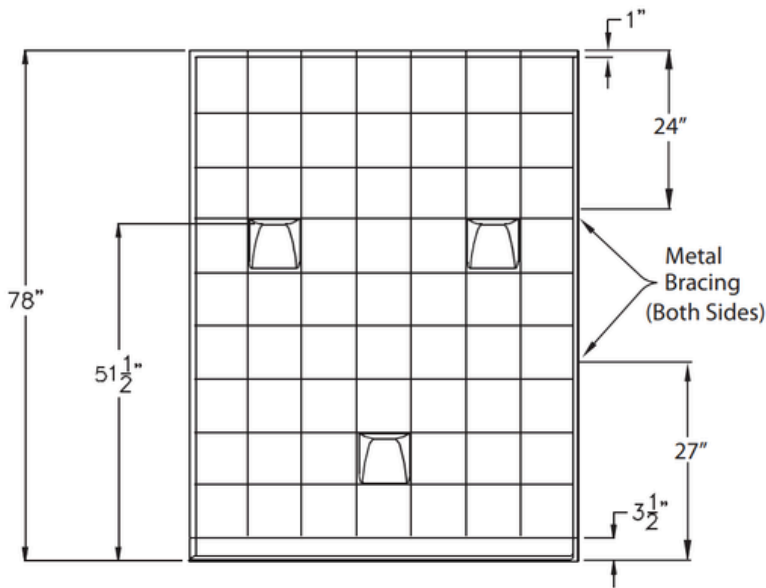
Made in USA



30-Year Warranty

Freedom Accessible Corner Shower 61" x 61"

MODEL: APF6060BF3P



NOTES:

Dimensional Tolerance $\pm 1/2"$.
Accessibility Professionals Inc.
assumes no responsibility for prep work

CODE COMPLIANCE:

- IPC International Plumbing Code
- UPC Uniform Plumbing Code
- ANSI Z124.2 Standards for Plastic Showers
- CSA Canadian Standards Association

FRAME-IN DIMENSIONS:

A	61 1/4"
B	30 1/8"
C	61 1/4"
D	30 1/8"

