

# Freedom Accessible Shower Inspire Series 60" x 32" Left or Right Drain, Flat Back Wall MODEL: APX6032BFK3 LR



Left Drain Option Shown



Made in USA



30-Year Warranty

#### EXTERIOR DIMENSIONS:

60" x 33" x 78"

#### INTERIOR DIMENSIONS:

57" x 26 5/8"

#### FEATURES:

- 5-piece shower for remodeling
- 7/8" barrier free threshold
- Pre-levelled shower base
- Full wood backing for installation of weight bearing accessories
- Fiberglass construction
- Applied acrylic finish with subway tile design
- Textured slip-resistant floor
- Left or right drain location, ideal for bathtub replacement
- Interlock base and wall design
- Drain included, square chrome plate, no caulk
- Flat back wall to accommodate a window
- Accepts conventional shower doors

#### ACCESSORY PACKAGES AVAILABLE:

Residential Safety Package includes:

- Fold-up wall-mounted shower bench
- 3 x Grab bars

Water Retention Package includes:

- Collapsible water retainer with end caps
- Weighted shower curtain and rod

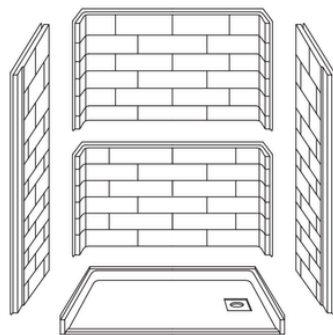
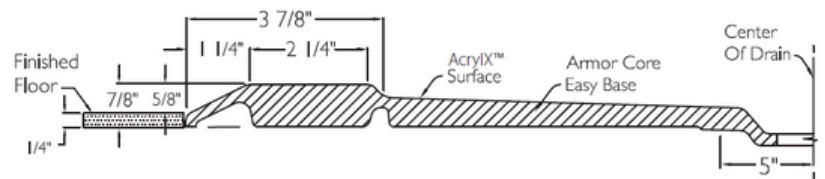
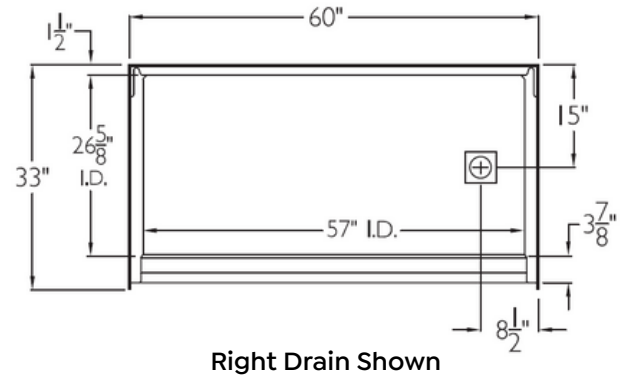
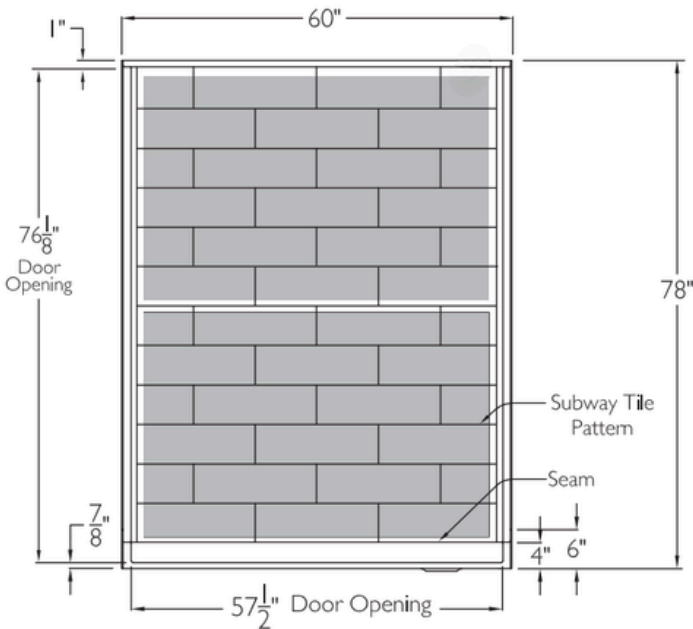
#### INDIVIDUAL ACCESSORIES AVAILABLE:

- Fold-up shower bench (various styles)
- Grab bars (various styles and sizes)
- Adjustable handheld shower kit with bar
- ADA pressure-balanced shower valve
- Collapsible water retainer with end caps
- Weighted shower curtain and rod

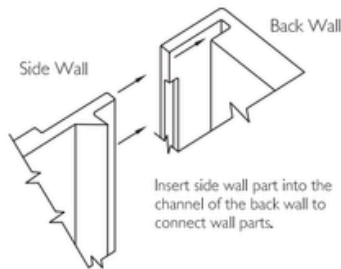
# Freedom Accessible Shower 60" x 32", Left or Right drain

MODEL: APX6032BFK3 LR

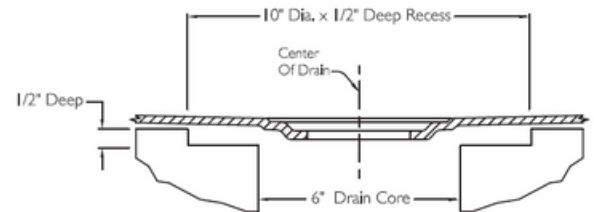
FLAT BACK WALL



Right Drain Shown



COMES WITH NO CAULK DRAIN and Square Strainer Plate  
Cutaway Drain Detail



## NOTES:

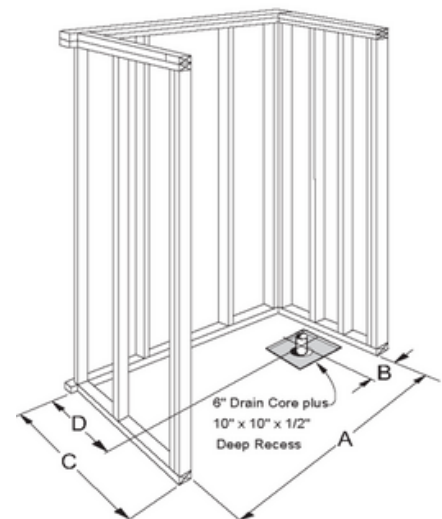
Dimensional Tolerance  $\pm 1/2"$ .  
Accessibility Professionals Inc.  
assumes no responsibility for prep work

## CODE COMPLIANCE:

- IPC International Plumbing Code
- UPC Uniform Plumbing Code
- ANSI Z124.2 Standards for Plastic Showers
- CSA Canadian Standards Association

## FRAME-IN DIMENSIONS:

A	60 1/4"
B	8 9/16"
C	33"
D	15"



Right Drain Shown